



Chipsmall Limited consists of a professional team with an average of over 10 year of expertise in the distribution of electronic components. Based in Hongkong, we have already established firm and mutual-benefit business relationships with customers from,Europe,America and south Asia,supplying obsolete and hard-to-find components to meet their specific needs.

With the principle of "Quality Parts,Customers Priority,Honest Operation,and Considerate Service",our business mainly focus on the distribution of electronic components. Line cards we deal with include Microchip,ALPS,ROHM,Xilinx,Pulse,ON,Everlight and Freescale. Main products comprise IC,Modules,Potentiometer,IC Socket,Relay,Connector.Our parts cover such applications as commercial,industrial, and automotives areas.

We are looking forward to setting up business relationship with you and hope to provide you with the best service and solution. Let us make a better world for our industry!



Contact us

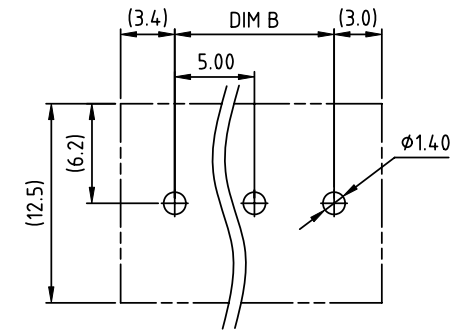
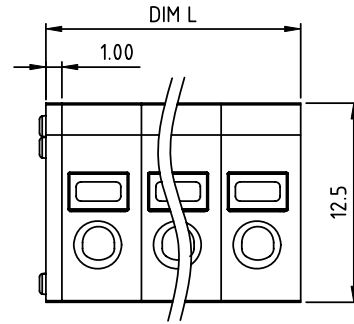
Tel: +86-755-8981 8866 Fax: +86-755-8427 6832

Email & Skype: info@chipsmall.com Web: www.chipsmall.com

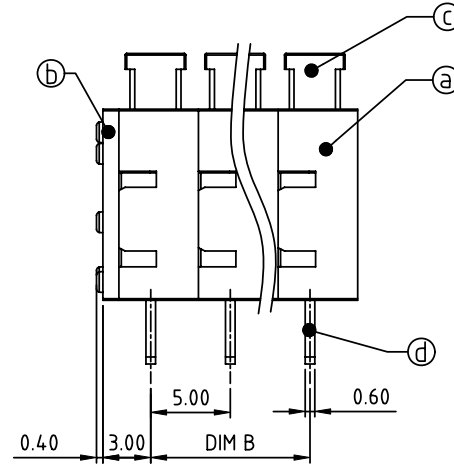
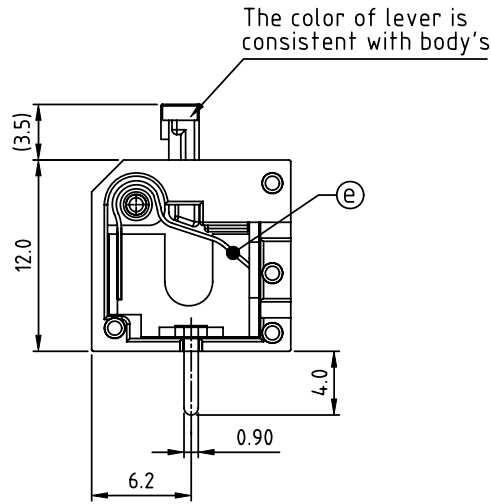
Address: A1208, Overseas Decoration Building, #122 Zhenhua RD., Futian, Shenzhen, China



PRODUCT NUMBER	PITCH
HXxx00x000JOG	5.00 mm



RECOMMENDED P.C.B LAYOUT
TOP VIEW



Material:

- Item (a) Insulating body: Thermoplastic (UL94V-0)
- Item (b) Insulating cover: Thermoplastic (UL94V-0)
- Item (c) Insulating lever: Thermoplastic (UL94V-0)
- Item (d) Solder pin: Brass, Tin plated
- Item (e) Spring clamp: Stainless steel

Electrical cULus

- Voltage rating: 300V
- Current rating: 8A
- Wire range:
- Solid wire (AWG): 16-26
- Stranded wire (AWG): 16-26
- Wire strip length: 6-7mm
- Withstanding Voltage: 1.6KV
- Operating temperature: -40°C to +115°C
- Soldering temperature: 260°C ± 5°C / 5 Sec
- Safety Approval:

N=Number of poles
Dim L=(N-1)×5.0+6.0
Dim B=(N-1)×5.0

Poles	Tolerance
1-4p	±0.15
5-9p	±0.20
10-14p	±0.30
15-19p	±0.40
20-24p	±0.50

PART NO.: HX xx 00 x 0 00J0 G

	End stackable	No. of poles	Color	RoHS compliant
0	0	2	Black (RAL9005)	(lead<4%) In copper Alloy
01	1 poles	3	Red (RAL3001/D)	
02	2 poles	4	Orange (RAL2011/P)	
...	...	5	Yellow (RAL1018/A)	
24	24 poles	6	Green (RAL6018/T)	
		8	Blue (RAL5015/A)	
		9	Grey (RAL7004/P)	
		9	White (RAL1102)	
		C	Multiple colors	

mat'l. code		surface ASME Y14.5	tolerance ASME Y14.5	projection 	product family TERMINAL BLOCK
ltr	ecn no	dr	date	MM	title TERMINAL BLOCK SPRING CLAMP, 90D WIRE INLET
		angles	$X \pm 0.5$	scale	dwg no HXxx00x000JOG
		$X^* \pm 1^*$	$X.X \pm 0.3$		
		dr	EVIN ZHONG 052614		sheet 1 of 1
		enr	EVIN ZHONG 052614		size A4
		chr	HANKE FENG 052614		type CUSTOMER Drawing
		appd	SHI JUN 052614		
sheet index	revision sheet	A	1		