



Chipsmall Limited consists of a professional team with an average of over 10 year of expertise in the distribution of electronic components. Based in Hongkong, we have already established firm and mutual-benefit business relationships with customers from,Europe,America and south Asia,supplying obsolete and hard-to-find components to meet their specific needs.

With the principle of “Quality Parts,Customers Priority,Honest Operation,and Considerate Service”,our business mainly focus on the distribution of electronic components. Line cards we deal with include Microchip,ALPS,ROHM,Xilinx,Pulse,ON,Everlight and Freescale. Main products comprise IC,Modules,Potentiometer,IC Socket,Relay,Connector.Our parts cover such applications as commercial,industrial, and automotives areas.

We are looking forward to setting up business relationship with you and hope to provide you with the best service and solution. Let us make a better world for our industry!



## Contact us

Tel: +86-755-8981 8866 Fax: +86-755-8427 6832

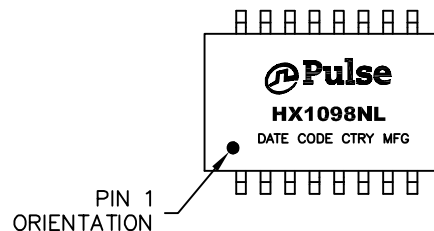
Email & Skype: info@chipsmall.com Web: www.chipsmall.com

Address: A1208, Overseas Decoration Building, #122 Zhenhua RD., Futian, Shenzhen, China



NOTES:

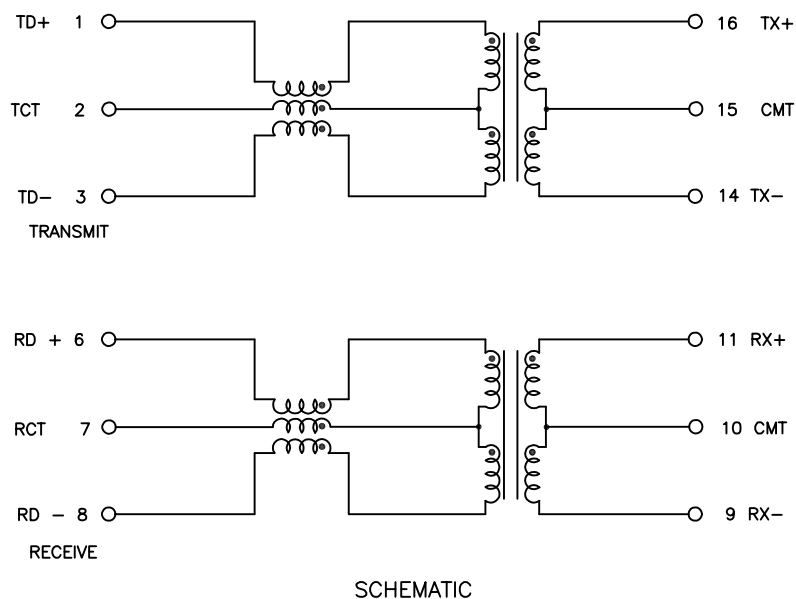
1. ROHS COMPLIANT
2. PLASTIC: THERMOSET PLASTIC MATERIAL WITH FLAMMABILITY RATING UL 94V-0 OR BETTER.
3. STORAGE TEMPERATURE: -50°C TO +125°C
4. COMPLIANCE TO J-STD:
  - A. J-STD-002: SOLDERABILITY AT 245°C REFLOW PROFILE
  - B. J-STD-020: LEVEL 1, NO MOISTURE SENSITIVE
  - C. J-STD-075: R7, 245°C MAXIMUM THROUGH REFLOW SOLDER
5. TO ORDER TAPE & REEL PACKAGING ADD A "T" SUFFIX TO THE PART NUMBER(i.e HX1098NL BECOMES HX1098NLT).



FINAL OUTLINE

© Copyright, 2015. Pulse Electronics Corp. All rights reserved. Pulse confidential & proprietary. (12/09/15)

| PRODUCT DESCRIPTION    | TLA DRAWING | PS DRAWING    | SHEET  | PART NO. | DATASHEET REV. |
|------------------------|-------------|---------------|--------|----------|----------------|
| MDL,SIN,100D,1:1,SM,TU | HX1098NL-10 | PS-2266.001-A | 1 OF 3 | HX1098NL | A              |



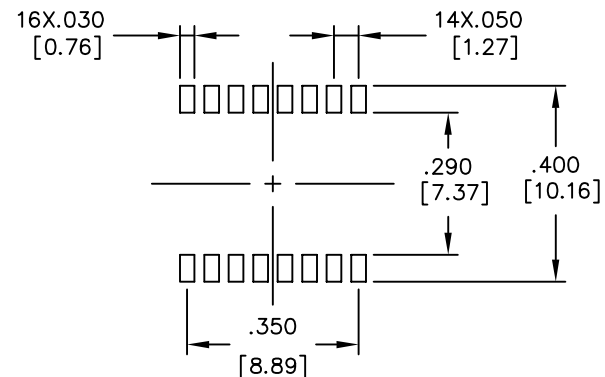
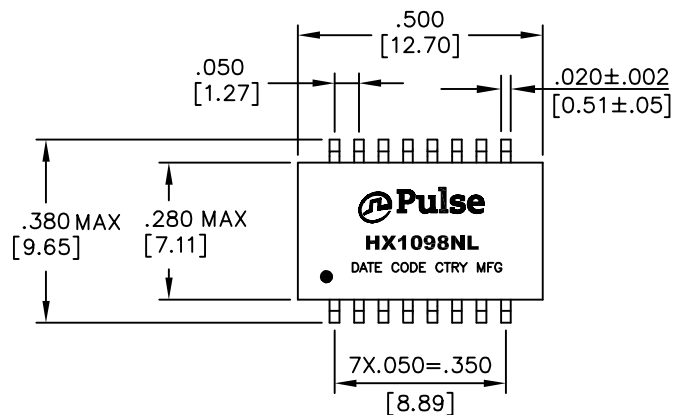
ELECTRICAL CHARACTERISTICS AT +25°C UNLESS OTHER SPECIFIED  
MEETS IEEE 802.3 SPECIFICATION

| PARAMETER  | SPECIFICATIONS  |  |              |            |
|--|---|--|--------------|------------|
| OPERATING TEMPERATURE                            | -45°C ~ +85°C   |  |              |            |
| TURNS RATIO                                      | 1.00 ± 2%   |  |              |            |
| POLARITY   | PER SCHEMATIC   |  |              |            |
| INSERTION LOSS                                   | 100 KHz   | 1-125 MHz                              |              |            |
|  | -1.2 dB MAX   | -0.2-0.002*f <sup>1.4</sup> dB MAX     |              |            |
| RETURN LOSS<br>(Z OUT = 100 OHM ±15%)            | .1-30 MHz   | 60 MHz                                 | 80 MHz       | 100 MHz    |
|  | -18 dB MIN  | -14.4 dB MIN                           | -13.1 dB MIN | -12 dB MIN |
| INDUCTANCE (OCL)<br>(MEDIA SIDE, -40°C TO +85°C) | 350 uH MIN (MEASURED AT 100 KHz, 100 mVRMS)<br>WITH 8mA DC BIAS |  |              |            |
| CROSSTALK, ADJACENT<br>CHANNELS                  | 1 MHz   | 10-100 MHz                             |              |            |
|  | -50 dB MIN  | -55+22*LOG <sub>10</sub> (f/10) dB MIN |              |            |
| COMMON MODE<br>REJECTION RATIO                   | .1-30 MHz   | 60 MHz                                 | 100 MHz      | 200 MHz    |
|  | -50 dB MIN  | -43 dB MIN                             | -40 dB MIN   | -25 dB MIN |
| DC RESISTANCE,<br>1/2 WINDING                    | .65 OHMS MAX  |  |              |            |
| DC RESISTANCE<br>IMBALANCE                       | ±.065 OHMS MAX (CENTER TAP SYMMETRY)                            |  |              |            |
| INPUT - OUTPUT<br>ISOLATION                      | 1500 VRMS MIN @ 60 SECONDS                                      |  |              |            |

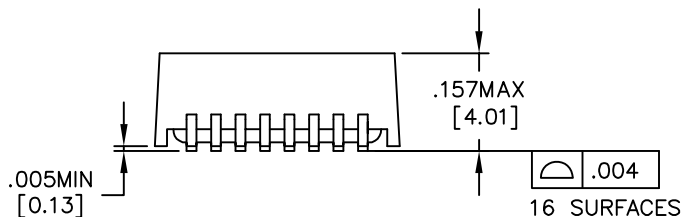
NOTE: f IS FREQUENCY IN MHZ.

© Copyright, 2015. Pulse Electronics Corp. All rights reserved. Pulse confidential & proprietary. (12/09/15)

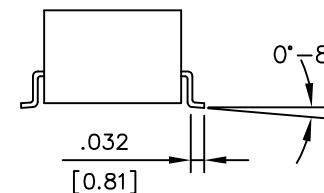
| PRODUCT DESCRIPTION    | TLA DRAWING | PS DRAWING    | SHEET  | PART NO. | DATASHEET REV. |
|------------------------|-------------|---------------|--------|----------|----------------|
| MDL,SIN,100D,1:1,SM,TU | HX1098NL-10 | PS-2266.001-A | 2 OF 3 | HX1098NL | A              |



SUGGESTED PAD LAYOUT



(WASH AREA: The lowest point of FG to sitting plane)



DIMENSIONS ARE IN INCHES [MILLIMETERS] WITH THE FOLLOWING TOLERANCES: [MILLIMETERS] ARE FOR REFERENCE ONLY.

.XX =  $\pm .01$  [ $\pm 0.25$ ]

.XXX =  $\pm .005$  [ $\pm 0.13$ ]

© Copyright, 2015. Pulse Electronics Corp. All rights reserved. Pulse confidential & proprietary. (12/09/15)

| PRODUCT DESCRIPTION    | TLA DRAWING | PS DRAWING    | SHEET  | PART NO. | DATASHEET REV. |
|------------------------|-------------|---------------|--------|----------|----------------|
| MDL,SIN,100D,1:1,SM,TU | HX1098NL-10 | PS-2266.001-A | 3 OF 3 | HX1098NL | A              |