



Chipsmall Limited consists of a professional team with an average of over 10 year of expertise in the distribution of electronic components. Based in Hongkong, we have already established firm and mutual-benefit business relationships with customers from,Europe,America and south Asia,supplying obsolete and hard-to-find components to meet their specific needs.

With the principle of “Quality Parts,Customers Priority,Honest Operation,and Considerate Service”,our business mainly focus on the distribution of electronic components. Line cards we deal with include Microchip,ALPS,ROHM,Xilinx,Pulse,ON,Everlight and Freescale. Main products comprise IC,Modules,Potentiometer,IC Socket,Relay,Connector.Our parts cover such applications as commercial,industrial, and automotives areas.

We are looking forward to setting up business relationship with you and hope to provide you with the best service and solution. Let us make a better world for our industry!



Contact us

Tel: +86-755-8981 8866 Fax: +86-755-8427 6832

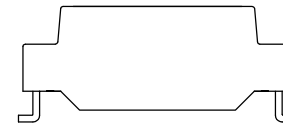
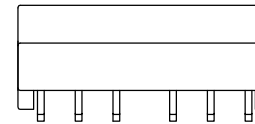
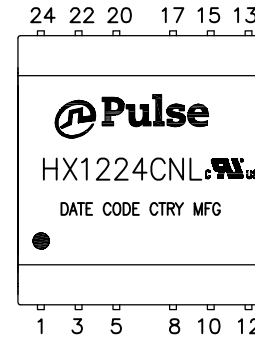
Email & Skype: info@chipsmall.com Web: www.chipsmall.com

Address: A1208, Overseas Decoration Building, #122 Zhenhua RD., Futian, Shenzhen, China



NOTES:

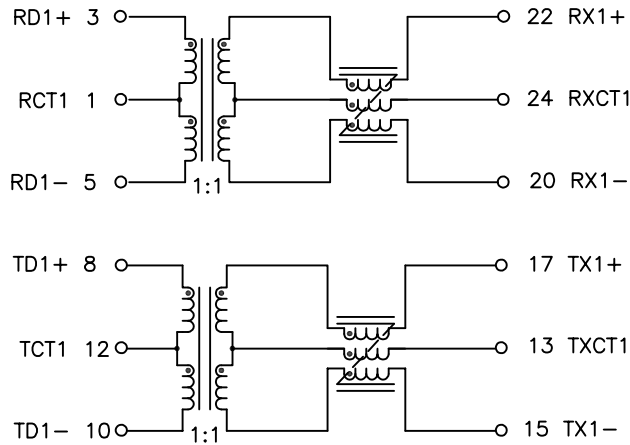
1. ROHS COMPLIANT
2. DESIGNED TO AND COMPLIES WITH UL FOR BASIC
3. HEADER: DAP (DIALLYL PHTHALATE) WITH FLAMMABILITY RATING UL 94V-0 OR BETTER.
LEADS: UNDERPLATE: 30-50 μINCHES FOR NICKEL PLATING: 200-500 μINCHES 100% TIN.
4. STORAGE TEMPERATURE: -50°C TO +125°C
5. COMPLIANCE TO J-STD:
 - A. J-STD-002: SOLDERABILITY AT 245°C REFLOW PROFILE
 - B. J-STD-020: LEVEL 1, NO MOISTURE SENSITIVE
 - C.
6. TO ORDER TAPE & REEL PACKAGING ADD A "T" SUFFIX TO THE PART NUMBER(i.e HX1224CNL BECOMES HX1224CNLT).



FINAL OUTLINE

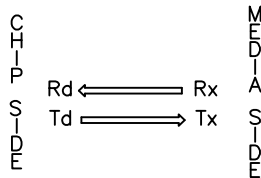
© Copyright, 2016. Pulse Electronics Corp. All rights reserved. Pulse confidential & proprietary. (06/12/16)

PRODUCT DESCRIPTION	TLA DRAWING	PS DRAWING	SHEET	PART NO.	DATASHEET REV.
MDL,SIN,100D,1:1,4KV,SM,TU	HX1224CNL-10	PS-2611.001-D	1 OF 3	HX1224CNL	B



SCHEMATIC

LEGEND



ALL CHANNELS ARE
IN-PHASE BETWEEN
INPUT AND OUTPUT

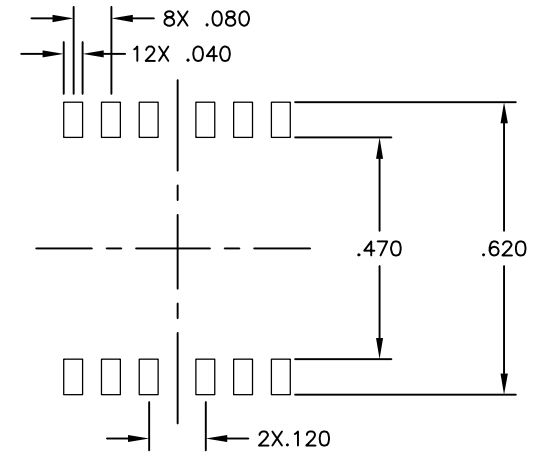
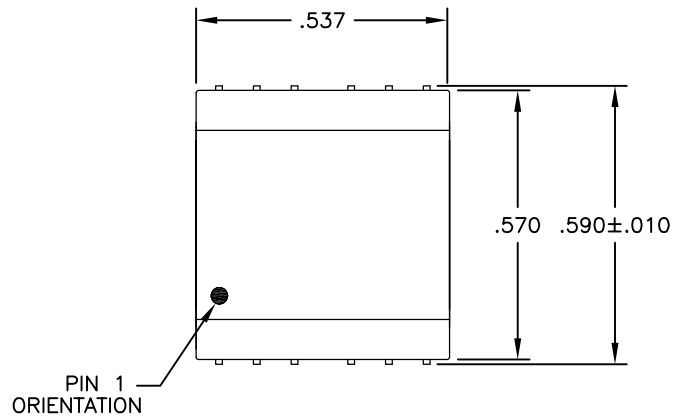
ELECTRICAL CHARACTERISTICS AT +25°C UNLESS OTHER SPECIFIED
MEETS IEEE 802.3 SPECIFICATION

PARAMETER	SPECIFICATIONS			
OPERATION TEMP	-40°C TO +85°C			
TURNS RATIO	1 : 1 ±2%			
POLARITY	PER SCHEMATIC			
OCL, TRANSMIT CHANNEL -40 TO +85 °C	350 uH MIN. AT 100KHz, 0.1VRMS WITH 8mA DC BIAS			
INSERTION LOSS	100 KHz	1-80 MHz	100 MHz	125 MHz
	-1.2 dB MAX	-1.0 dB MAX	-1.4 dB MAX	-3.0 dB MAX
RETURN LOSS (Z OUT = 100 OHM ±15%)	.5-15 MHz	30-45 MHz	45-60 MHz	60-80 MHz
	-18 dB MIN	-14 dB MIN	-10 dB MIN	-6 dB MIN
CROSSTALK (TX-RX)	1 MHz	30-100 MHz		
	-50 dB MIN	-55+24*LOG ₁₀ (f/10 MHz) dB MIN		
DIFFERENTIAL TO COMMON MODE REJECTION	2 MHz	30-100 MHz		
	-50 dB MIN	-43+22*LOG ₁₀ (f/30 MHz) dB MIN		
DCR	PIN 1 AND PINS 3, 5 = 0.6 OHM MAX			
	PIN 12 AND PINS 8, 10 = 0.6 OHM MAX			
	PIN 24 AND PINS 22, 20 = 1.2 OHMS MAX			
	PIN 13 AND PINS 15, 17 = 1.2 OHMS MAX			
LEAKAGE INDUCTANCE @100KHz, 20mVRMS	PINS (3-5) WITH PINS (22-20) SHORTED = 0.35 uH MAX			
	PINS (8-10) WITH PINS (17-15) SHORTED = 0.35 uH MAX			
INPUT - OUTPUT ISOLATION	4000 VRMS FOR 1 MINUTE			

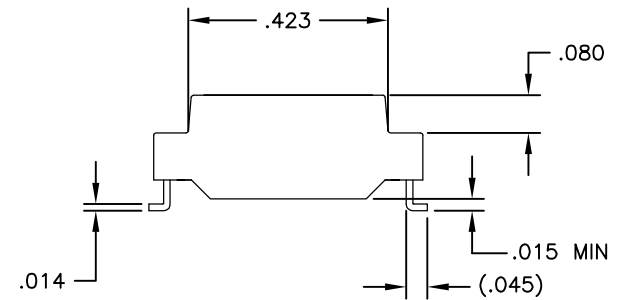
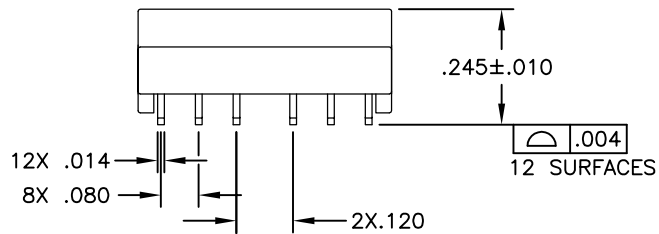
NOTE: f IS FREQUENCY IN MHz.

© Copyright, 2016. Pulse Electronics Corp. All rights reserved. Pulse confidential & proprietary. (06/12/16)

PRODUCT DESCRIPTION	TLA DRAWING	PS DRAWING	SHEET	PART NO.	DATASHEET REV.
MDL,SIN,100D,1:1,4KV,SM,TU	HX1224CNL-10	PS-2611.001-D	2 OF 3	HX1224CNL	B



RECOMMENDED PAD LAYOUT



DIMENSIONS ARE IN INCHES WITH THE FOLLOWING
TOLERANCES:
.XX= ±.01
.XXX= ±.005

© Copyright, 2016. Pulse Electronics Corp. All rights reserved. Pulse confidential & proprietary. (06/12/16)

PRODUCT DESCRIPTION	TLA DRAWING	PS DRAWING	SHEET	PART NO.	DATASHEET REV.
MDL,SIN,100D,1:1,4KV,SM,TU	HX1224CNL-10	PS-2611.001-D	3 OF 3	HX1224CNL	B