



Chipsmall Limited consists of a professional team with an average of over 10 year of expertise in the distribution of electronic components. Based in Hongkong, we have already established firm and mutual-benefit business relationships with customers from,Europe,America and south Asia,supplying obsolete and hard-to-find components to meet their specific needs.

With the principle of "Quality Parts,Customers Priority,Honest Operation,and Considerate Service",our business mainly focus on the distribution of electronic components. Line cards we deal with include Microchip,ALPS,ROHM,Xilinx,Pulse,ON,Everlight and Freescale. Main products comprise IC,Modules,Potentiometer,IC Socket,Relay,Connector.Our parts cover such applications as commercial,industrial, and automotives areas.

We are looking forward to setting up business relationship with you and hope to provide you with the best service and solution. Let us make a better world for our industry!



Contact us

Tel: +86-755-8981 8866 Fax: +86-755-8427 6832

Email & Skype: info@chipsmall.com Web: www.chipsmall.com

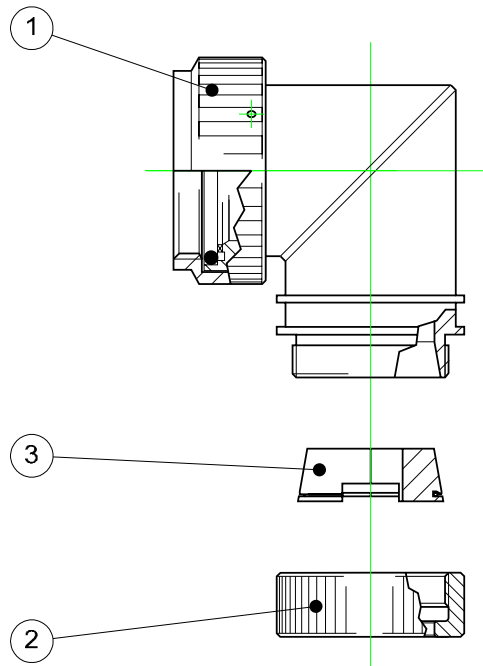
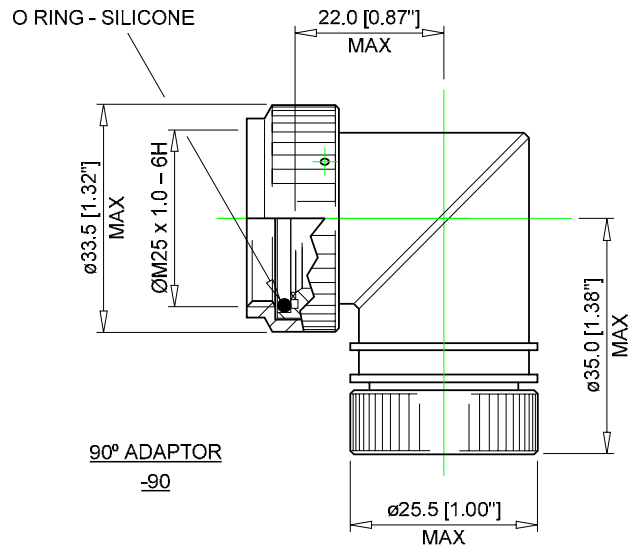
Address: A1208, Overseas Decoration Building, #122 Zhenhua RD., Futian, Shenzhen, China




CUSTOMER DRAWING

REV:
A

DATE:
Aug 21, 2008



© 2008 Tyco Electronics. All rights reserved.

		<p>Raychem Wire and Harnessing Products 300 Constitution Drive Menlo Park, CA 94025, USA</p>		<p>TITLE: HEXASHIELD ADAPTOR FOR CODE 40 CONNECTOR – O/NO E 17 PLAIN CLAMPING NUT</p>		
<p>UNLESS OTHERWISE SPECIFIED DIMENSIONS ARE IN MILLIMETERS. INCH DIMENSIONS ARE SHOWN IN BRACKETS</p>		<p>Tyco Electronics reserves the right to amend this drawing at any time. Users should evaluate the suitability of the product for their application.</p>		<p>DOCUMENT NO. HXS120-AY-90-17-A1-1</p>		
<p>DRAWN: IRT</p>	<p>DATE: JAN 08</p>	<p>CAGE CODE: 06090</p>	<p>DCR # ECO-08-019355</p>	<p>FILE: 87002/120</p>	<p>SCALE: NONE</p>	<p>SHEET: 1 OF 3</p>

If this document is printed it becomes uncontrolled. Check for the latest revision

CUSTOMER DRAWING

REV:
ADATE:
Aug 21, 2008

KIT DESCRIPTION

ITEM	DESCRIPTION	MATERIAL
1	BODY ASSEMBLY	ALUMINIUM ALLOY
2	CLAMPING NUT – PLAIN	ALUMINIUM ALLOY
3	CONIC RING	ALUMINIUM ALLOY

ORDER INFORMATION

Order Number	Shell Size		Ferrule Quantity (See Application)
	Mil.	Com.	
17	E	17	1

PART NUMBERING

HXS120 - A B - 90 - 17 - A1 - 1

- SEQUENTIAL NUMBER _____
SEE APPLICATION FOR MATING INFORMATION
- MATERIAL CODE: _____
A = ALUMINIUM ALLOY
- PLATING CODE: _____
B = CADMIUM OLIVE DRAB TO SAE-AMS-QQ-P416
C = ELECTROLESS NICKEL TO SAE-AMS-C-26074
- BODY STYLE _____
90 = 90°
- ORDER NUMBER _____
- FERRULE QUANTITY CODE – SEE APPLICATION _____
- 1 = PLAIN CLAMPING NUT _____


APPLICATION

- This adaptor is designed to be mounted on the following connectors:

MIL-DTL-38999 series III and IV Shell Size E (17).

- It is qualified to the Raychem specification RB-114, when installed on metallic MIL-Specification circular connectors only.
- It is designed primarily for open wire bundle installations but is also designed to accept Raychem heat shrink moulded parts where strain relief and sealing is required – see illustration on sheet 3.

© 2008 Tyco Electronics. All rights reserved.

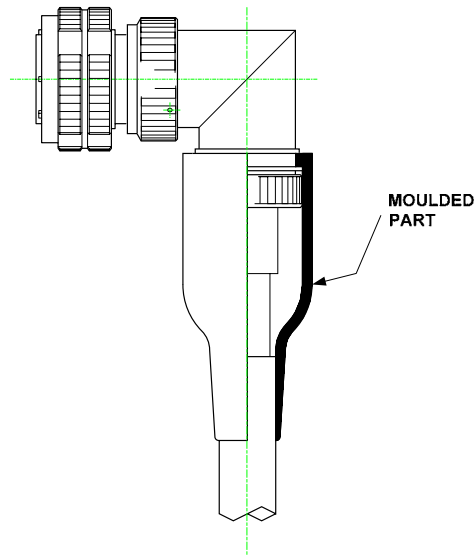
 Tyco Electronics			Raychem Wire and Harnessing Products 300 Constitution Drive Menlo Park, CA 94025, USA			TITLE: HEXASHIELD ADAPTOR FOR CODE 40 CONNECTOR – O/NO E 17 PLAIN CLAMPING NUT		
UNLESS OTHERWISE SPECIFIED DIMENSIONS ARE IN MILLIMETERS. INCH DIMENSIONS ARE SHOWN IN BRACKETS			Tyco Electronics reserves the right to amend this drawing at any time. Users should evaluate the suitability of the product for their application.			DOCUMENT NO. HXS120-AY-90-17-A1-1		
DRAWN: IRT	DATE: JAN 08	CAGE CODE: 06090	DCR # ECO-08-019355	FILE: 87002/120	SCALE: NONE	SHEET: 2 OF 3		

If this document is printed it becomes uncontrolled. Check for the latest revision

CUSTOMER DRAWING

REV:
A

DATE:
Aug 21, 2008



- Use in conjunction with the ferrule HET-A-05X **ONLY**, which are purchased separately. Refer to HET-A-05X S.C.D. for relevant details.

INSTALLATION

- See Installation Procedure RPIP-696-07 (45° or 90° bodies) for assembly.
- See Installation Procedure RPIP-696-00 for cable termination.


PACKAGING

- All components are supplied in a plastic bag.

NOTES!

1. Assembly to be permanently marked with Code Identity Number and Part Number.
(e.g. 06090 HXS120-AB-90-17-A1-1)

© 2008 Tyco Electronics. All rights reserved.

		Raychem Wire and Harnessing Products 300 Constitution Drive Menlo Park, CA 94025, USA		TITLE: HEXASHIELD ADAPTOR FOR CODE 40 CONNECTOR – O/NO E 17 PLAIN CLAMPING NUT		
UNLESS OTHERWISE SPECIFIED DIMENSIONS ARE IN MILLIMETERS. INCH DIMENSIONS ARE SHOWN IN BRACKETS		Tyco Electronics reserves the right to amend this drawing at any time. Users should evaluate the suitability of the product for their application.		DOCUMENT NO. HXS120-AY-90-17-A1-1		
DRAWN: IRT	DATE: JAN 08	CAGE CODE: 06090	DCR # ECO-08-019355	FILE: 87002/120	SCALE: NONE	SHEET: 3 OF 3

If this document is printed it becomes uncontrolled. Check for the latest revision