



Chipsmall Limited consists of a professional team with an average of over 10 year of expertise in the distribution of electronic components. Based in Hongkong, we have already established firm and mutual-benefit business relationships with customers from,Europe,America and south Asia,supplying obsolete and hard-to-find components to meet their specific needs.

With the principle of “Quality Parts,Customers Priority,Honest Operation,and Considerate Service”,our business mainly focus on the distribution of electronic components. Line cards we deal with include Microchip,ALPS,ROHM,Xilinx,Pulse,ON,Everlight and Freescale. Main products comprise IC,Modules,Potentiometer,IC Socket,Relay,Connector.Our parts cover such applications as commercial,industrial, and automotives areas.

We are looking forward to setting up business relationship with you and hope to provide you with the best service and solution. Let us make a better world for our industry!



Contact us

Tel: +86-755-8981 8866 Fax: +86-755-8427 6832

Email & Skype: info@chipsmall.com Web: www.chipsmall.com

Address: A1208, Overseas Decoration Building, #122 Zhenhua RD., Futian, Shenzhen, China

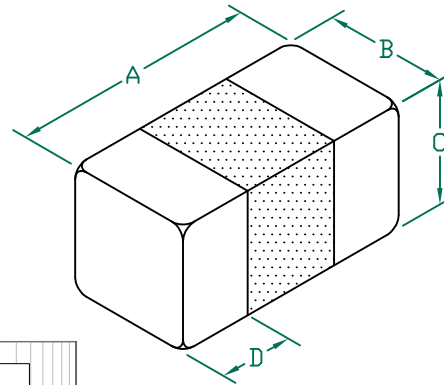


HZ0402B102R-10

UNCONTROLLED DOCUMENT

PHYSICAL DIMENSIONS:

A	1.01 [.040]	\pm	0.18 [.007]
B	0.50 [.020]	\pm	0.20 [.008]
C	0.50 [.020]	\pm	0.20 [.008]
D	0.30 [.012]		MAX.

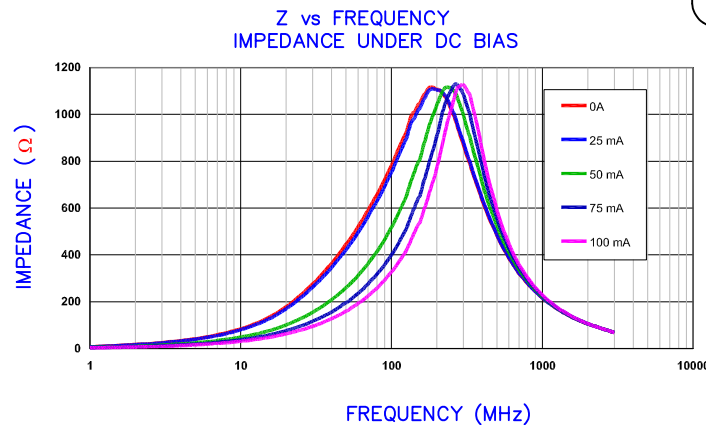


ELECTRICAL CHARACTERISTICS:

Z @ 100MHz (Ω)	DCR (Ω)	RATED CURRENT
Nominal	1000	
Minimum	750	
Maximum	1250	200mA

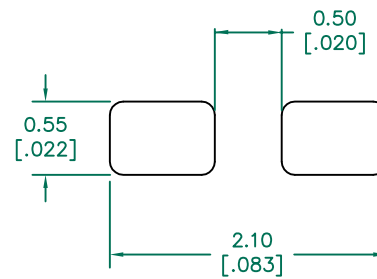
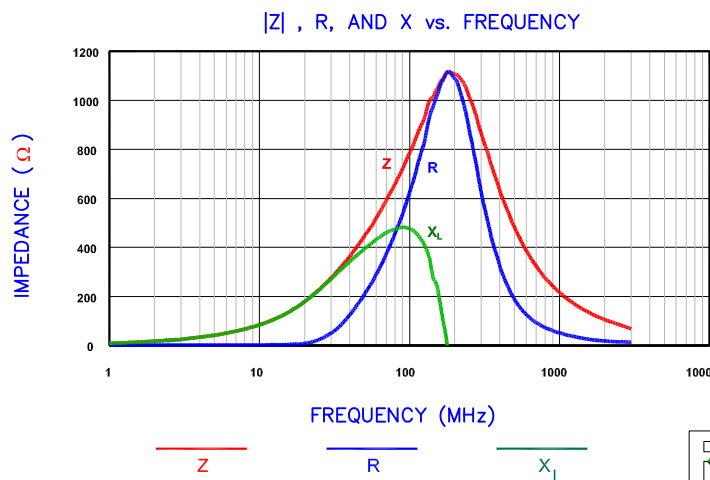
NOTES: UNLESS OTHERWISE SPECIFIED

1. TAPED AND REELED PER CURRENT EIA SPECIFICATIONS, 7" REELS, 10K PIECES PER REEL, PAPER CARRIER TAPE.
2. TERMINATION FINISH IS 100% TIN.
3. COMPONENTS SHOULD BE ADEQUATELY PREHEATED BEFORE SOLDERING.
4. OPERATEING TEMPERATURE TEMP: $-40^{\circ}\text{C} \sim +125^{\circ}\text{C}$ (INCLUDING SELF-HEATING)

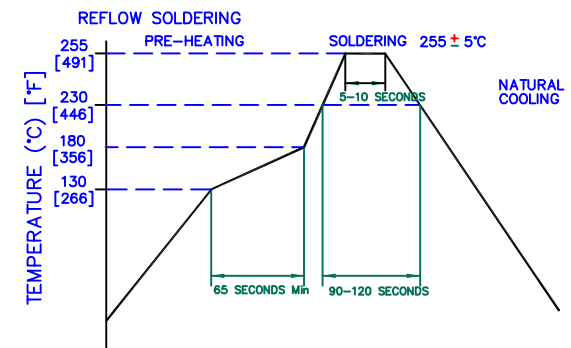


LAND PATTERNS FOR REFLOW SOLDERING

RECOMMENDED SOLDERING CONDITIONS



(For wave soldering, add 0.763 (.030 to this dimension).)



DIMENSIONS ARE IN mm [INCHES].				This print is the property of Laird Tech. and is loaned in confidence subject to return upon request and with the understanding that no copies shall be made without the written consent of Laird Tech. All rights to design or invention are reserved.			
				Laird			
				PROJECT/PART NUMBER:			
C	ADD OPERATING TEMPERATURE UPDATE LAIRD LOGO AND REFLOW CURVE	08/05/13	QU	HZ0402B102R-10		REV	C
B	UPDATE COMPANY LOGO	02/15/08	JRK	DATE:	03/21/06	SCALE:	NTS
A	ORIGINAL DRAFT	03/21/06	JRK	CAD #		SHEET:	
REV	DESCRIPTION	DATE	INT	HZ0402B102R-10-C		TOOL #	-
						DRAWN BY:	JRK
						PART TYPE:	CO-FIRE
						2 of 2	

