



Chipsmall Limited consists of a professional team with an average of over 10 year of expertise in the distribution of electronic components. Based in Hongkong, we have already established firm and mutual-benefit business relationships with customers from,Europe,America and south Asia,supplying obsolete and hard-to-find components to meet their specific needs.

With the principle of “Quality Parts,Customers Priority,Honest Operation,and Considerate Service”,our business mainly focus on the distribution of electronic components. Line cards we deal with include Microchip,ALPS,ROHM,Xilinx,Pulse,ON,Everlight and Freescale. Main products comprise IC,Modules,Potentiometer,IC Socket,Relay,Connector.Our parts cover such applications as commercial,industrial, and automotives areas.

We are looking forward to setting up business relationship with you and hope to provide you with the best service and solution. Let us make a better world for our industry!



## Contact us

Tel: +86-755-8981 8866 Fax: +86-755-8427 6832

Email & Skype: info@chipsmall.com Web: www.chipsmall.com

Address: A1208, Overseas Decoration Building, #122 Zhenhua RD., Futian, Shenzhen, China

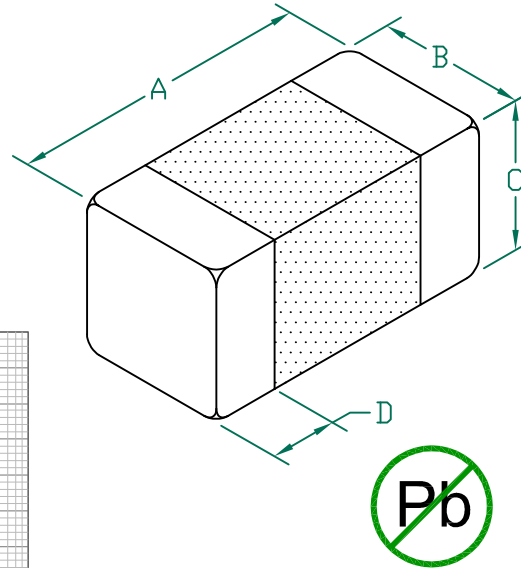


# HZ0603B112R-10

**UNCONTROLLED DOCUMENT**

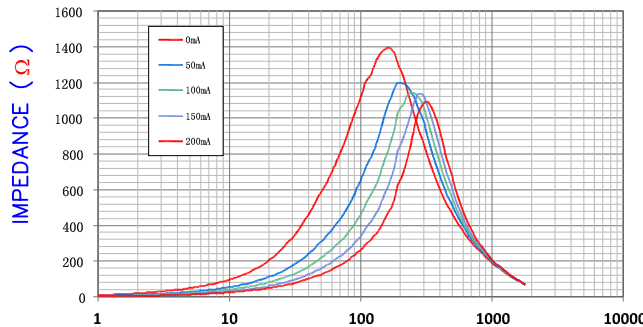
**PHYSICAL DIMENSIONS:**

A	1.60 [.063]	+ 0.15	[-.006]
B	0.80 [.031]	+ 0.15	[-.006]
C	0.80 [.031]	+ 0.15	[-.006]
D	0.36 [.014]	+ 0.15	[-.006]



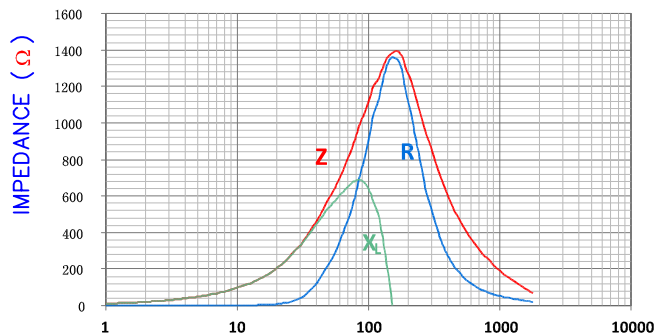
ELECTRICAL CHARACTERISTICS:			
	Z @ 100MHz (Ω)	DCR (Ω)	Rated Current
Nominal	1100		
Minimum	825		
Maximum	1375	0.80	200 mA

Z vs FREQUENCY  
IMPEDANCE UNDER DC BIAS



FREQUENCY (MHz)

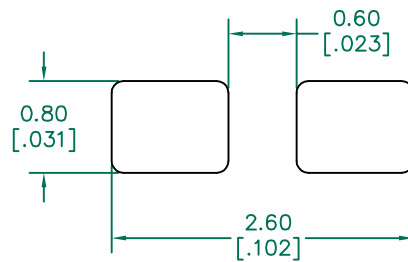
|Z|, R, AND X vs. FREQUENCY



FREQUENCY (MHz)

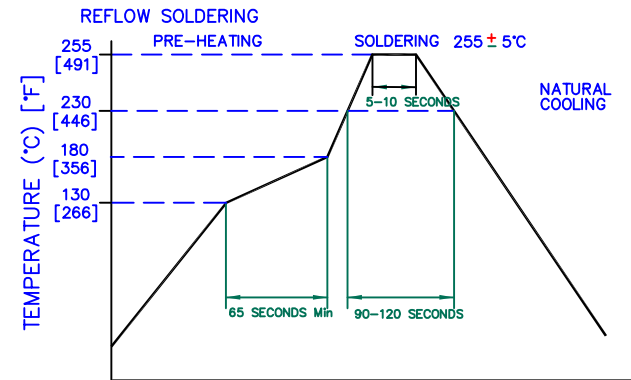


LAND PATTERNS FOR REFLOW SOLDERING



(For wave soldering, add 0.762 (.030) to this dimension)

RECOMMENDED SOLDERING CONDITIONS



DIMENSIONS ARE IN mm [INCHES].				This print is the property of Laird Tech. and is loaned in confidence subject to return upon request and with the understanding that no copies shall be made without the written consent of Laird Tech. All rights to design or invention are reserved.				<b>Laird</b>	
D	ADD OPERATING TEMPERATURE UPDATE LAIRD LOGO AND REFLOW CURVE	08/05/13	QU	PROJECT/PART NUMBER:	REV	PART TYPE:	DRAWN BY:		
C	UPDATE CURVES	07/23/10	JUN	HZ0603B112R-10	D	CO-FIRE	TMB		
B	UPDATE COMPANY LOGO ADD ROHS	02/26/08	JRK	DATE:	SCALE:			SHEET:	
A	ORIGINAL DRAFT	04/03/04	TMB	04/03/04	-			2 of 2	
REV	DESCRIPTION	DATE	INT	HZ0603B112R-10-D	TOOL #				