



Chipsmall Limited consists of a professional team with an average of over 10 year of expertise in the distribution of electronic components. Based in Hongkong, we have already established firm and mutual-benefit business relationships with customers from,Europe,America and south Asia,supplying obsolete and hard-to-find components to meet their specific needs.

With the principle of "Quality Parts,Customers Priority,Honest Operation,and Considerate Service",our business mainly focus on the distribution of electronic components. Line cards we deal with include Microchip,ALPS,ROHM,Xilinx,Pulse,ON,Everlight and Freescale. Main products comprise IC,Modules,Potentiometer,IC Socket,Relay,Connector.Our parts cover such applications as commercial,industrial, and automotives areas.

We are looking forward to setting up business relationship with you and hope to provide you with the best service and solution. Let us make a better world for our industry!



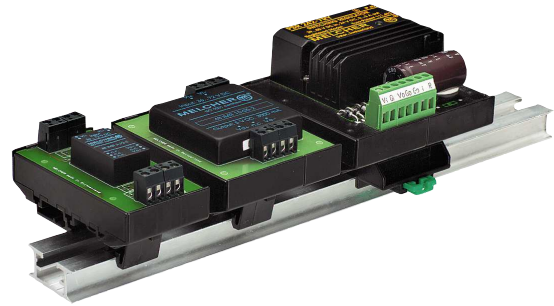
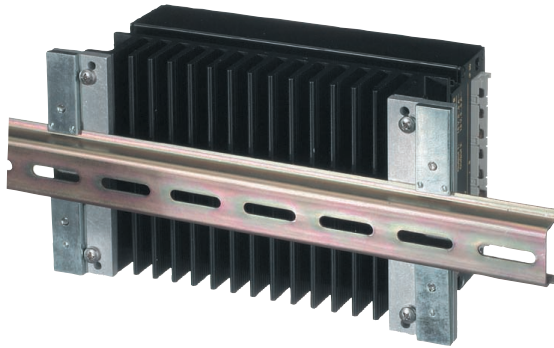
Contact us

Tel: +86-755-8981 8866 Fax: +86-755-8427 6832

Email & Skype: info@chipsmall.com Web: www.chipsmall.com

Address: A1208, Overseas Decoration Building, #122 Zhenhua RD., Futian, Shenzhen, China





Description

Special mounting supports have been designed for the integration of power supplies into switch boards, control panels, printed circuit boards, etc., using adapters for chassis-, DIN-rail, or PCB mounting.

The 19-inch cassette style DC-DC and AC-DC converters can also be chassis-mounted with frontal access by means of a special *Chassis Mounting Plate*, attached to the converters.

The *Universal Mounting Brackets* also fit to most of these cassette type converters, allowing for either vertical-chassis or DIN-rail mounting.

A *Bracket Kit*, consisting of a PCB with screw-terminal connectors and brackets, suitable for either chassis or DIN-rail mounting, is available either for PCB mountable PSR and PSA Switching Regulators with option "Y" pins or for small DC-DC converters up to 15 Watt.

For isolation of the PCB-mountable converters from a double-sided PCB, the use of *Isolation Pads* is recommended, as described below.

RoHS-compliant products are available on request.

Note: All dimensions are in mm, unless otherwise specified.

Table of Contents

| Table of Contents | Page | Page |
|---|------|---|
| Description | 1 | |
| Chassis and Wall Mounting Plates | 2 | |
| Series W and X | 4 | |
| Series H, M, Q, P, HP, PSL | 4 | |
| Universal Mounting Brackets | 4 | |
| DIN-Rail Mounting Brackets DMB | 5 | |
| Chassis Mounting Brackets CMB | 5 | |
| DIN-Rail- and Chassis-Mounting Supports | 6 | |
| CMB: Chassis Mounting Support | 7 | |
| DMB: DIN-Rail Mounting Support | 7 | |
| Electrical Description CMBA01, DMBA01 | 7 | |
| | | CMB3W and DMB3W |
| | | 8 |
| | | Supports for 7 W Converters |
| | | 8 |
| | | Basic Kit CMBIMX/S7 (HZZ00617) |
| | | 8 |
| | | DIN-Rail Kit DMBIMS/X7 (HZZ00613) |
| | | 8 |
| | | Mounting Instructions for Basic Kit |
| | | 8 |
| | | Application-Specific Circuitry |
| | | 9 |
| | | Supports for 15 W Converters |
| | | 10 |
| | | Basic Kit CMBIMX15 |
| | | 10 |
| | | Basic Kit DMBIMX15 |
| | | 10 |
| | | Application-Specific Circuitry |
| | | 11 |

Chassis and Wall Mounting Plates

For chassis mounting of 19" cassette-style converters, where only frontal access to the fastening screws is given, special chassis mounting plate adapters are available according to the following table and figures 1 to 3.

Table 1: Mounting plates survey

| Case size | Converter series | Part number Description | Delivery content | Fig. |
|-----------|---|--------------------------------|---|------|
| M02 | M | HZZ01210-G Mounting plate M | Mounting plate XMK085-G 4 countersunk screws M3×6 4 serrated sunk washers | 1 |
| H02 | H | | | |
| Q01 | Q | | | |
| Q04 | P | | | |
| Q05 | HP | | | |
| Q01 | Q | HZZ01215-G Mounting plate Q | Mounting plate with brackets 4 countersunk screws M3×6 | 2 |
| Q04 | P | | | |
| Q05 | HP | | | |
| K02 | K ¹ , PSK ¹ , RP ¹ | HZZ01213-G Mounting Plate K | Mounting plate XMK074 4 countersunk screws M4×10 | 3 |
| S02 | S ¹ , PSS ¹ , R ¹ | | | |

¹ with Option B1

Note: The mounting plate K (HZZ01213-G) fits to K, S, PSK, PSS, RP, R converters with opt. B1. However, it is possible to order these converters directly with option B. Such converters exhibit the same mounting plate as shown in fig. 1.



Fig. 1a
 Mounting plate M (HZZ01210-G),
 connector with faston terminals (HZZ00101-G),
 secured with retention clips (HZZ01209-G)

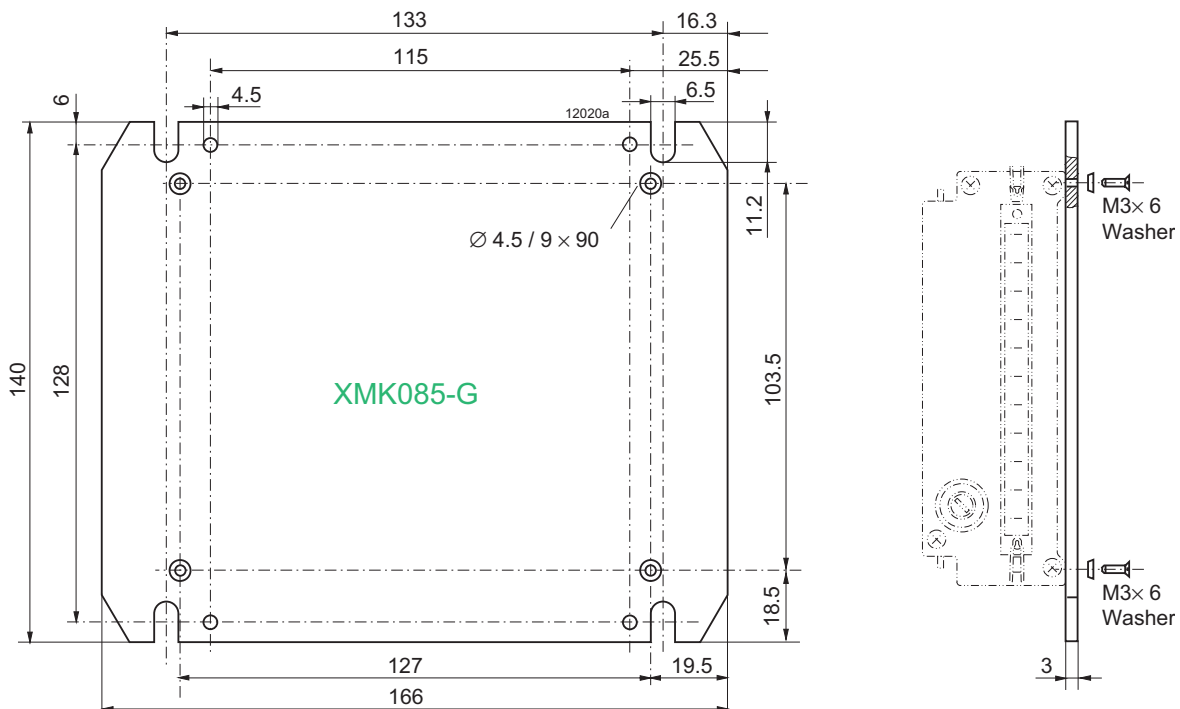


Fig. 1b
 HZZ001210 (mounting plate M)
 Aluminum, black anodized

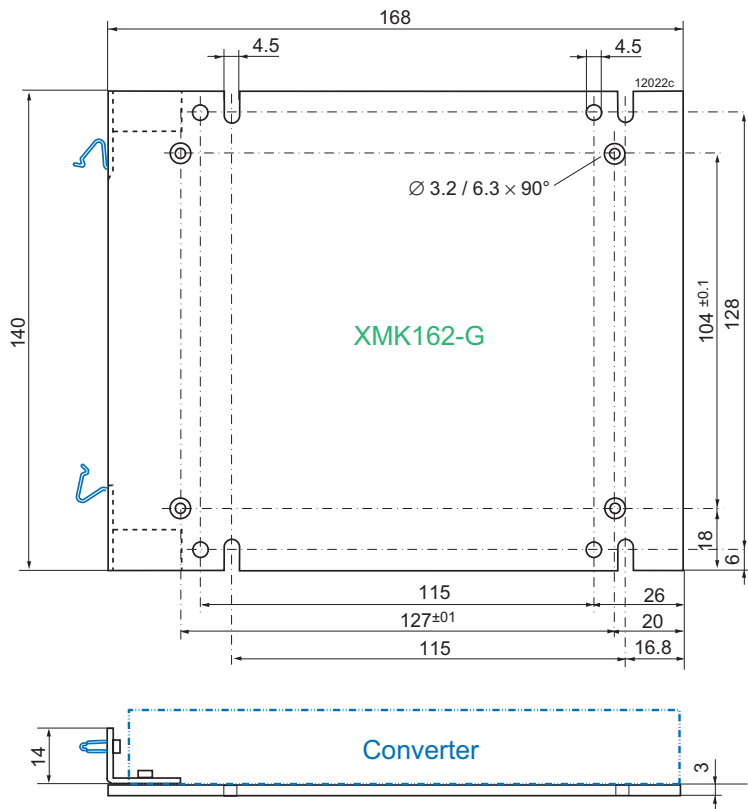


Fig. 2a
HZZ01215-G (mounting plate Q) with integrated connector retention facility using HZZ01229-G (retention clips Q), Aluminum, black anodized

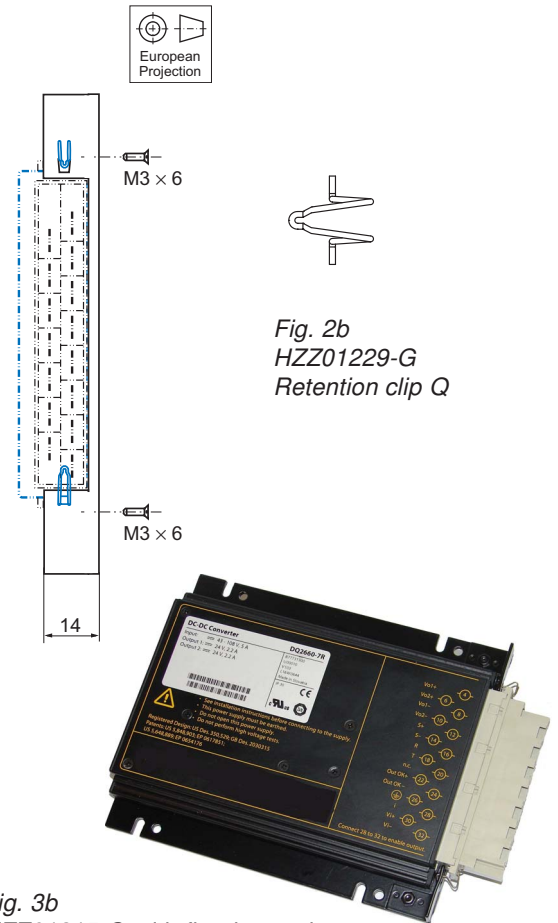


Fig. 2b
HZZ01229-G
Retention clip Q

Fig. 3b
HZZ01215-G with fitted retention clips Q (HZZ01229-G)

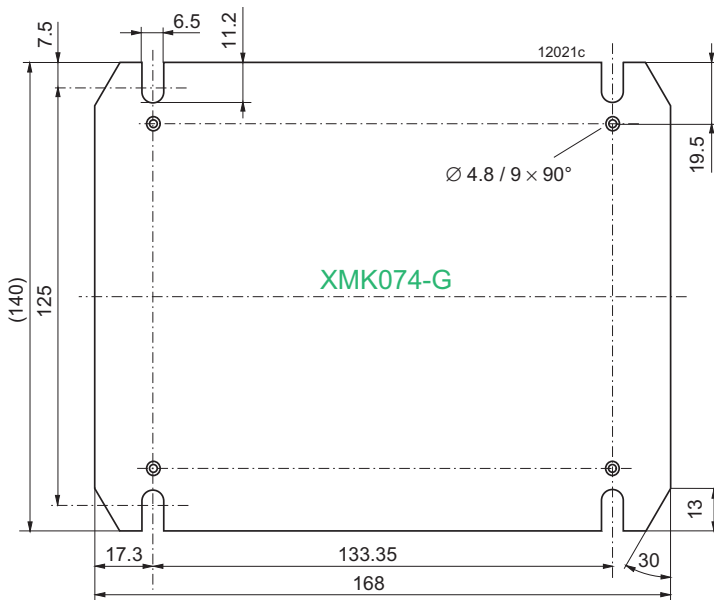
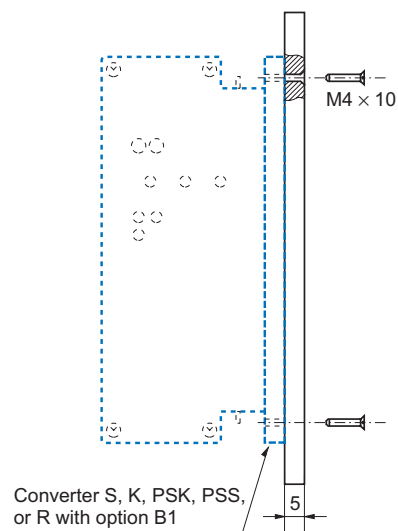


Fig. 3
HZZ01213-G (mounting plate K)
Aluminum, black anodized



Universal Mounting Brackets (DIN-Rail and Chassis Mounting)

Series H, M, Q, P, HP, PSL

A special universal mounting bracket has been designed for vertical or upright chassis- and DIN-rail mounting of the 19" cassette style converters; see table 2.

Fig. 4a
DIN-rail clamp
XMM162-G,
steel, galvanized

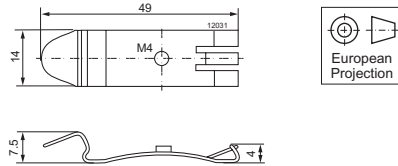


Fig. 4b
Universal mounting bracket XKM159-G,
Aluminum, untreated

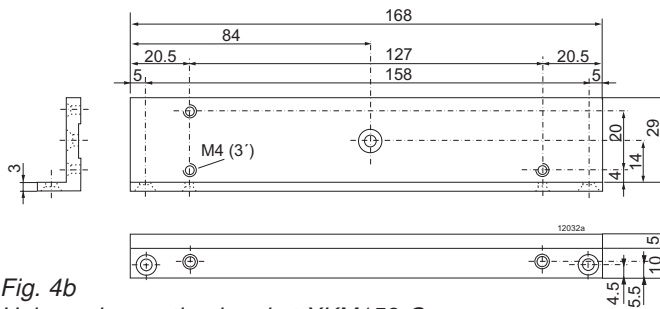


Fig. 5
Mounting with
KM159-G,

Table 2: Universal mounting bracket survey

| Case size | Converter series | Description Part number | Delivery content |
|----------------------------------|-------------------------|-------------------------|--|
| L04 H02, M02 Q01, Q04, Q05 | PSL H, M Q, P, HP | UMB-LHMQ HZZ00610-G | Alu-profile (fig. 4b), DIN-rail clamp (fig. 4a), screws and washers |
| W01, X01 | W, X | UMB-W HZZ00618-G | 2 clamps (fig. 6), 4 counter sunk screws M4 × 16, 4 washers, and 4 spring washers |
| | | DMB-EWG HZZ00624-G | DIN-rail clamp left and right (fig. 9), 2 screws M4 × 12, 2 washers, 2 ribbed-lock washers |

Series W and X

Chassis mounting brackets UMB-W are available; see table 2 and fig. 6.

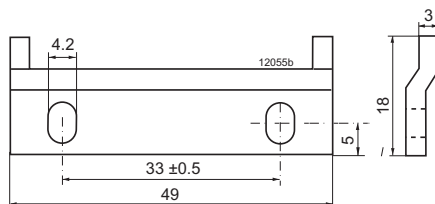
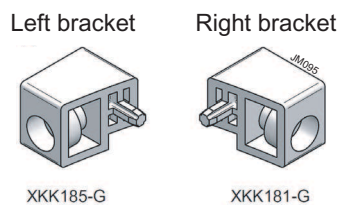


Fig. 6
Universal mounting bracket XMK038-G

Fig. 8
Additional fixing brackets
for railway application



DIN-rail mounting is possible with the built-in snap fit devices. For heavy-duty railway applications, 2 or better all 4 fixing brackets DMB-EWG should be fitted; see fig. 8.

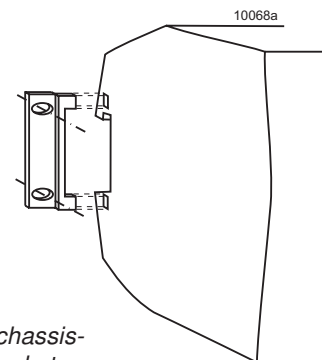


Fig. 7
W unit with chassis-mounting brackets

DIN-Rail Mounting Brackets DMB

By means of the mounting kits listed in table 3, converters can be fastened onto a DIN-rail. The kit consists of two aluminum brackets to be mounted on each side of the converter, including a clamp. The kit HZZ00615-G contains two different sets of screws for the adaption of the brackets to all listed converter series. The design of the kit is made such that the fixture is very tight. As a result the assembly can be used for mobile applications.

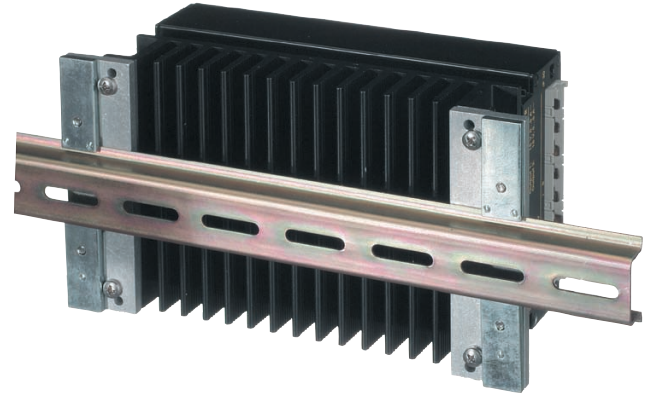


Table 3: Mounting bracket survey

| Case size | Converter series | Part number Description |
|-----------|------------------|-------------------------|
| S01 | PSS | HZZ00615-G |
| S02 | S, HR, HRL | DMB-K/S |
| K01 | PSK | |
| K02 | K, HRP | |
| M02 | M | HZZ00619-G |
| H02 | H | DMB-MHQ |
| Q01 | Q ¹ | |
| Q04 | P ¹ | |
| Q05 | HP ¹ | |

¹ Not together with screw-style connectors HZZ00107-G

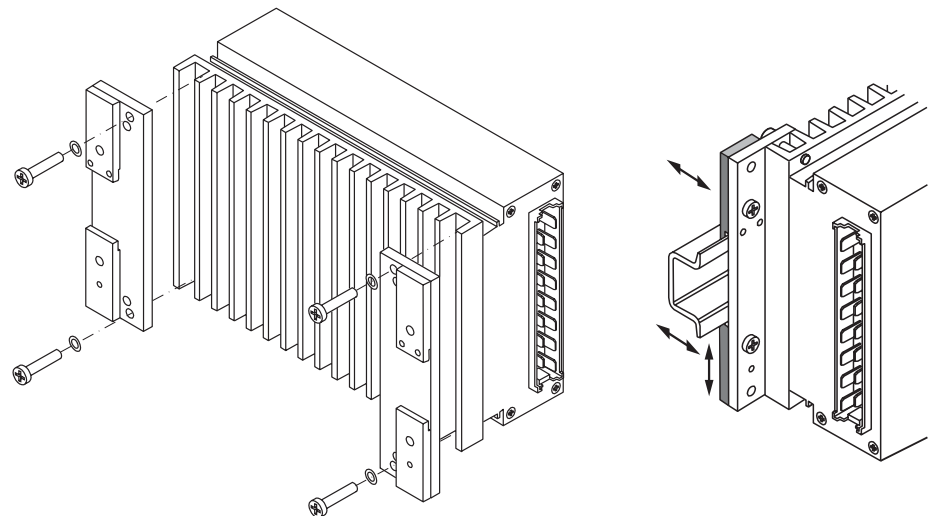


Fig. 9
Schematic view: Assembly of DMB-K/S

Chassis Mounting Brackets CMB

Series S, HR, HRL, LR, PSS

This mounting kit allows for chassis mounting of the converters listed in table 4, if access is only possible from the front of the chassis.

Note: If space conditions are very tight, option B1 or B can be used instead of the heat sink. Refer to the data sheets of the respective converters.

This kit uses parts of the DMB-K/S kit, since it consists of the same two brackets but without the clamps and fitted the other way round on the heatsink.

Table 4: Mounting bracket survey

| Case size | Converter series | Part number Description |
|-----------|------------------|-------------------------|
| S01 | PSS | HZZ00616-G |
| S02 | S | CMB-S |
| S03 | HR, HRL, LR | |



DIN-Rail- and Chassis-Mounting Supports

PCB mounting as well as cassette style converters can be chassis- or DIN-Rail mounted by means of mounting bracket adapters. For selection and part numbers refer to table 5 !

Note: Customized adapters for other case sizes are available upon request.

Each part number gives a direct indication of the kind of mounting, the type of converter, i.e. the case size, or the output power as well as the possible pin-out and the options according to the relevant converter data. The adapters are divided into two mechanical types: CMB and DMB.

Note: Application-specific assemblies are available on request: MK001-xxx and MK002-xxx.

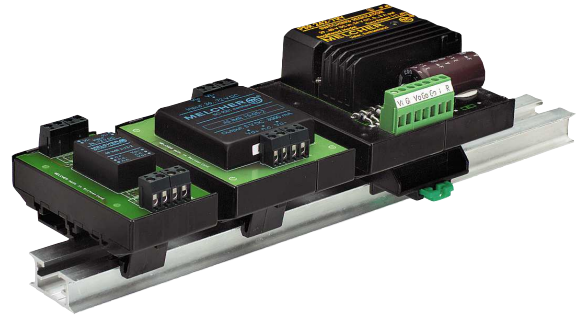


Table 5: Mounting support survey

| A1 [mm] | A2 [mm] | Converter case size | Converter series | Chassis-mounting Part number | DIN-mounting Part number | Delivery content |
|---------|---------|---------------------|--|-------------------------------|------------------------------|--|
| 95.0 | 90.0 | A01 | PSR, PSA ($V_{i,max} = 40, 60, 80 \text{ V}$) | CMB A01-iRY/80 HZZ00607-G | DMBA01-iRY/80 HZZ00606-G | PCB, screw terminal blocks, 4 diodes, capacitor C1 and C- or D-bracket with screws |
| | | | PSA ($V_{i,max} = 144 \text{ V}$) | CMB A01-iRY/144 HZZ00609-G | DMBA01-iRY/144 HZZ00608-G | |
| 50.0 | 45.0 | DIL 24 | IMX4 with Option K IMS6 with Option K | CMB3W-123 (HZZ00604) | DMB3W-123 (HZZ00602) | PCB, screw terminal blocks, C- or D-bracket with screws |
| 72.5 | 67.5 | 1" x 2" | IMX7, IMS7 IML10 ¹ | CMBIMS/X7 (HZZ00617) | DMBIMS/X7 (HZZ00613) | See Basic Kit C/DMBIMS/X7 |
| | | 1.6" x 2" | IMX15, IMS15 | CMBIMX15 (HZZ00626) | DMBIMX15 (HZZ00625) | See Basic Kit C/DMBIMX15 |

¹ Obsolete model

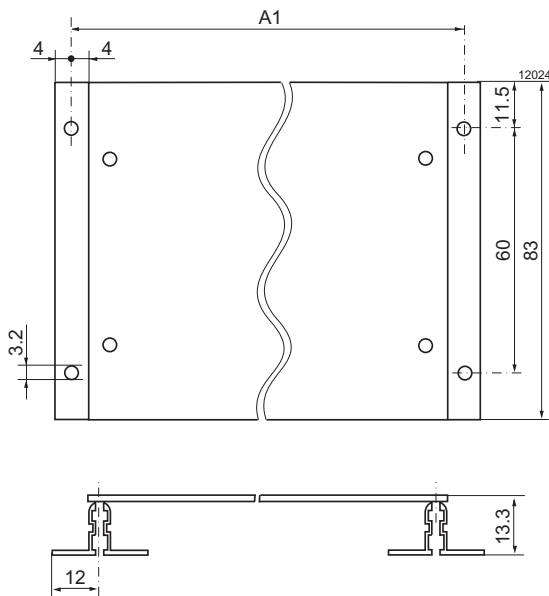


Fig. 10
 Dimensions of CMB chassis mounting support:
 Bracket: Aluminum, black finish

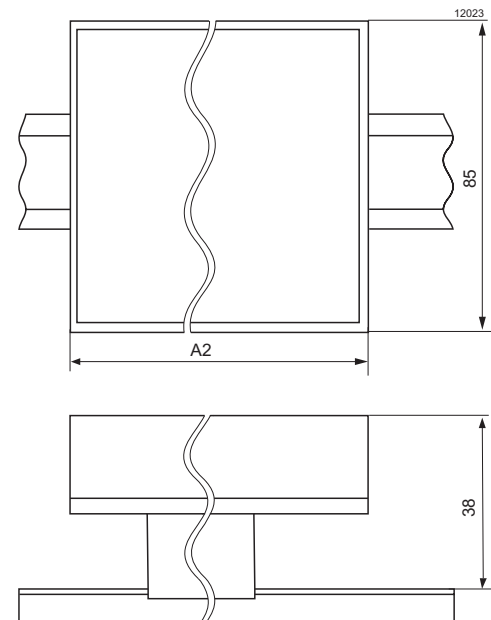


Fig. 11
 Dimensions of DMB DIN-rail support
 Bracket: Polycarbonate, black

CMB: Chassis Mounting Support

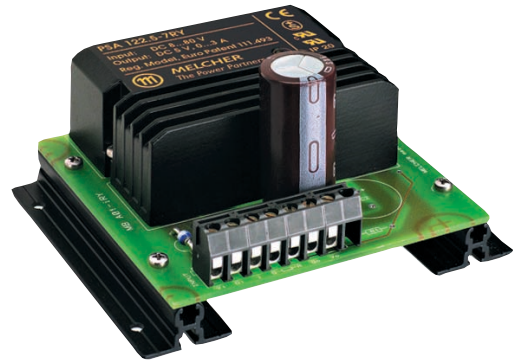
The kit consists of a PCB for the converter, a set of screw terminals allowing for easy electrical connection and two Aluminum profiles, attached to the PCB by means of four screws, which serve as the chassis mounting bracket. Five different versions according to table 5 are available.

Details on the layout of the PCBs and diagrams are given in the description below.

DMB: DIN-Rail Mounting Support

The DMB kit differs from the CMB version by a bracket suited for DIN-rail mounting. The black plastic body of the bracket holds the PCB by means of a snap-in device. Five different versions according to table 5 are available.

Details on the layout of the PCBs and diagrams are given in the description below.



Electrical Description CMBA01, DMBA01

This bracket is designed for non-isolated switching regulators of the PSR and PSA Series in the A01 case size, equipped with option Y. Technical details and further information, e.g. max. input voltage etc., are described in the PSR/PSA data sheet. The use of the optional inhibit- and R-function (external output voltage adjustment with R1) is possible, and the device can be driven either from a DC-source or from a transformer secondary voltage.

- DC-input: Consider the forward voltage drop across the rectifier diodes (also providing reverse polarity protection). Capacitor C1 compensates for the negative input impedance of the converter in case of long connection wires.
- AC-input: The recommended transformer secondary voltage is 48 VAC for PSR/PSA (with $V_{i\max} = 80\text{ V}$) and 72 VAC for PSA (with $V_{i\max} = 144\text{ V}$)

Exception: Input voltage for PSA55 is 20 VAC.

Note: PSA55 and PSR362 require an additional capacitor (C2) of at least 470 μF .

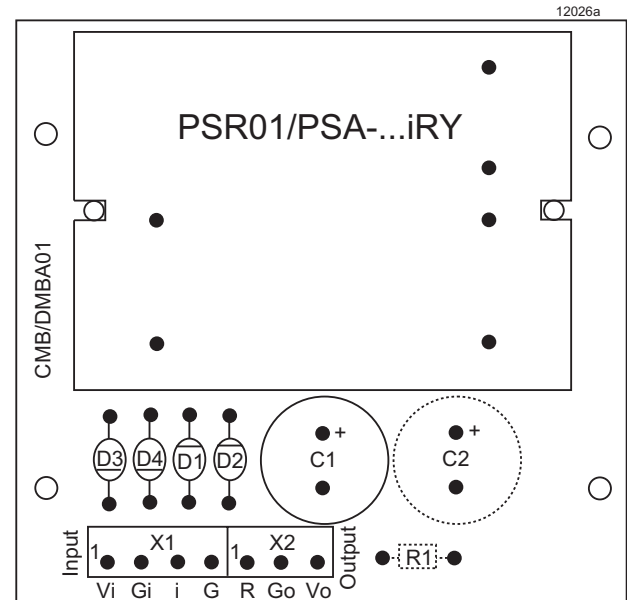


Fig. 13
C/DMBA01- .. PCB layout

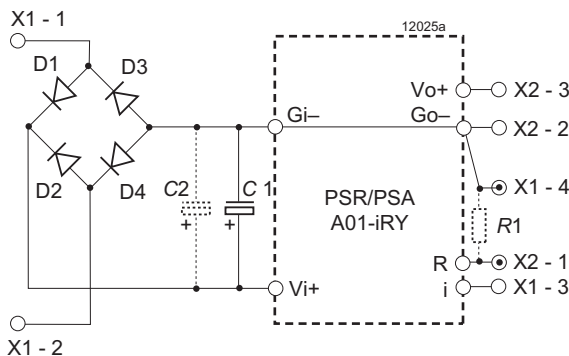
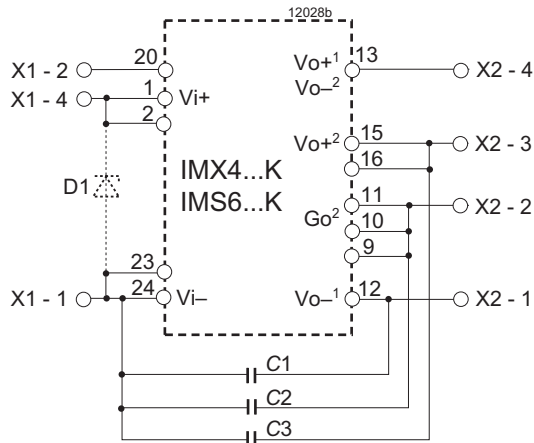


Fig. 12
C/DMBA01-... circuit diagram

CMB3W and DMB3W

This support is designed for galvanically isolated DC-DC converters of the IMX4 and IMS6 Series (both with option K)



- 1 Single-output models
- 2 Double-output models

Fig. 14
Circuit diagram of CMB3W and DMB3W

in DIL 24 cases with one or two output voltages. The pin configuration of the converter groups single, double, and dual, and all technical converter details are described in the data sheets.

Depending on the application input transient protection may be incorporated (e.g. an appropriate Transzorb diode D1) .

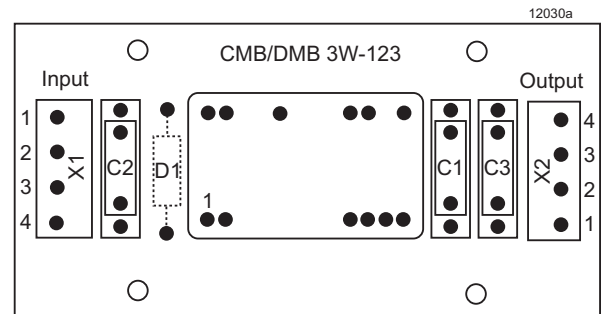


Fig. 15
Print layout of CMB3W and DMB3W

Supports for 7 W Converters

Basic Kit CMBIMX/S7 (HZZ00617)

For use with 1" x 2" DC-DC converter types: IMX7, IMS7, IML10.

The basic kit contains the following:

- Two mounting rails, 83 mm
- Four screws M 2.5 x 6
- Four nuts M 2.5
- PCB
- Three 2-pole terminal blocks (2 x for X1 terminal, 1 x for X3 terminal)
- One 3-pole terminal block for X2 terminal
- Three wire jumpers 5.08 mm (positions B1, B4, B5)
- One wire jumper 10.16 mm (position D1)
- Six wire jumpers 6.8 mm (positions L2, L4, L6)
- Installation instruction BZM20005

DIN-Rail Kit DMBIMS/X7 (HZZ00613)

For use with 1" x 2" DC-DC converter types: IMS7, IMX7, IML10.

The basic kit contains the following:

- DIN-mounting support for 35 mm DIN-rail systems
- PCB
- Three 2-pole terminal blocks (2 x for X1 terminal, 1 x for X3 terminal)
- One 3-pole terminal block for X2 terminal
- Three wire jumpers 5.08 mm (positions B1, B4, B5)

- One wire jumper 10.16 mm (position D1)
- Six wire jumpers 6.8 mm (positions L2, L4, L6)
- Installation instruction BZM20004-G

Mounting Instructions for Basic Kit

Single-output models IMX7, IMS7, IML10:

- Solder the wire jumpers into positions as below:
 1. D1 (10.16 mm)
 2. B1 (5.08 mm), inhibit.

Note: This jumper should be fitted, if the inhibit is not actively used. An open inhibit disables the converter.

3. L2-A and L2-B, L6-A and L6-B (6.8 mm)
 4. L4-A and L4-B (6.8 mm), only necessary, if the R-input is used.
- Solder terminal blocks
 5. X1: Position Vi+/ Vi-, 2-pole terminal block
 6. X1: Position i/n.c., 2-pole terminal block (only necessary in the case of remote inhibit)
 7. X3: Position Vo+/ Vo-, 2-pole terminal block
 8. X2: Position n.c., R, Vo-, 3-pole terminal block only necessary in the case of Vo adjustment by e.g. an external voltage source)
 - Solder the selected DC-DC converter
 - Mount PCB onto rails by using the 4 screws and nuts or snap PCB onto the DIN mounting support.
 - Perform function test

Double-output models IMX7, IMS7, IML10:

- Solder the wire jumpers into positions as below:
 1. D1 (10.16 mm)
 2. B1 (5.08 mm), inhibit

Note: This jumper should be fitted, if the inhibit is not actively used. An open inhibit disables the converter.

3. L2-A and L2-B, L6-A and L6-B, L4-A and L4-B (all 6.8 mm)
- For applications with both outputs in parallel:
 4. Place/solder jumpers B4 and B5, (5.08 mm)
 - Solder terminal blocks
 5. X1: Position Vi+ / Vi-, 2-pole terminal block
 6. X1: Position i/R (Trim), 2-pole terminal block (only necessary in the case of remote inhibit or output voltage trimming by an external voltage source)
 7. X3: Position Vo1+ / Vo1-, 2-pole terminal block
 8. X2: Position n.c./Vo2+ / Vo2-, 3-pole terminal block
 - Solder the selected DC-DC converter
 - Mount PCB onto rails by using the 4 screws and nuts or snap PCB onto the DIN mounting support.
 - Perform function test

Application-Specific Circuitry

The assembly C/DMBIMX/S7 offers a variety of additional external circuitries which may be implemented onto the PCB. See circuit diagram and consult the IMS/X7 data sheet.

Depending upon the application the following peripheral additions can be made:

- Reverse polarity protection by a series diode D1.

- Improved input transient protection according to IEC/EN 61000-4-5, level 2, by chokes L1 or L2-A, L2-B (EMC version) and capacitor C1.

- Remote inhibit.

Note: If the inhibit is not actively used the inhibit has to be connected to Vi- by jumper B1.

- External output voltage trimming/adjustment

Single-output models:

- a) Vo – adjustment in the range of 70/75 – 100% of Vo_{nom} by resistors RX3 or RX4 or combinations of RX3/RX4.
- b) Vo – adjustment in the range of 100 – 105% of Vo_{nom} by resistors RX1 or RX2 or combinations of RX1/RX2.

Double-output models:

- a) Vo – trimming by resistor R2 in the range of 100 – 105% of Vo_{nom}
- b) Vo – trimming in the range of 70/75 – 100% of Vo_{nom} by a current diode together with a Zener diode D2 applicable for 24/48 IMS7 and 20/40IMX7 types.

- Reduced output ripple (by approx. factor 5) by using chokes L3/L5 together with electrolytic capacitors C8/C9.
- Improved electromagnetic emission EN 55022, class B, lead length to load 1 m (class A for 110IMX7 types).

This requires all capacitors and output chokes as per circuit diagram fig. 16, whereby the coupling capacitor C10 connected to Vi- via jumper B2 is foreseen for 24/48IMS/L types and 20/40/70IMX7 models.

For 110IMX7 types the coupling capacitor C11 or C12 should be used connected to Vo+ via jumper B3.

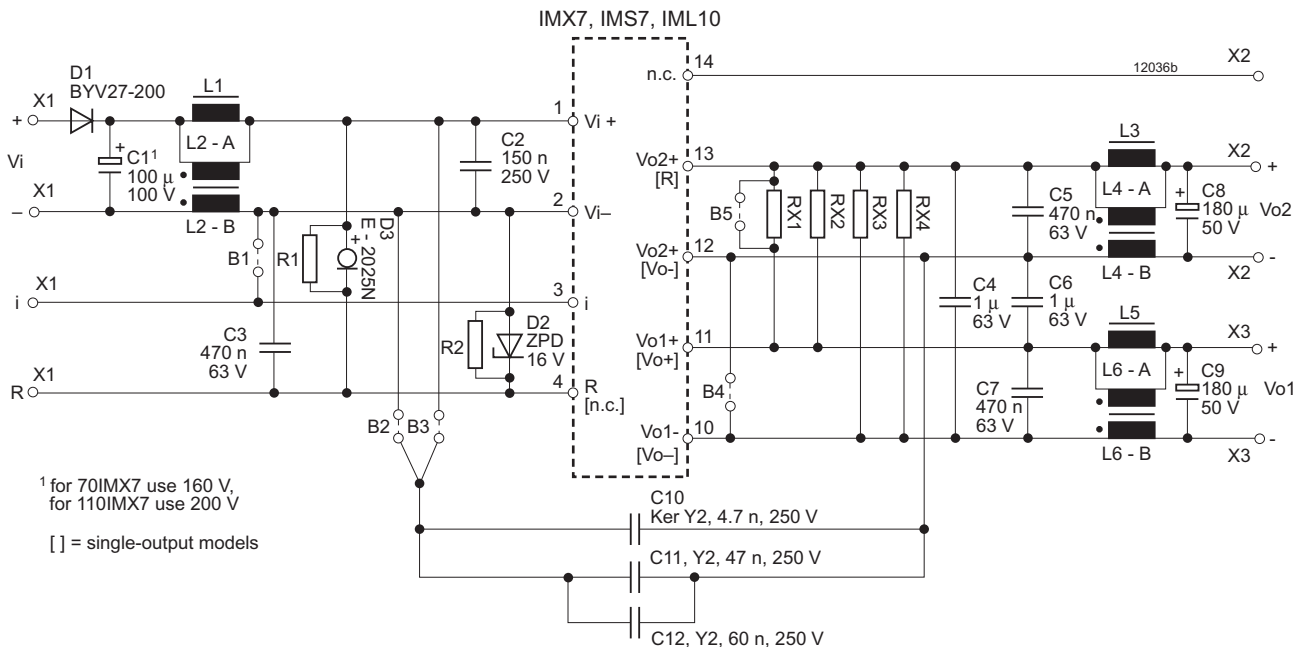
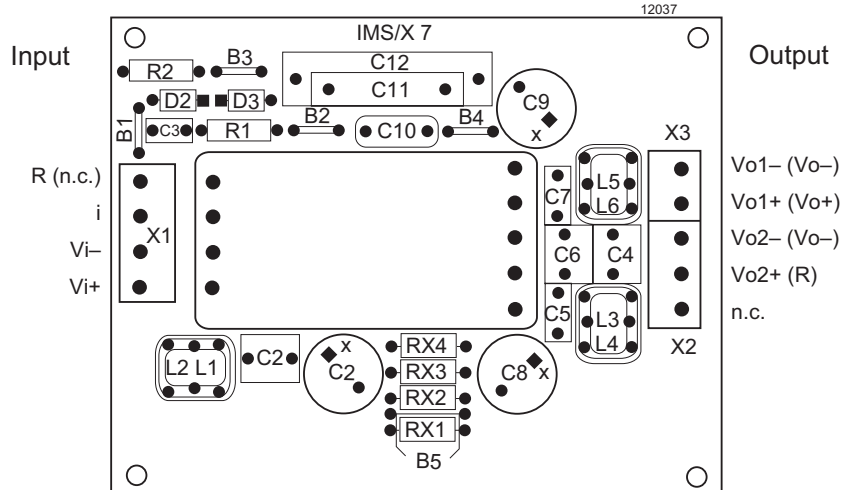


Fig. 16
C/DMB circuit diagram with IMX7, IMS7, IML10

Notes:

- For single-output models or double-output models with both outputs in parallel, one filter set (L5 or L6-A/L6-B) together with C7 and C9 is sufficient.
- Wire jumpers B2 and B3 should not be mounted together onto the PCB as this would cause a short circuit.
- The coupling capacitors C10 or C11/12 should be Y2 ceramic types to maintain the outputs being SELV.

Fig. 17
C/DMB arrangement of the terminals on the PCB for IMX7, IMS7, IML10.
Pin designations for single-output models are shown in brackets.



Supports for 15 W Converters

Basic Kit CMBIMX15

For use with 1.6" x 2" DC-DC converter types: IMS15, IMX15, IMY15.

Part no. CMBIMX15 (HZZ00626)

The basic kit contains the following:

- Two mounting rails, 83 mm
- Four screws M 2.5 x 6
- Four nuts M 2.5
- PCB

- Four 2-pole terminal blocks (2 x for X1 terminal, 2 x for X2 terminal)
- Five wire jumpers 6.35 mm (could be fitted on positions L2-A, L2-B, B1...B6 depending on required configuration)
- Circuit diagram no. ZGN.00262.0SD

Basic Kit DMBIMX15

For use with 1.6" x 2" DC-DC converter types: IMX15, IMY15, IMS15.

Part no. DMBIMX15 (HZZ00625)

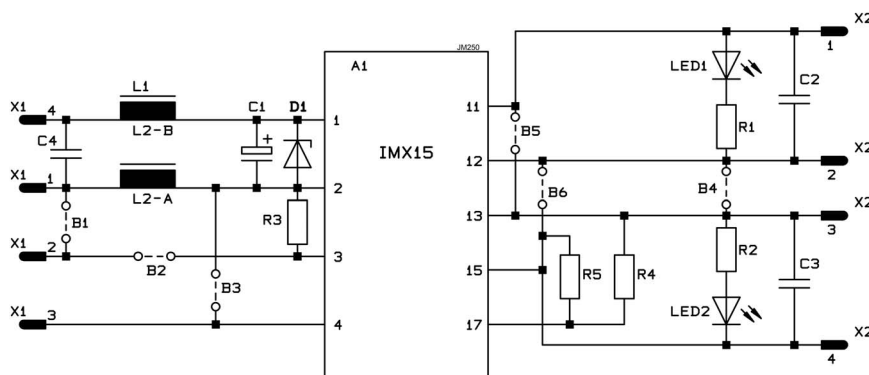


Fig. 18
C/DMB circuit diagram with IMS15, IMX15, IMY15

The basic kit contains the following:

- DIN-mounting support for 35 mm DIN-rail systems
- PCB
- Four 2-pole terminal blocks
(2 × for X1 terminal, 2 × for X2 terminal)
- Five wire jumpers 6.35 mm (could be fitted on positions L2-A, L2-B, B1...B6 depending on required configuration)
- Circuit diagram no. ZGN.00262.0SD

Application-Specific Circuitry

The assemblies CMBIMX15 and DMBIMX15 offer a variety of external circuitries which may be implemented onto the PCB. See circuit diagram and consult the IMX15 data sheet on our web site.

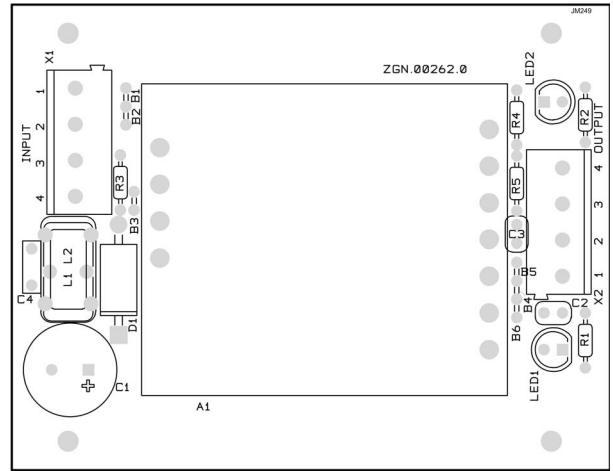


Fig. 19
C/DMB arrangement of the terminals on the PCB for IMX15, IMY15, IMS15

NUCLEAR AND MEDICAL APPLICATIONS - These products are not designed or intended for use as critical components in life support systems, equipment used in hazardous environments, or nuclear control systems.

TECHNICAL REVISIONS - The appearance of products, including safety agency certifications pictured on labels, may change depending on the date manufactured. Specifications are subject to change without notice.

Copyright © 2018, Bel Power Solutions Inc. All rights reserved.

belfuse.com/power-solutions