



Chipsmall Limited consists of a professional team with an average of over 10 year of expertise in the distribution of electronic components. Based in Hongkong, we have already established firm and mutual-benefit business relationships with customers from,Europe,America and south Asia,supplying obsolete and hard-to-find components to meet their specific needs.

With the principle of “Quality Parts,Customers Priority,Honest Operation,and Considerate Service”,our business mainly focus on the distribution of electronic components. Line cards we deal with include Microchip,ALPS,ROHM,Xilinx,Pulse,ON,Everlight and Freescale. Main products comprise IC,Modules,Potentiometer,IC Socket,Relay,Connector.Our parts cover such applications as commercial,industrial, and automotives areas.

We are looking forward to setting up business relationship with you and hope to provide you with the best service and solution. Let us make a better world for our industry!



## Contact us

Tel: +86-755-8981 8866 Fax: +86-755-8427 6832

Email & Skype: info@chipsmall.com Web: www.chipsmall.com

Address: A1208, Overseas Decoration Building, #122 Zhenhua RD., Futian, Shenzhen, China





# i10-M0453 Lock

i10 Lock

SAFETY LOCKING DEVICES

**SICK**  
Sensor Intelligence.



### Ordering information

Type	Part no.
i10-M0453 Lock	6029934

The actuator has to be ordered separately. See "Accessories" for further

Details.

Other models and accessories → [www.sick.com/i10\\_Lock](http://www.sick.com/i10_Lock)

actuator not supplied with delivery



### Detailed technical data

#### Features

<b>Number of positive action N/C solenoid monitoring contacts</b>	2
<b>Number of N/O solenoid monitoring contacts</b>	0
<b>Number of positive action N/C door monitoring contacts</b>	2
<b>Number of N/O door monitoring contacts</b>	0
<b>Number of N/C door monitoring contacts</b>	0
<b>Locking force <math>F_{max}</math></b>	1,300 N (EN ISO 14119)
With straight actuator	EN ISO 14119
With angled actuator	EN ISO 14119
With hinged actuator	EN ISO 14119
<b>Locking force <math>F_{Zh}</math></b>	1,000 N (EN ISO 14119)
<b>Actuation force</b>	≥ 10 N
<b>Actuation frequency</b>	≤ 7,000 /h
<b>Actuation directions</b>	4
<b>Approach speed</b>	≤ 20 m/min

#### Safety-related parameters

<b><math>B_{10d}</math> parameter</b>	3 x 10 <sup>6</sup> switching cycles (with small load)
<b>Type</b>	Type 2 (EN ISO 14119)
<b>Actuator coding level</b>	Low coding level (EN ISO 14119)
<b>Safe state in the event of a fault</b>	The switch has no internal fault detection and is unable to assume a safe state in the event of a fault. Fault detection is performed by the connected safety-related logic unit.

#### Interfaces

<b>Connection type</b>	Cable gland, 3 x M20
Conductor cross-section	0.34 mm <sup>2</sup> ... 1.5 mm <sup>2</sup>

## Electrical data

<b>Contamination rating</b>	3
<b>Switching principle</b>	Slow action switching element
<b>Usage category</b>	AC-15/DC-13 (IEC 60947-5-1)
<b>Rated operating current (voltage)</b>	4 A (230 V AC) 4 A (24 V DC)
<b>Rated insulation voltage <math>U_i</math></b>	250 V
<b>Rated impulse withstand voltage <math>U_{imp}</math></b>	2,500 V
<b>Type of output</b>	Electro-mechanical contacts
<b>Power consumption</b>	≤ 8 W
<b>Short-circuit protection</b>	4 A gG
<b>Switching voltage</b>	≥ 12 V DC
<b>Switching current (switching voltage)</b>	≥ 1 mA (24 V DC)
<b>Solenoid operating voltage</b>	(20.4 V DC ... 26.4 V DC)
<b>Switch-on time of magnet</b>	100 %
<b>Locking principle</b>	Power to release

## Mechanical data

<b>Weight</b>	0.46 kg
<b>Housing material</b>	Glass-fiber reinforced thermoplastic
<b>Mechanical life</b>	1 x 10 <sup>6</sup> switching cycles

## Ambient data

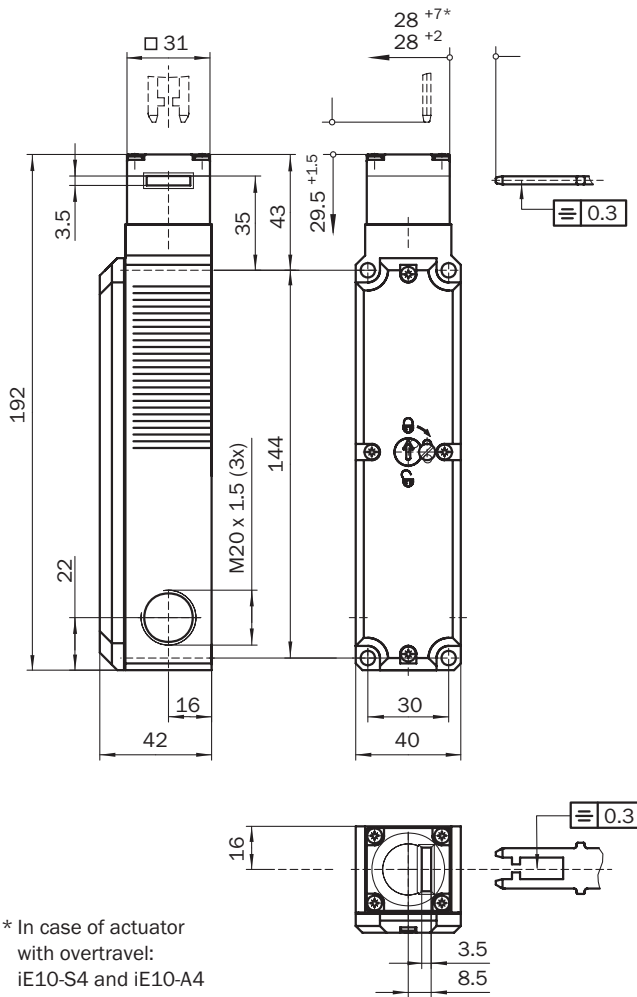
<b>Enclosure rating</b>	IP67 (IEC 60529)
<b>Ambient operating temperature</b>	-20 °C ... +55 °C
<b>Storage temperature</b>	-20 °C ... +55 °C

## Classifications

<b>ECl@ss 5.0</b>	27272603
<b>ECl@ss 5.1.4</b>	27272603
<b>ECl@ss 6.0</b>	27272603
<b>ECl@ss 6.2</b>	27272603
<b>ECl@ss 7.0</b>	27272603
<b>ECl@ss 8.0</b>	27272603
<b>ECl@ss 8.1</b>	27272603
<b>ECl@ss 9.0</b>	27272603
<b>ETIM 5.0</b>	EC002593
<b>ETIM 6.0</b>	EC002593
<b>UNSPSC 16.0901</b>	39122205



### Dimensional drawing (Dimensions in mm (inch))



\* In case of actuator with overtravel:  
iE10-S4 and iE10-A4

Switching elements

	Actuator inserted		Actuator removed
	locked	unlocked	
<b>Switching element 23</b>			
<b>Switching element 25</b>			
<b>Switching element 31</b>			
<b>Switching element 45</b>			

⬇ Positive action N/C locking monitoring contact  
⊖ Positive action N/C door monitoring contact

**Switching element 23:**  
2 positive action N/C contacts + 1 N/O contact (Locking monitoring)  
1 N/C contact (Door monitoring)

**Switching element 25:**  
2 positive action N/C contacts (Locking monitoring)  
1 N/C contact + 1 N/O contact (Door monitoring)

**Switching element 31:**  
2 positive action N/C contacts (Locking monitoring)  
1 positive action N/C + 1 N/O contact (Door monitoring)

**Switching element 45:**  
2 positive action N/C contacts (Locking monitoring)  
2 positive action N/C contacts (Door monitoring)

## SICK AT A GLANCE

SICK is one of the leading manufacturers of intelligent sensors and sensor solutions for industrial applications. A unique range of products and services creates the perfect basis for controlling processes securely and efficiently, protecting individuals from accidents and preventing damage to the environment.

We have extensive experience in a wide range of industries and understand their processes and requirements. With intelligent sensors, we can deliver exactly what our customers need. In application centers in Europe, Asia and North America, system solutions are tested and optimized in accordance with customer specifications. All this makes us a reliable supplier and development partner.

Comprehensive services complete our offering: SICK LifeTime Services provide support throughout the machine life cycle and ensure safety and productivity.

For us, that is “Sensor Intelligence.”

## WORLDWIDE PRESENCE:

Contacts and other locations [www.sick.com](http://www.sick.com)