



Chipsmall Limited consists of a professional team with an average of over 10 year of expertise in the distribution of electronic components. Based in Hongkong, we have already established firm and mutual-benefit business relationships with customers from,Europe,America and south Asia,supplying obsolete and hard-to-find components to meet their specific needs.

With the principle of “Quality Parts,Customers Priority,Honest Operation,and Considerate Service”,our business mainly focus on the distribution of electronic components. Line cards we deal with include Microchip,ALPS,ROHM,Xilinx,Pulse,ON,Everlight and Freescale. Main products comprise IC,Modules,Potentiometer,IC Socket,Relay,Connector.Our parts cover such applications as commercial,industrial, and automotives areas.

We are looking forward to setting up business relationship with you and hope to provide you with the best service and solution. Let us make a better world for our industry!



## Contact us

Tel: +86-755-8981 8866 Fax: +86-755-8427 6832

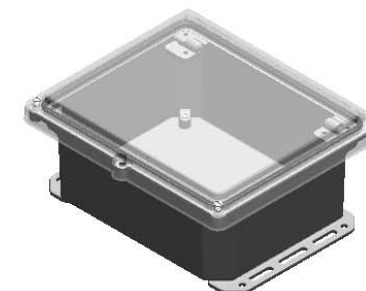
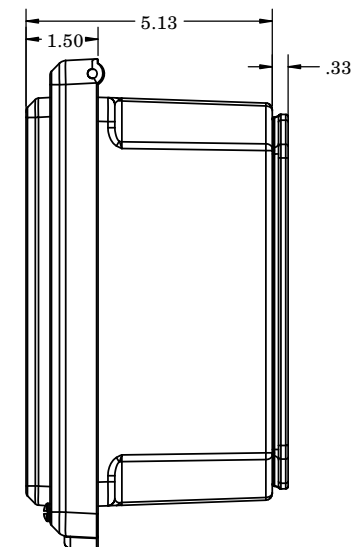
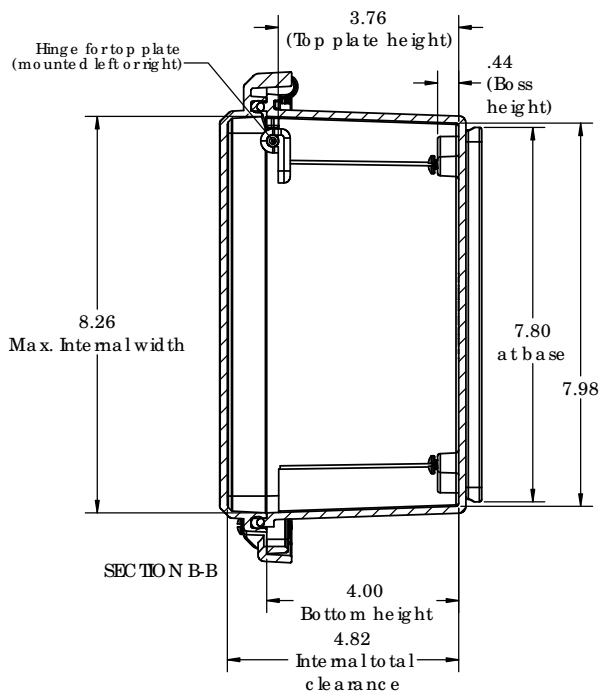
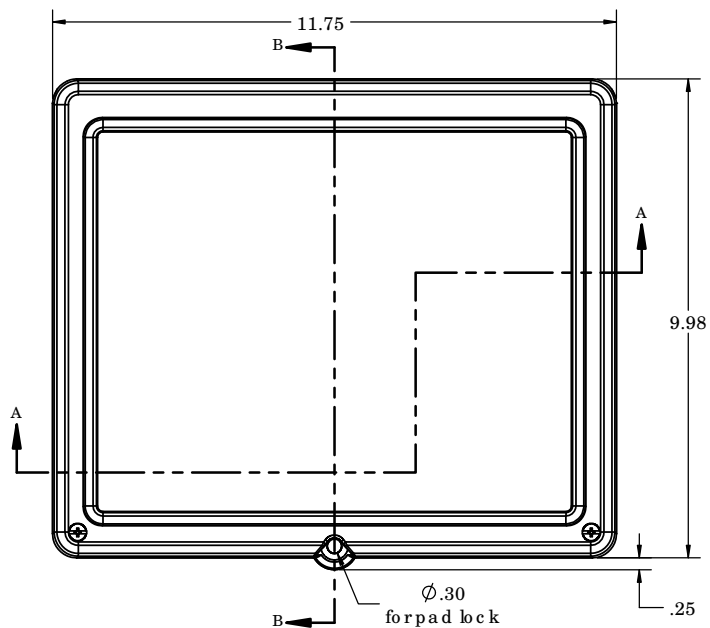
Email & Skype: info@chipsmall.com Web: www.chipsmall.com

Address: A1208, Overseas Decoration Building, #122 Zhenhua RD., Futian, Shenzhen, China

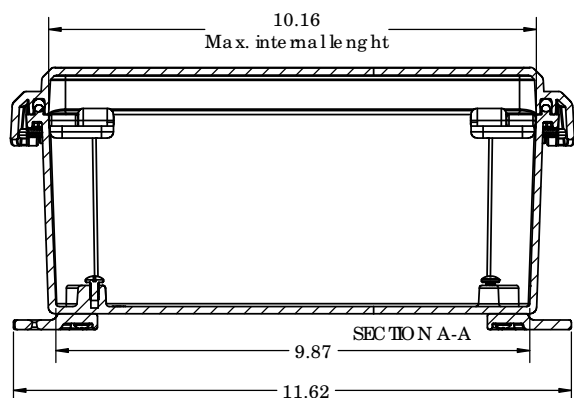


# SERPAC I342HS

Electronic Enclosures

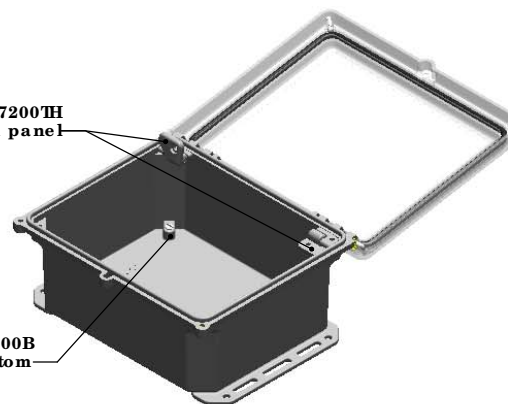


342HS with bottom rotating feet (4 included)



(2) Hinges for pn 7200TH hinged aluminum panel

(4) Bosses for pn 7200B aluminum panel for bottom



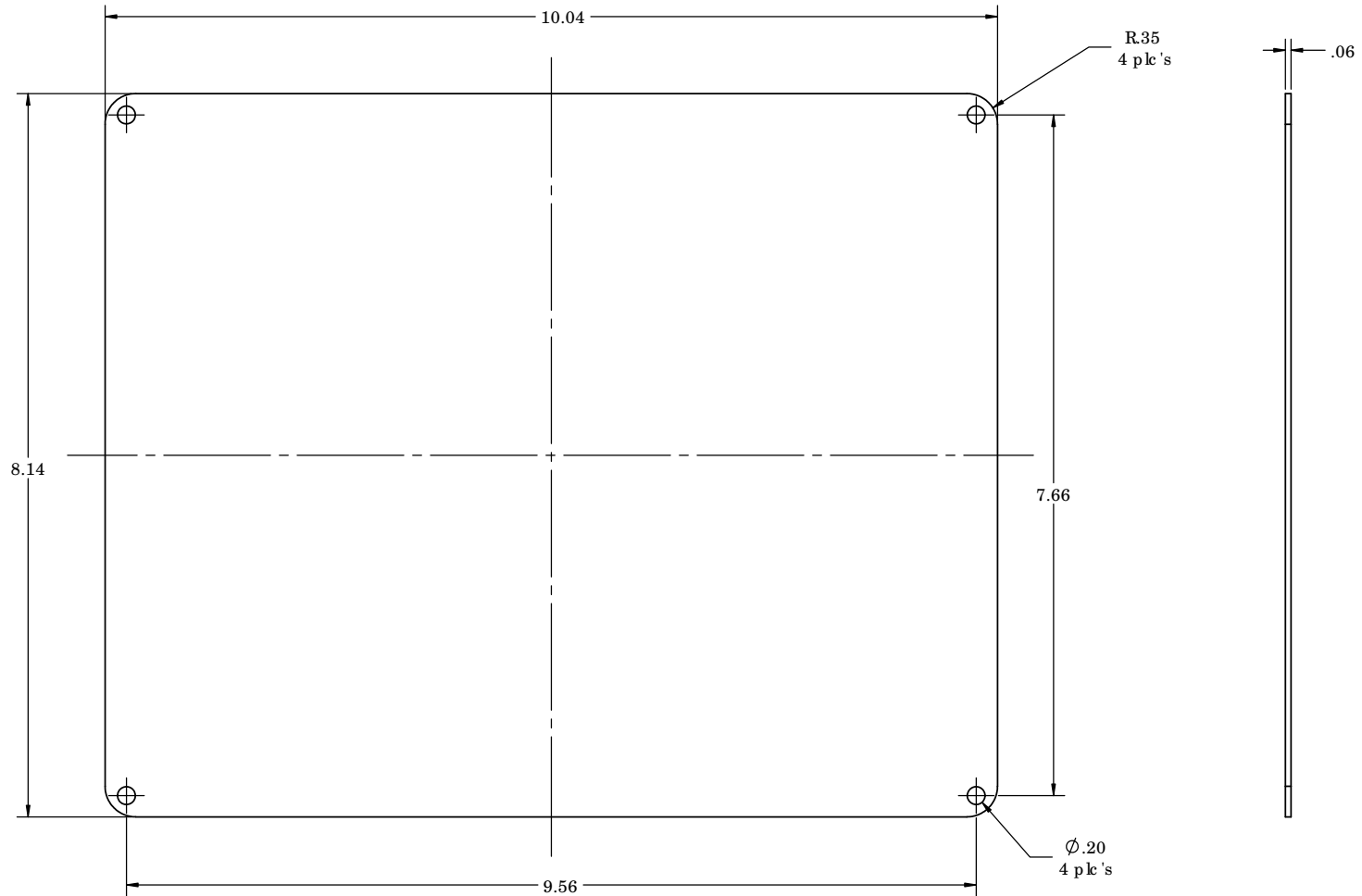
Open 342HS with bottom flanges (2 included) and 2 hinges for aluminum panel

-Material: UV stabilized Polycarbonate  
Flammability: UL94 V-0  
-Watertight enclosure meets or exceeds Nema 4 and IP67.

PARTS INCLUDED		
P/N	Qty.	Description
352HST	1	352 HS Top
340HLB	1	340 HL Bottom
8350	1	350 Perimeter O-ring
1304	2	Hinge pin
1305	2	350 Flange
1306	4	350 Feet
1307	2	350 Panel hinge pin
1308	1	350 Panel hinge A
1309	1	350 Panel hinge B
6028	4	SS #10 X 5/8" Pan HL

ALL DIMENSIONS ARE ± .010" 5/24/13

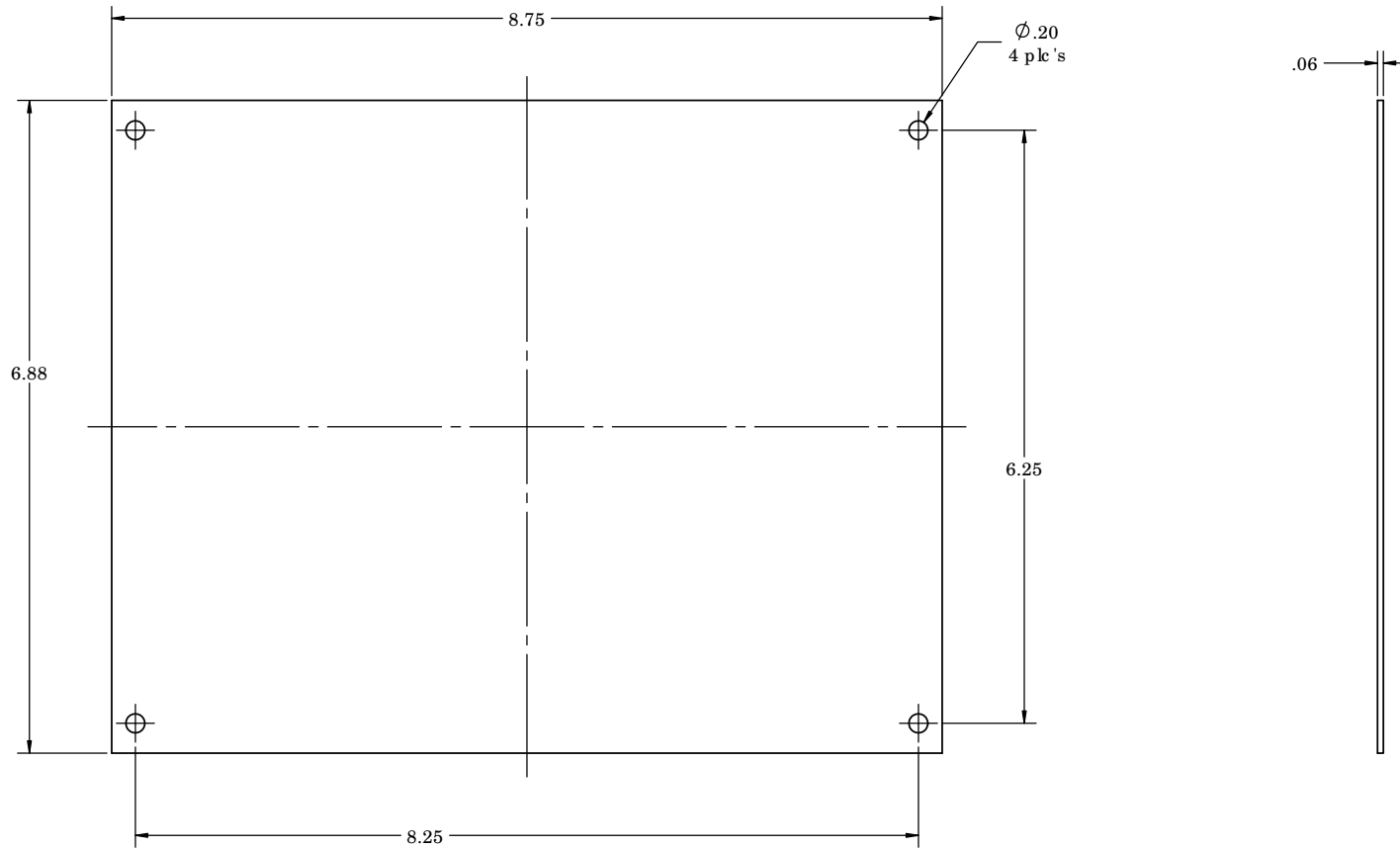
2009 Wright Ave. La Verne, CA 91750  
Ph. (626) 331-0517 Ex. (626) 331-8584 serpac.com



PARTS INCLUDED		
P/N	Qty.	Description
72040	1	Hinged top aluminum panel
6029	4	SS # 10 X 3/8" Pan HLT screw

ALL DIMENSIONS ARE  $\pm .010"$

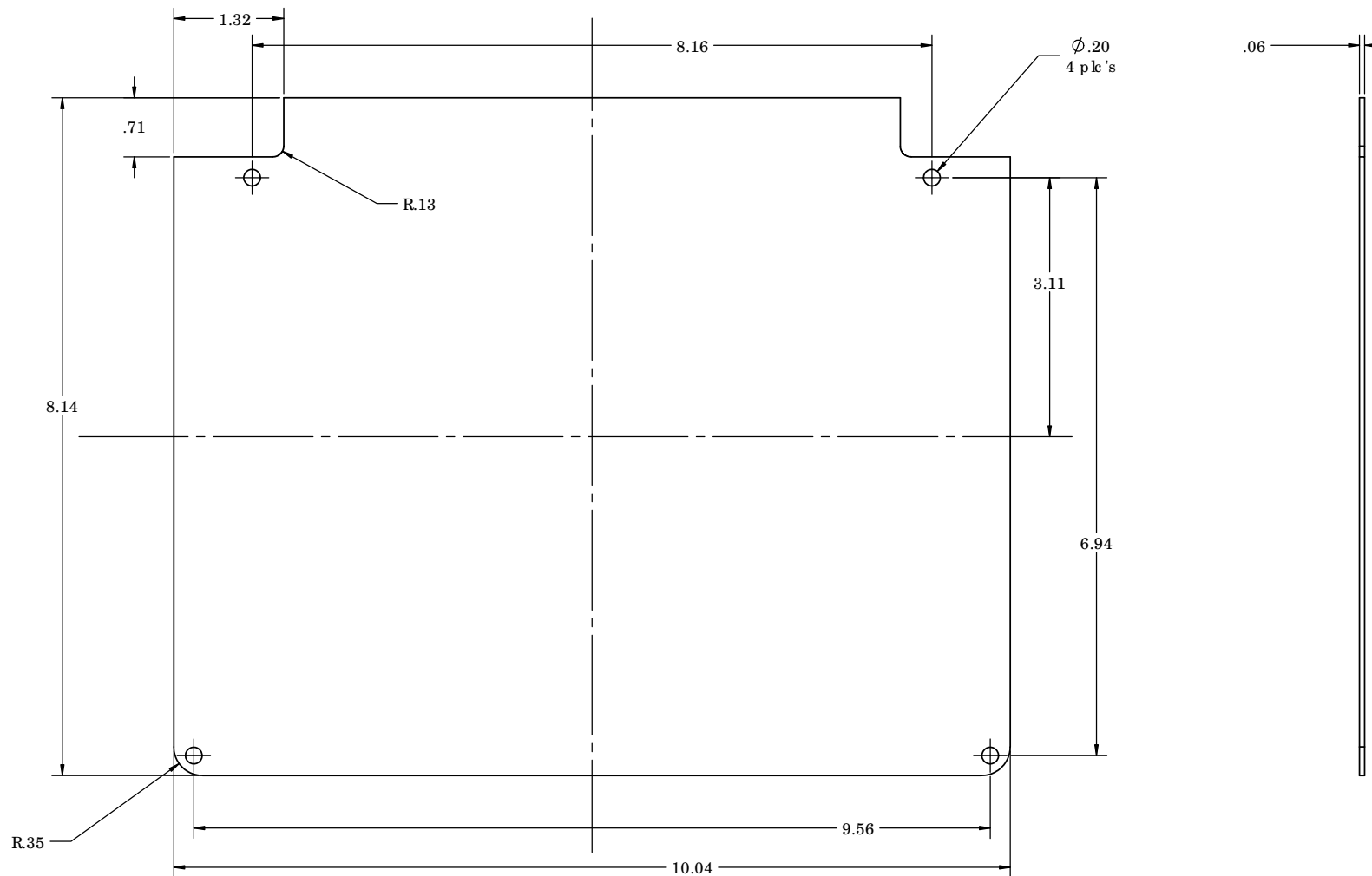
4/3/13



PARTS INCLUDED		
P/N	Qty.	Description
72000	1	Bottom aluminum panel
6029	4	SS # 10 X 3/8" Pan HL Screw

ALL DIMENSIONS ARE  $\pm .010"$

4/3/13



PARTS INCLUDED		
P/N	Qty.	Description
72020	1	Hinged top aluminum panel
6029	2	SS # 10 X 3/8" Pan HL Screw
6030	2	SS # 10 X 3/8" Pan Combo H/L Screw
6105	2	SS # 10-32 X 1/8" Nut

ALL DIMENSIONS ARE  $\pm .010"$  4/3/13