



Chipsmall Limited consists of a professional team with an average of over 10 year of expertise in the distribution of electronic components. Based in Hongkong, we have already established firm and mutual-benefit business relationships with customers from,Europe,America and south Asia,supplying obsolete and hard-to-find components to meet their specific needs.

With the principle of “Quality Parts,Customers Priority,Honest Operation,and Considerate Service”,our business mainly focus on the distribution of electronic components. Line cards we deal with include Microchip,ALPS,ROHM,Xilinx,Pulse,ON,Everlight and Freescale. Main products comprise IC,Modules,Potentiometer,IC Socket,Relay,Connector.Our parts cover such applications as commercial,industrial, and automotives areas.

We are looking forward to setting up business relationship with you and hope to provide you with the best service and solution. Let us make a better world for our industry!



## Contact us

Tel: +86-755-8981 8866 Fax: +86-755-8427 6832

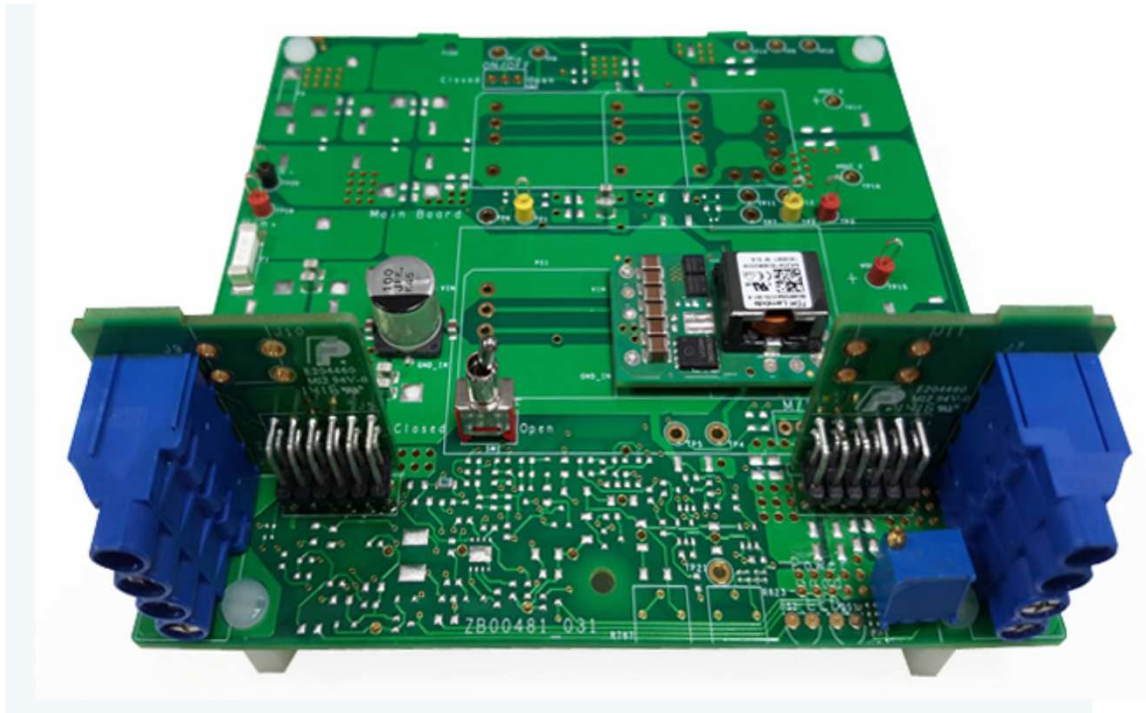
Email & Skype: info@chipsmall.com Web: www.chipsmall.com

Address: A1208, Overseas Decoration Building, #122 Zhenhua RD., Futian, Shenzhen, China



# *TDK-Lambda*

## i6A Series Evaluation Kit





### Part Number & Operating Range

- Single Output

- I6A14A-001-EVK-S1PX

Input Voltage	Output Voltage	Output Current	Maximum Output Power	Efficiency
9V-40V	3.3V to 24V	14A	250W	98%

- I6A20A-001-EVK-S1PX

Input Voltage	Output Voltage	Output Current	Maximum Output Power	Efficiency
9V-53V	3.3V to 15V	20A	250W	97%

- Dual Output

- I6A14A-001-EVK-D2PN

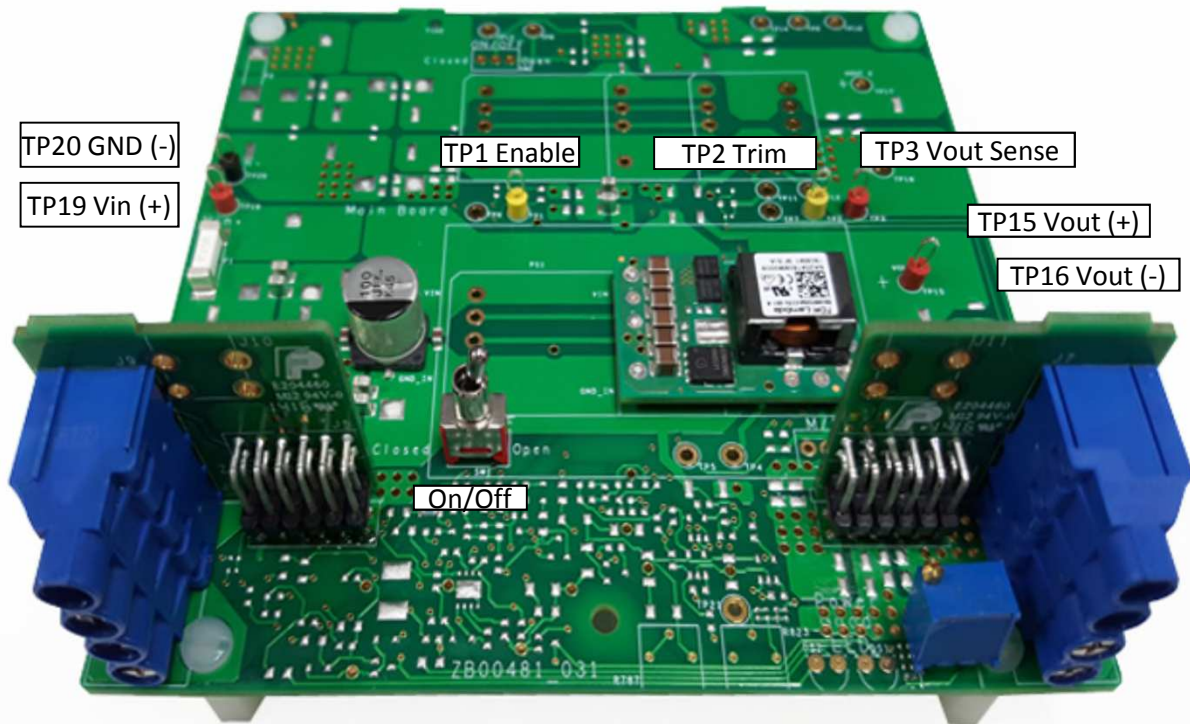
Input Voltage	Output Voltage	Output Current	Maximum Output Power	Efficiency
9V-40V	3.3V to 24V	14A	250W	98%
9V-40V	-3.3V to -30V	8A	75W	94%

- Constant Current Operation

- I6A20A-001-EVK-S1CC

Input Voltage	Output Voltage	Output Current	Maximum Output Power	Efficiency
9V-53V	3.3V to 15V	20A	250W	97%

### Single Output



TP20 GND (-)

TP19 Vin (+)

TP1 Enable

TP2 Trim

TP3 Vout Sense

TP15 Vout (+)

TP16 Vout (-)

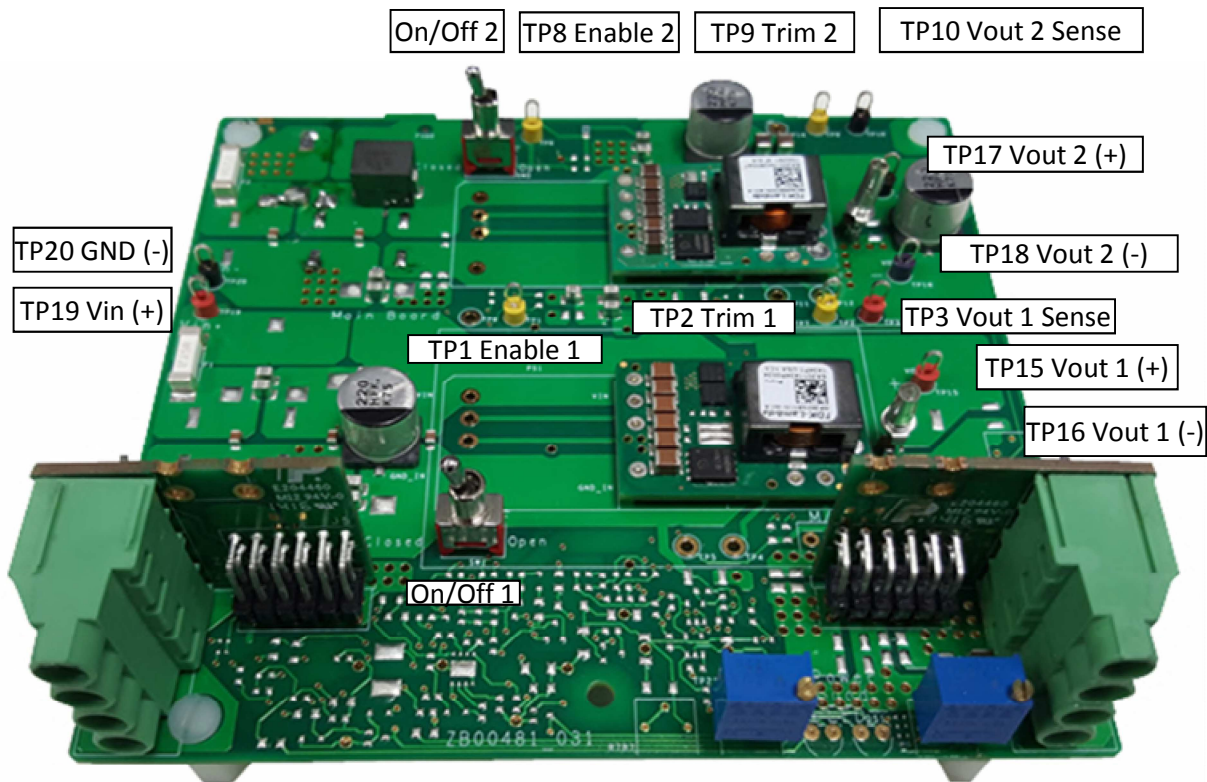
On/Off

Vout Trim Adjust

NC
Enable
Vin (-)
Vin (+)

NC
NC
Vout (-)
Vout (+)

### Dual Output



Enable 2
Enable 1
Vin (-)
Vin (+)

Vout 2 Trim Adjust

Vout 1 Trim Adjust

Vout2 (-)
Vout2 (+)
Vout1 (-)
Vout1 (+)

## Constant Current

For constant current operation, please contact TDK Lambda Americas' Technical support.

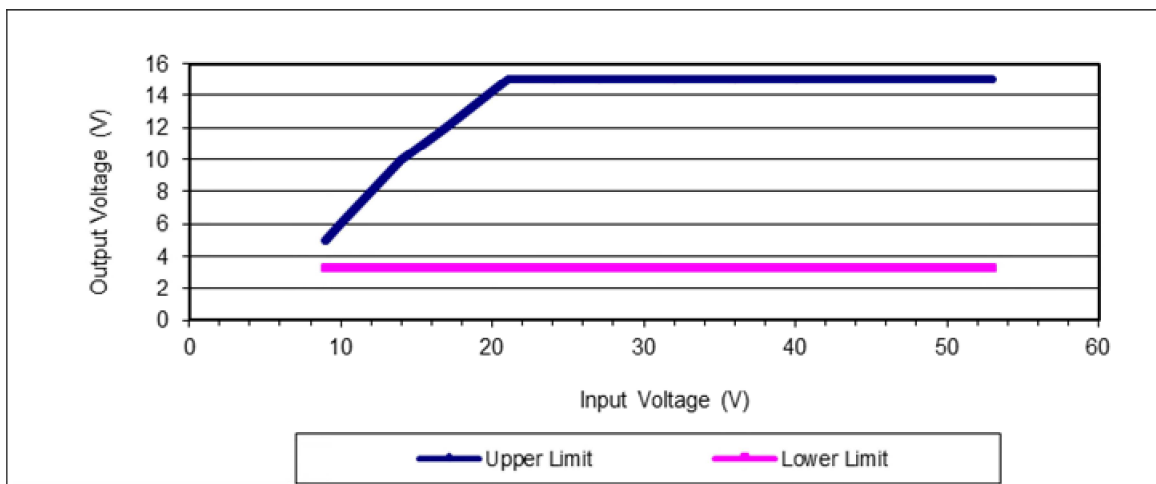
### TDK-Lambda Americas Inc.

401 Mile of Cars Way, Suite 325  
National City, California 91950

Phone (800) 526-2324  
[www.us.tdk-lambda.com/lp](http://www.us.tdk-lambda.com/lp)

1. Once the input voltage is present, the module can be turned ON or OFF by using the ON/OFF toggle switch(s).
2. The user can change the output voltage by using Vout 1 or Vout 2 Trim adjust potentiometers.
3. Please note the specified operating ranges and keep in mind the positive output units are step-down converters. Please also see the product data sheets for more details about the specified operating range for specific units.

As an example for the i6A20A-001-EVK-S1PX:



### Set-up Example – Single Output



Vin

Vout



### Set-up Example – Dual Output



Input voltage monitoring

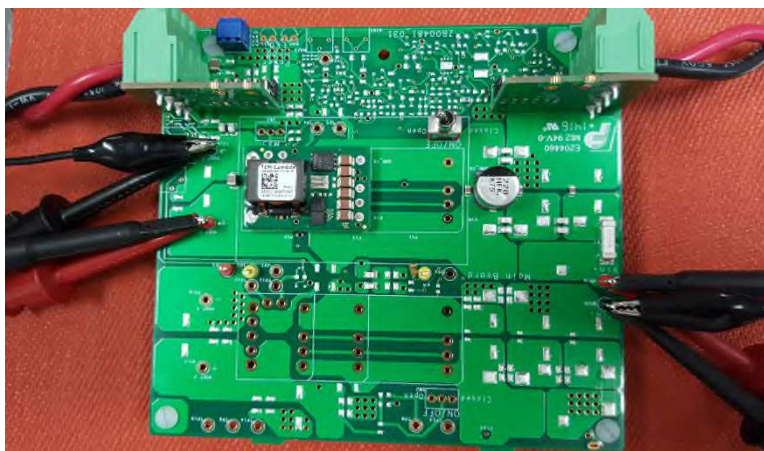
Output voltage monitoring

Input connections

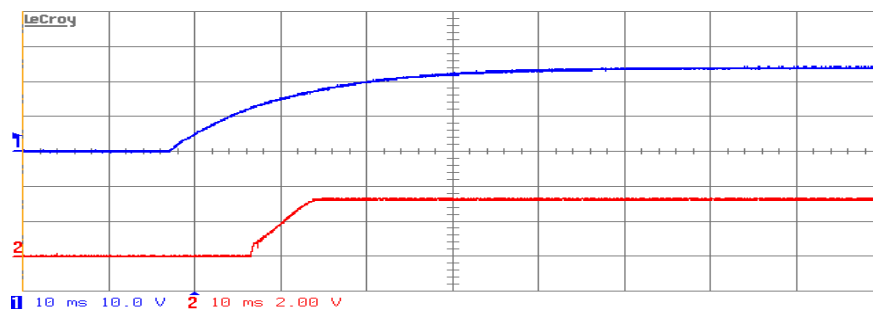
Output connections

### Set-up Example – Single Output Using Scope

A scope probe can be connected at the input or output test points to observe dynamic performance such as start-up or transient response.



Be aware that the loop formed by the scope probe's ground lead may pick up spurious switching noise.

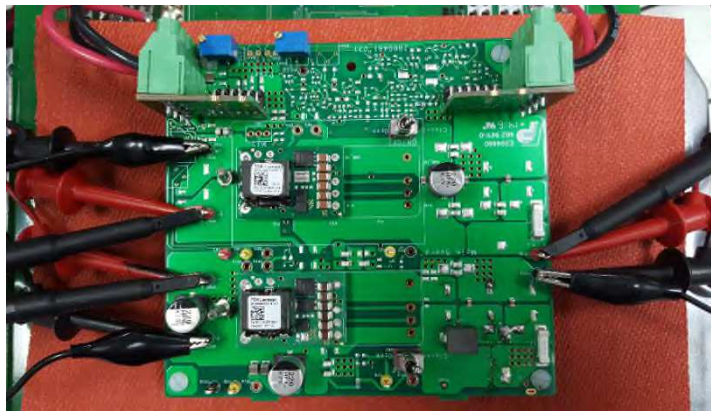


Blue – application of input voltage  
Red – output voltage rising into regulation

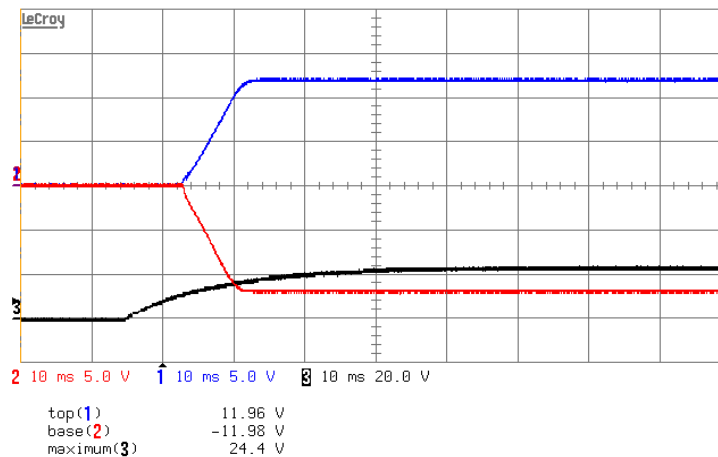
NORMAL

### Set-up Example – Dual (+/-) Output Using Scope

A scope probes can be connected at the input or output test points to observe dynamic performance such as start-up or transient response.



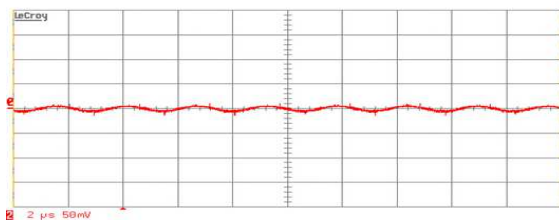
Be aware that the loop formed by the scope probe's ground lead may pick up spurious switching noise.



Black - application of input voltage  
 Blue - positive output voltage  
 Red - negative output voltage

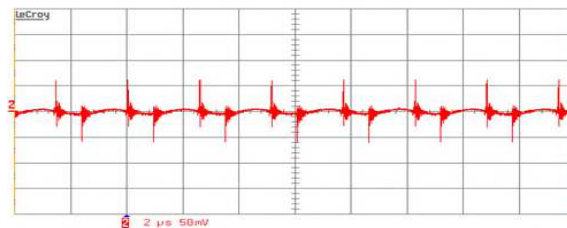
NORMAL

### Set-up Example – Using Scope



AUTO

Full load output ripple with scope socket

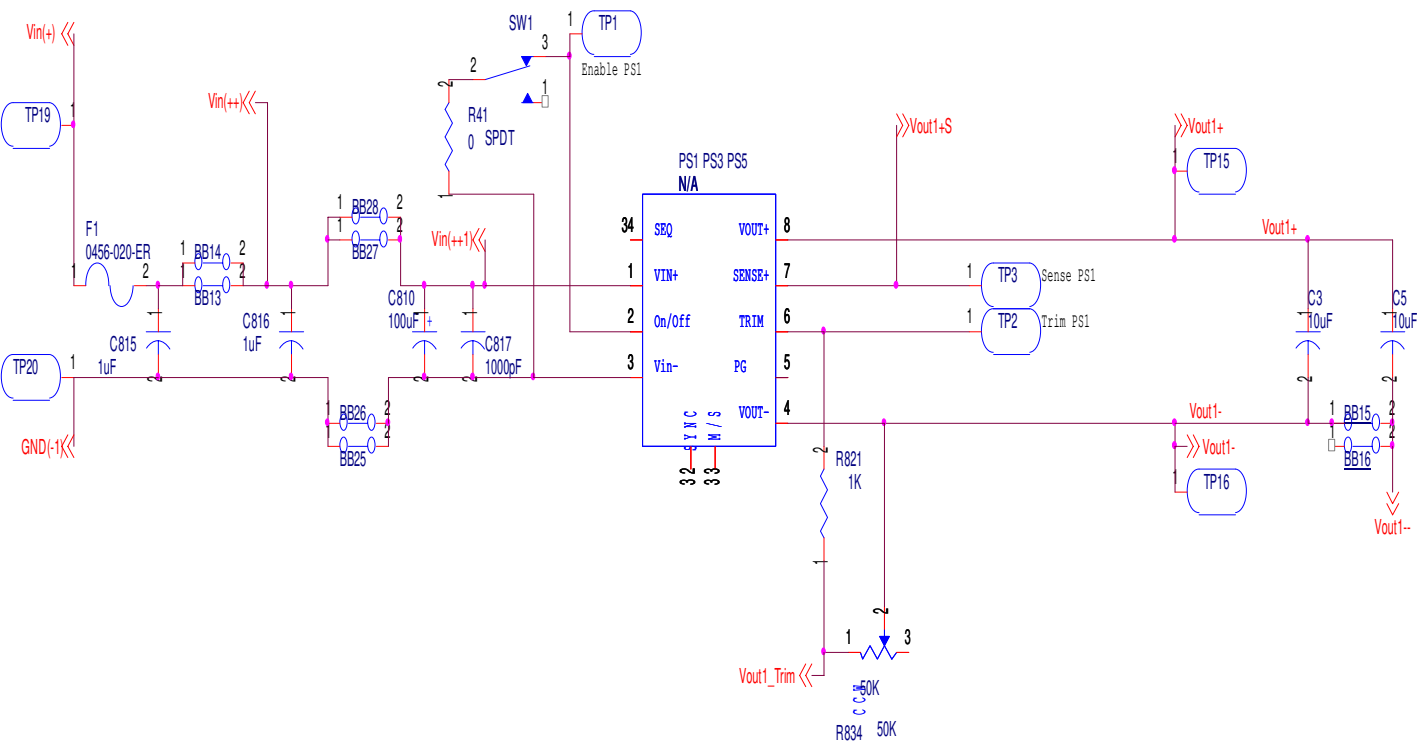


AUTO

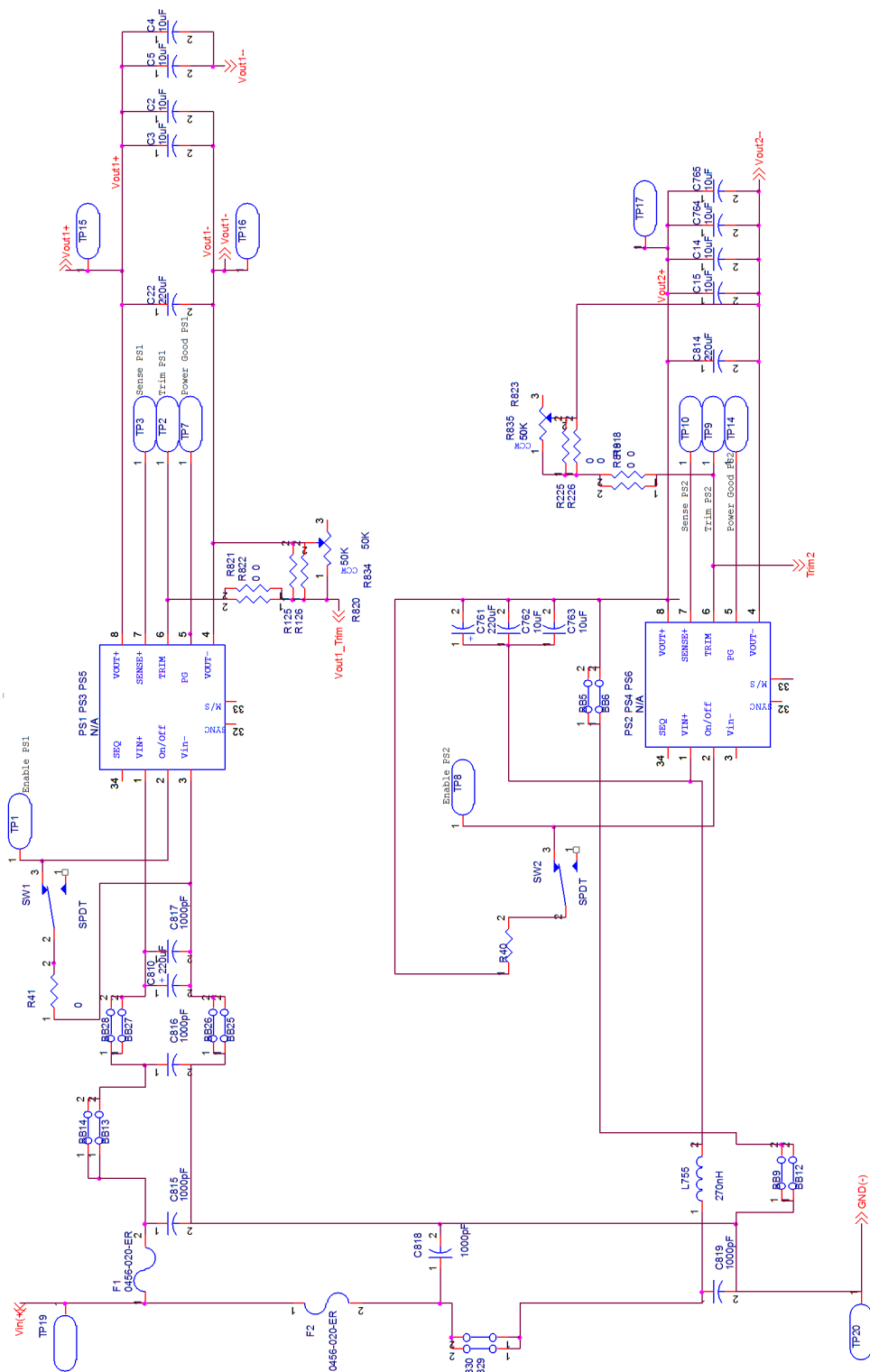
Full load output ripple with ground loop acting as an antenna



## Schematic – Single Output (positive)



### Schematic – Dual (+/-) Output (pos. & neg.)





## BOM – Single Output

### I6A20A-001-EVK-S1PX

Mfr. Name	Mfr. Part Number	Description	Ref Des
TDK	C3225X7S1H106MT	CERAMIC CAPACITOR, 50V, 1210, 10uF, X7S	C5
TDK	C3225X7S1H106MT	CERAMIC CAPACITOR, 50V, 1210, 10uF, X7S	C3
PANASONIC	EEEFK1J101P	CAP, 100UF, 63V, SMT	C810
TDK	C2012X7S2A105K125AB	CERAMIC CAPACITOR, 100V, 0805, 1uF	C815
TDK	C2012X7S2A105K125AB	CERAMIC CAPACITOR, 100V, 0805, 1uF	C817
TDK	C2012X7S2A105K125AB	CERAMIC CAPACITOR, 100V, 0805, 1uF	C816
LITTLEFUSE	0456025.ER	25A SMT Fuse	F1
Power Unit Assembly	I6A4W020A033V-001-R	DCDC Power Module	PS1

### I6A14A-001-EVK-S1PX

Mfr. Name	Mfr. Part Number	Description	Ref Des
TDK	C3225X7S1H106MT	CERAMIC CAPACITOR, 50V, 1210, 10uF, X7S	C5
TDK	C3225X7S1H106MT	CERAMIC CAPACITOR, 50V, 1210, 10uF, X7S	C3
PANASONIC	EEEFK1H221P	CAP, 220UF, 50V, SMT	C810
TDK	C2012X7R1H225K125AC	CERAMIC CAPACITOR, 50V, 0805, 2.2uF	C815
TDK	C2012X7R1H225K125AC	CERAMIC CAPACITOR, 50V, 0805, 2.2uF	C817
TDK	C2012X7R1H225K125AC	CERAMIC CAPACITOR, 50V, 0805, 2.2uF	C816
LITTLEFUSE	0456025.ER	25A SMT Fuse	F1
Power Unit Assembly	I6A24014A033V-001-R	DCDC Power Module	PS1



## BOM – Dual (+/-) Output (pos. & neg.)

I6A14A-001-EVK-D2PN

Mfr. Name	Mfr. Part Number	Description	Ref Des
TDK	C3225X7S1H106MT	CERAMIC CAPACITOR, 50V, 1210, 10uF, X7S	C5
TDK	C3225X7S1H106MT	CERAMIC CAPACITOR, 50V, 1210, 10uF, X7S	C3
TDK	C3225X7S1H106MT	CERAMIC CAPACITOR, 50V, 1210, 10uF, X7S	C14
TDK	C3225X7S1H106MT	CERAMIC CAPACITOR, 50V, 1210, 10uF, X7S	C762
TDK	C3225X7S1H106MT	CERAMIC CAPACITOR, 50V, 1210, 10uF, X7S	C763
PANASONIC	EEEFK1H221P	CAP, 220UF, 50V, SMT	C810
PANASONIC	EEEFK1H221P	CAP, 220UF, 50V, SMT	C814
PANASONIC	EEEFK1H221P	CAP, 220UF, 50V, SMT	C761
TDK	C2012X7R1H225K125AC	CERAMIC CAPACITOR, 50V, 0805, 2.2uF	C815
TDK	C2012X7R1H225K125AC	CERAMIC CAPACITOR, 50V, 0805, 2.2uF	C817
TDK	C2012X7R1H225K125AC	CERAMIC CAPACITOR, 50V, 0805, 2.2uF	C816
TDK	C2012X7R1H225K125AC	CERAMIC CAPACITOR, 50V, 0805, 2.2uF	C818
TDK	C2012X7R1H225K125AC	CERAMIC CAPACITOR, 50V, 0805, 2.2uF	C819
LITTLEFUSE	0456025.ER	25A SMT Fuse	F1
LITTLEFUSE	0456025.ER	25A SMT Fuse	F2
Power Unit Assembly	I6A24014A033V-001-R	DCDC Power Module	PS1
Power Unit Assembly	I6A24008A033V-N01-R	DCDC Power Module	PS2