



Chipsmall Limited consists of a professional team with an average of over 10 year of expertise in the distribution of electronic components. Based in Hongkong, we have already established firm and mutual-benefit business relationships with customers from,Europe,America and south Asia,supplying obsolete and hard-to-find components to meet their specific needs.

With the principle of "Quality Parts,Customers Priority,Honest Operation,and Considerate Service",our business mainly focus on the distribution of electronic components. Line cards we deal with include Microchip,ALPS,ROHM,Xilinx,Pulse,ON,Everlight and Freescale. Main products comprise IC,Modules,Potentiometer,IC Socket,Relay,Connector.Our parts cover such applications as commercial,industrial, and automotives areas.

We are looking forward to setting up business relationship with you and hope to provide you with the best service and solution. Let us make a better world for our industry!



## Contact us

Tel: +86-755-8981 8866 Fax: +86-755-8427 6832

Email & Skype: info@chipsmall.com Web: www.chipsmall.com

Address: A1208, Overseas Decoration Building, #122 Zhenhua RD., Futian, Shenzhen, China



# Proximity Sensors Inductive

## Short body, Stainless Steel Housing

### Types IA, M8

CARLO GAVAZZI



- Miniature stainless steel housing M8
- Short body
- Sensing distance: 1.5 mm or 2.5 mm
- Power supply: 10 to 30 VDC
- Output: Transistor NPN/PNP, normally open or normally closed
- Protection: Short-circuit
- LED-indication for output ON
- 2 m PVC cable or M8 plug



## Product Description

Miniature inductive proximity sensor with reduced body length. Output configuration for NPN/PNP with both NO and NC types as standard. M8 stainless steel housing. Connection with 2 m PVC cable or M8 plug.

## Ordering Key

**IA 08 BSF 15 NO M5**

Ind. prox. switch	IA
Housing style	08
Housing size	BSF
Housing material	15
Housing length	NO
Detection principle	M5
Sensing distance	
Output type	
Output configuration	
Connection	

## Type Selection

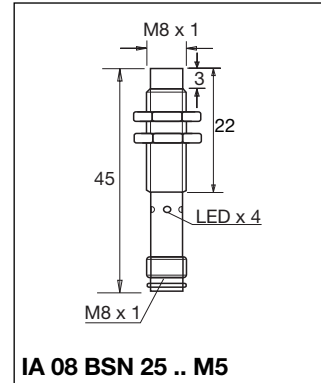
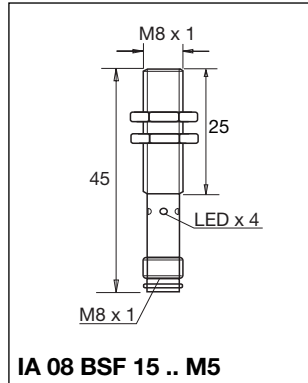
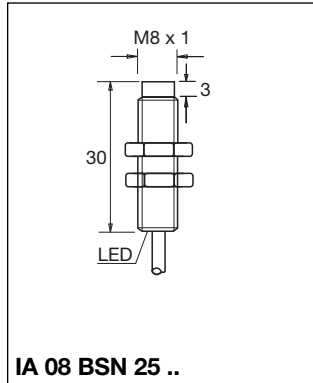
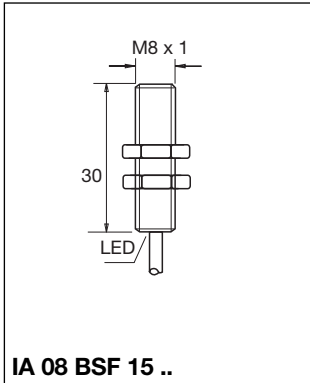
Rated operating dist. (S <sub>n</sub> )	Conn. type	Ordering no. Transistor NPN Normally open	Ordering no. Transistor NPN Normally closed	Ordering no. Transistor PNP Normally open	Ordering no. Transistor PNP Normally closed
1.5 mm <sup>1)</sup>	Cable	IA 08 BSF 15 NO	IA 08 BSF 15 NC	IA 08 BSF 15 PO	IA 08 BSF 15 PC
1.5 mm <sup>1)</sup>	Plug	IA 08 BSF 15 NO M5	IA 08 BSF 15 NC M5	IA 08 BSF 15 PO M5	IA 08 BSF 15 PC M5
2.5 mm	Cable	IA 08 BSN 25 NO	IA 08 BSN 25 NC	IA 08 BSN 25 PO	IA 08 BSN 25 PC
2.5 mm	Plug	IA 08 BSN 25 NO M5	IA 08 BSN 25 NC M5	IA 08 BSN 25 PO M5	IA 08 BSN 25 PC M5

<sup>1)</sup> For flush mounting in metal

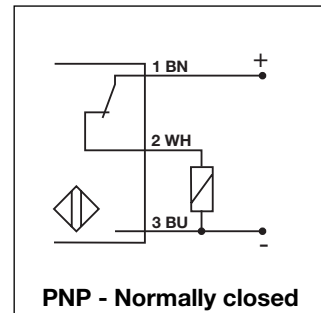
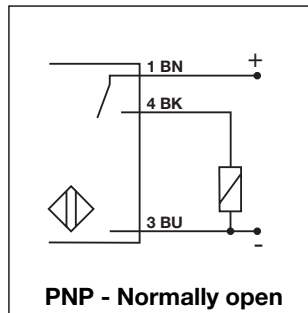
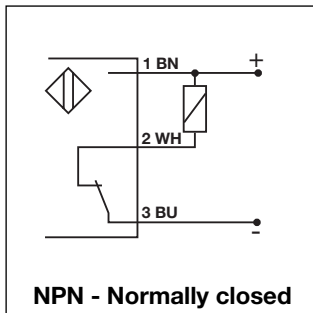
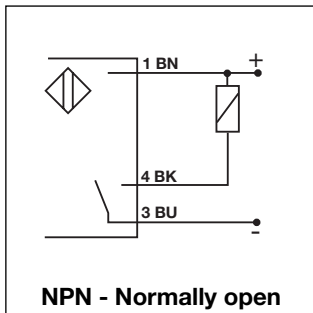
## Specifications

Rated operational volt. (U <sub>B</sub> )	10 to 30 VDC (ripple included)	Ambient temperature	
Ripple	≤ 10%	Operating	-25° to +70°C (-13° to +158°F)
Rated operational current (I <sub>a</sub> )		Storage	-30° to +75°C (-22° to +167°F)
Continuous	≤ 200 mA @ + 25°C (+75°F)	Degree of protection	IP 67 (Nema 1, 3, 4, 6, 13)
No-load supply current (I <sub>o</sub> )	≤ 10 mA (ON)	Housing material	Stainless steel, AISI 303
Voltage drop (U <sub>d</sub> )	< 2,5 V (@ I <sub>max</sub> )	Approvals	UL, CSA
Protection	Short circuit	CE-marking	Yes
Frequency of operating cycles (f)	2000 Hz	Connection	
Indication for output ON	LED, yellow	Cable	2 m, PVC, AWG 26, oil proof
Repeat Accuracy	≤ 5%	Plug	M8, CONH5A-xxx Serie
Effective operating dist. (S <sub>r</sub> )	0.9 x S <sub>n</sub> ≤ S <sub>r</sub> ≤ 1.1 x S <sub>n</sub>		
Usable operating dist. (S <sub>u</sub> )	0.85 x S <sub>r</sub> ≤ S <sub>u</sub> ≤ 1.15 x S <sub>r</sub>		

## Dimensions



## Wiring Diagrams



## Installation Hints

