



Chipsmall Limited consists of a professional team with an average of over 10 year of expertise in the distribution of electronic components. Based in Hongkong, we have already established firm and mutual-benefit business relationships with customers from,Europe,America and south Asia,supplying obsolete and hard-to-find components to meet their specific needs.

With the principle of "Quality Parts,Customers Priority,Honest Operation,and Considerate Service",our business mainly focus on the distribution of electronic components. Line cards we deal with include Microchip,ALPS,ROHM,Xilinx,Pulse,ON,Everlight and Freescale. Main products comprise IC,Modules,Potentiometer,IC Socket,Relay,Connector.Our parts cover such applications as commercial,industrial, and automotives areas.

We are looking forward to setting up business relationship with you and hope to provide you with the best service and solution. Let us make a better world for our industry!



Contact us

Tel: +86-755-8981 8866 Fax: +86-755-8427 6832

Email & Skype: info@chipsmall.com Web: www.chipsmall.com

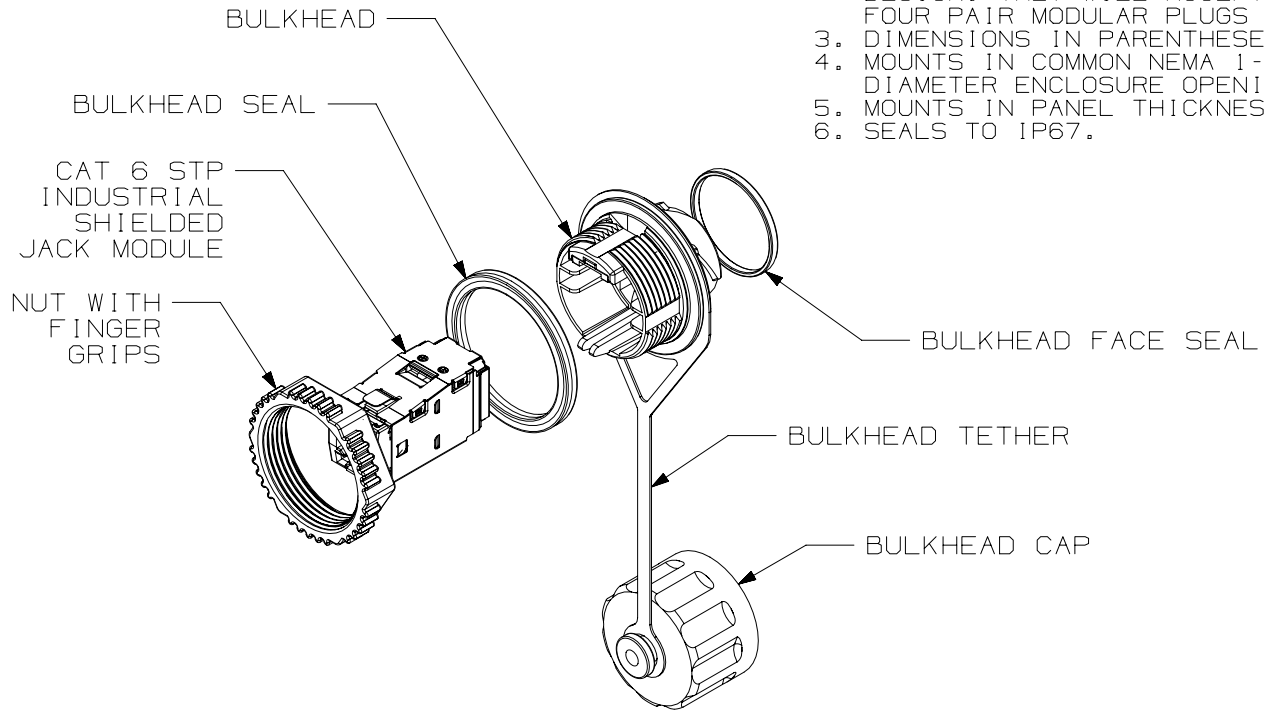
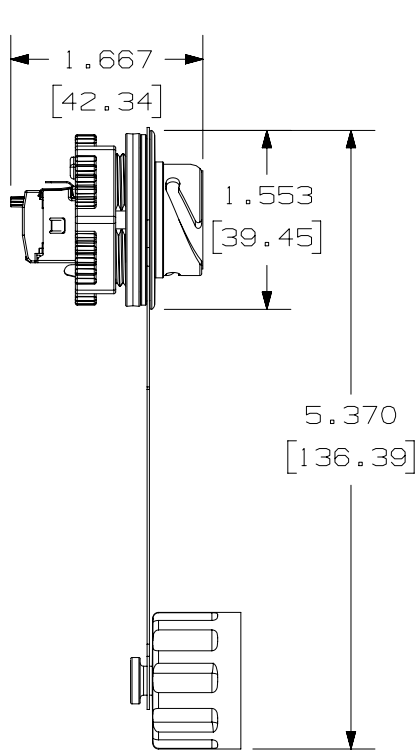
Address: A1208, Overseas Decoration Building, #122 Zhenhua RD., Futian, Shenzhen, China



THIS COPY IS PROVIDED ON A RESTRICTED BASIS AND IS NOT TO BE USED IN ANY WAY DETRIMENTAL TO THE INTERESTS OF PANDUIT CORP.

NOTES:

1. SEE CURRENT CATALOG FOR ADDITIONAL P/N SUFFIXES TO INDICATE PACKAGE QUANTITY.
2. ALL MINI-JACK 8 POSITION, 8 WIRE CONNECTOR MODULES ARE UNIVERSAL IN DESIGN. THEY WILL ACCEPT TWO, THREE, OR FOUR PAIR MODULAR PLUGS WITHOUT DAMAGE.
3. DIMENSIONS IN PARENTHESES ARE METRIC.
4. MOUNTS IN COMMON NEMA 1-13/64" (30.5mm) DIAMETER ENCLOSURE OPENING.
5. MOUNTS IN PANEL THICKNESS OF .035-.135"
6. SEALS TO IP67.



PART NUMBER		I AEBH6S	
TITLE		INDUSTRIAL TX6 CONNECTOR SHIELDED JACK MODULE WITH BULKHEAD	
		CUSTOMER DRAWING	
ITEM REVISION NAME		M01245AU/07	
DATASET FILE NAME		M01245AU_DC78/07A	
UNLESS OTHERWISE SPECIFIED, DIMENSIONAL TOLERANCES ARE: IN (mm)		MATERIAL:	
.x ± .xxx ± .010 (.3)			
.xx ± .03 (.8) ANGLES ±		DRAWING NUMBER:	
THIRD ANGLE PROJECTION		01245-78	
DRAWN BY	DATE	CHK	SCALE
BJN	5-16-14	CEF	NONE
REV	DATE	BY	CHK
2	5-9-16	BJN	JAV
1	5-16-14	TA	REFR
R	10-30-06	BJN	CEF
DESCRIPTION		ECN	
UPDATED		01245-78	
REVISED TITLE BLOCK		01245-78	
RELEASED TO PRODUCTION		01245-78	
DESCRIPTION		SHT 1 OF 1	
		A	

D10100DA/14

2

1

2

1