



Chipsmall Limited consists of a professional team with an average of over 10 year of expertise in the distribution of electronic components. Based in Hongkong, we have already established firm and mutual-benefit business relationships with customers from,Europe,America and south Asia,supplying obsolete and hard-to-find components to meet their specific needs.

With the principle of “Quality Parts,Customers Priority,Honest Operation,and Considerate Service”,our business mainly focus on the distribution of electronic components. Line cards we deal with include Microchip,ALPS,ROHM,Xilinx,Pulse,ON,Everlight and Freescale. Main products comprise IC,Modules,Potentiometer,IC Socket,Relay,Connector.Our parts cover such applications as commercial,industrial, and automotives areas.

We are looking forward to setting up business relationship with you and hope to provide you with the best service and solution. Let us make a better world for our industry!



Contact us

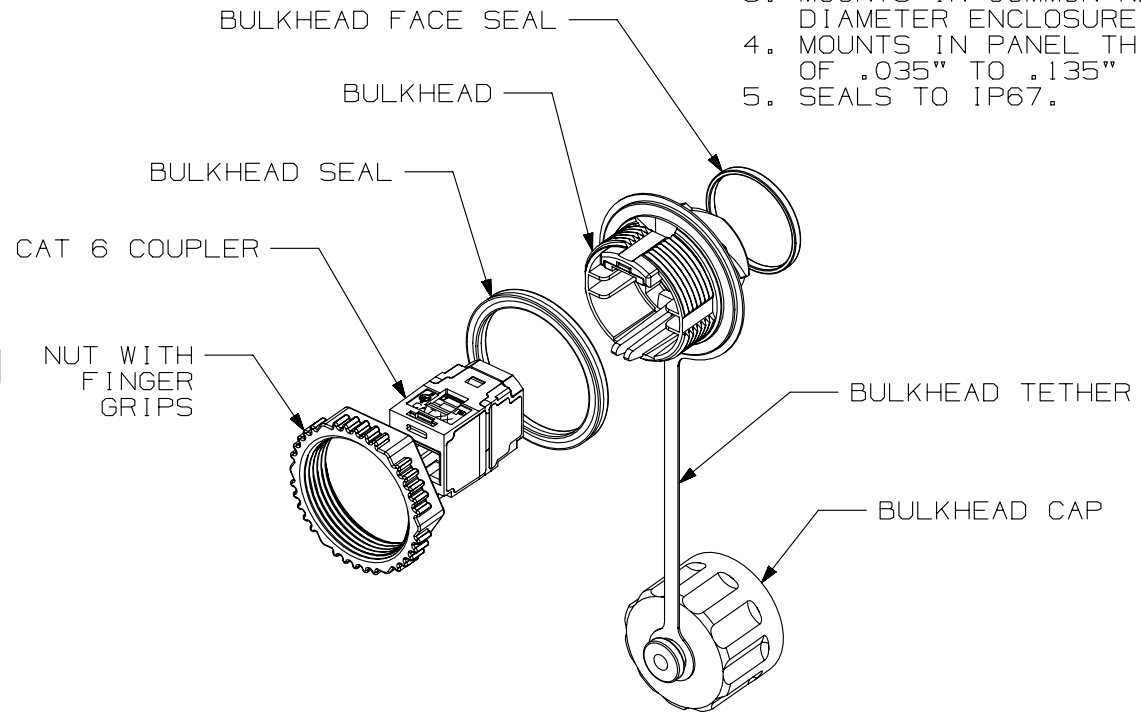
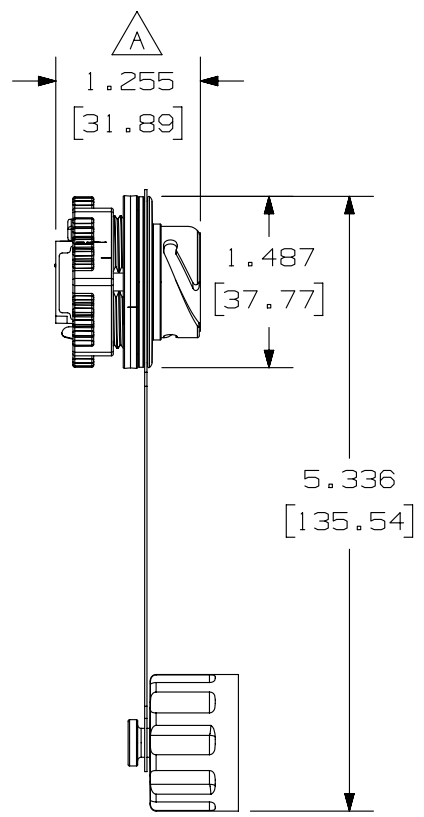
Tel: +86-755-8981 8866 Fax: +86-755-8427 6832

Email & Skype: info@chipsmall.com Web: www.chipsmall.com

Address: A1208, Overseas Decoration Building, #122 Zhenhua RD., Futian, Shenzhen, China



THIS COPY IS PROVIDED ON A RESTRICTED BASIS AND IS NOT TO BE USED IN ANY WAY DETRIMENTAL TO THE INTERESTS OF PANDUIT CORP.



- NOTES:
1. SEE CURRENT CATALOG FOR ADDITIONAL PART NUMBER SUFFIXES TO INDICATE PACKAGE QUANTITY.
 2. DIMENSIONS IN PARENTHESES ARE METRIC.
 3. MOUNTS IN COMMON NEMA 1-13/64" (30.5mm) DIAMETER ENCLOSURE OPENING.
 4. MOUNTS IN PANEL THICKNESS OF .035" TO .135"
 5. SEALS TO IP67.

PART NUMBER		IAEBHC6	
TITLE		INDUSTRIALNET TX6 PLUG TO PLUG COUPLER WITH BULKHEAD CUSTOMER DRAWING	
ITEM REVISION NAME		M02731CB/01	
DATASET FILE NAME		M02731CB_DC17/01A	
UNLESS OTHERWISE SPECIFIED, DIMENSIONAL TOLERANCES ARE: IN (mm)			
.x ± .xxx ± .010 (.3) .xx ± .03 (.8) ANGLS ±			
DRAWING NUMBER:		02731-17	
DRAWN BY	DATE	CHK	SCALE
NER	7-27-07	CEF	NONE
SHT 1 OF 1		A	

REV	DATE	BY	CHK	APR	DESCRIPTION	ECN
1	5-15-14	TA	REFR	REFR	REVISED TITLE BLOCK	02731-17
R	7-27-07	NER	CEF	CEF	RELEASED TO PRODUCTION	02731-17

D10100DA/14