



Chipsmall Limited consists of a professional team with an average of over 10 year of expertise in the distribution of electronic components. Based in Hongkong, we have already established firm and mutual-benefit business relationships with customers from,Europe,America and south Asia,supplying obsolete and hard-to-find components to meet their specific needs.

With the principle of “Quality Parts,Customers Priority,Honest Operation,and Considerate Service”,our business mainly focus on the distribution of electronic components. Line cards we deal with include Microchip,ALPS,ROHM,Xilinx,Pulse,ON,Everlight and Freescale. Main products comprise IC,Modules,Potentiometer,IC Socket,Relay,Connector.Our parts cover such applications as commercial,industrial, and automotives areas.

We are looking forward to setting up business relationship with you and hope to provide you with the best service and solution. Let us make a better world for our industry!



Contact us

Tel: +86-755-8981 8866 Fax: +86-755-8427 6832

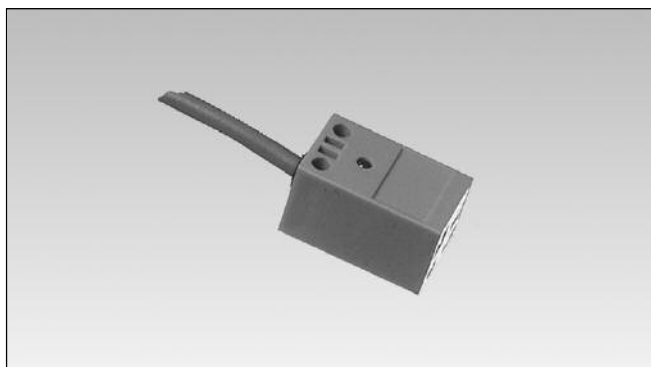
Email & Skype: info@chipsmall.com Web: www.chipsmall.com

Address: A1208, Overseas Decoration Building, #122 Zhenhua RD., Futian, Shenzhen, China



Proximity Sensors Inductive Rectangular Plastic Housings Types IC, Cable

CARLO GAVAZZI



- Plastic housing
- Sensing distance: 4 mm
- Non-flush mounting
- Output: Transistor, NPN/PNP, normally open
- Power supply: 10 to 30 VDC
- 2 m PVC cable

Product Description

Inductive proximity sensor in rectangular plastic housing. This series is suitable for the control of axial and rotational movements. Output con-

figured as PNP or NPN, normally open. Connection with 2 m PVC cable.

Ordering Key

IC 17 CNC 04 NO-K

Ind. prox. switch	_____
Housing style	_____
Housing size	_____
Housing material	_____
Housing length	_____
Detection principle	_____
Sensing distance	_____
Output type	_____
Output configuration	_____

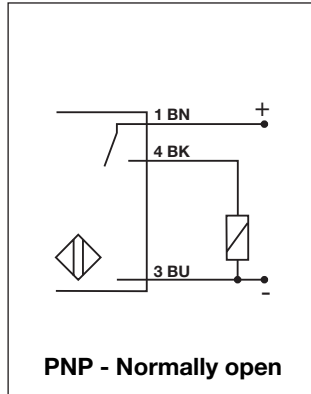
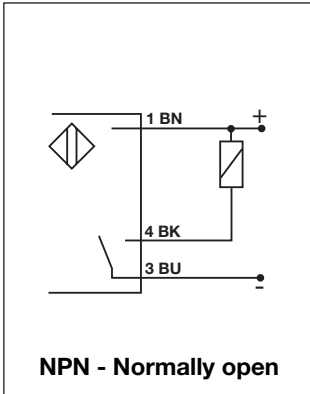
Type Selection

Rated op. dist. (S _n)	Connection	Housing dimensions [mm]	Ordering no. Transistor, NPN Normally open	Ordering no. Transistor, PNP Normally open
4 mm	Cable	17.5 x 17 x 28.5	IC 17 CNC 04 NO-K	IC 17 CNC 04 PO-K

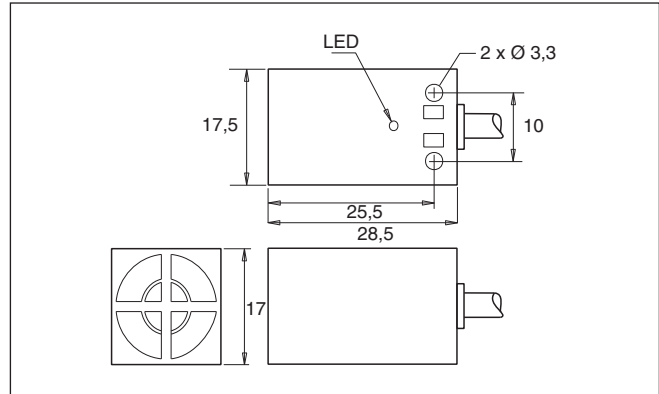
Specifications

Rated operational volt. (U _B)	10 to 30 VDC (ripple included)	Sensing distance	4 mm
Ripple	≤ 10%	Effective operating dist. (S _r)	0.9 x S _n ≤ S _r ≤ 1.1 x S _n
Rated operational current (I _e) Continuous	≤ 100 mA @ 25°C	Usable operating dist. (S _u)	0.85 x S _r ≤ S _u ≤ 1.15 x S _r
No-load supply current (I _o)	≤ 12 mA (ON)	Ambient temperature Operating	-25° to +70°C (-13° to +158°F)
Voltage drop (U _d)	< 1 V (@ I _{max})	Storage	-30° to +75°C (-22° to +167°F)
Frequency of op. cycles (f)	500 Hz	Degree of protection	IP 67 (Nema 1, 3, 4, 6, 13)
Indication for output ON	LED, yellow	Housing material	Plastic
		CE-marking	Yes
		Connection	Cable, 2 m, PVC, AWG 26

Wiring Diagrams

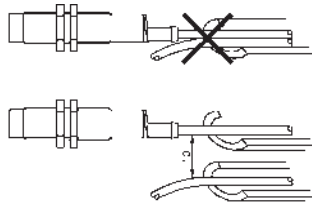


Dimensions

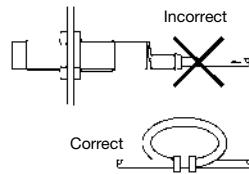


Installation Hints

To avoid interference from inductive voltage/current peaks, separate the prox. switch power cables from any other power cables, e.g. motor, contactor or solenoid cables

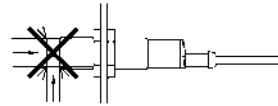


Relief of cable strain



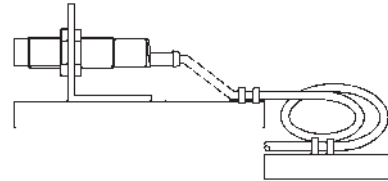
The cable should not be pulled

Protection of the sensing face



A proximity switch should not serve as mechanical stop

Switch mounted on mobile carrier



Any repetitive flexing of the cable should be avoided