



Chipsmall Limited consists of a professional team with an average of over 10 year of expertise in the distribution of electronic components. Based in Hongkong, we have already established firm and mutual-benefit business relationships with customers from,Europe,America and south Asia,supplying obsolete and hard-to-find components to meet their specific needs.

With the principle of “Quality Parts,Customers Priority,Honest Operation,and Considerate Service”,our business mainly focus on the distribution of electronic components. Line cards we deal with include Microchip,ALPS,ROHM,Xilinx,Pulse,ON,Everlight and Freescale. Main products comprise IC,Modules,Potentiometer,IC Socket,Relay,Connector.Our parts cover such applications as commercial,industrial, and automotives areas.

We are looking forward to setting up business relationship with you and hope to provide you with the best service and solution. Let us make a better world for our industry!



Contact us

Tel: +86-755-8981 8866 Fax: +86-755-8427 6832

Email & Skype: info@chipsmall.com Web: www.chipsmall.com

Address: A1208, Overseas Decoration Building, #122 Zhenhua RD., Futian, Shenzhen, China



PRODUCT NUMBER

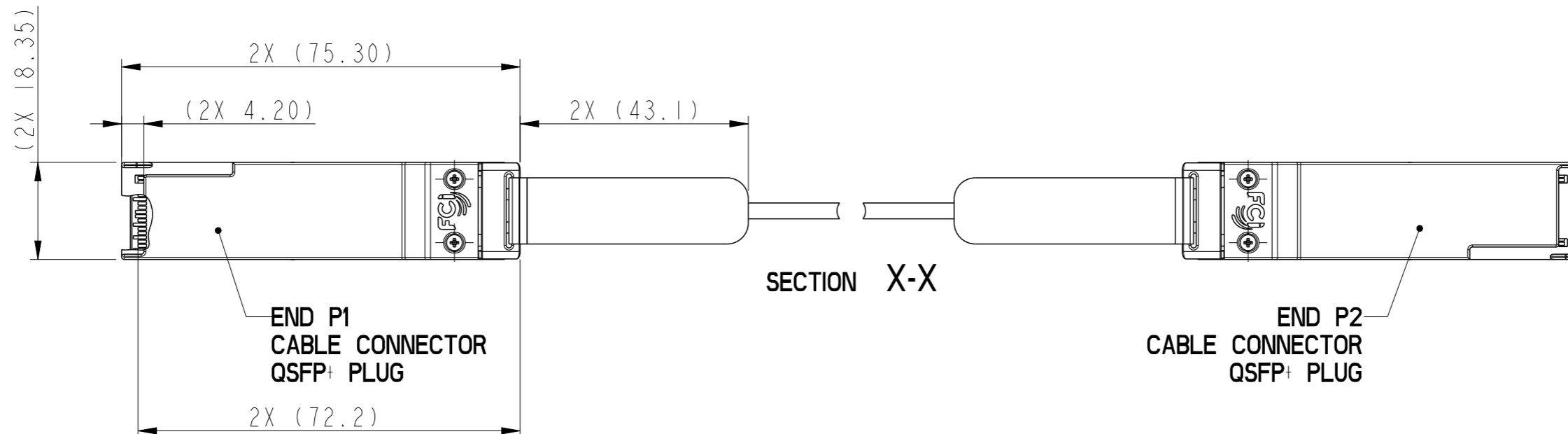
ICD040GVP163X-XX

PRODUCT NUMBER DESCRIPTION:

ICD040GVP163 X - XX

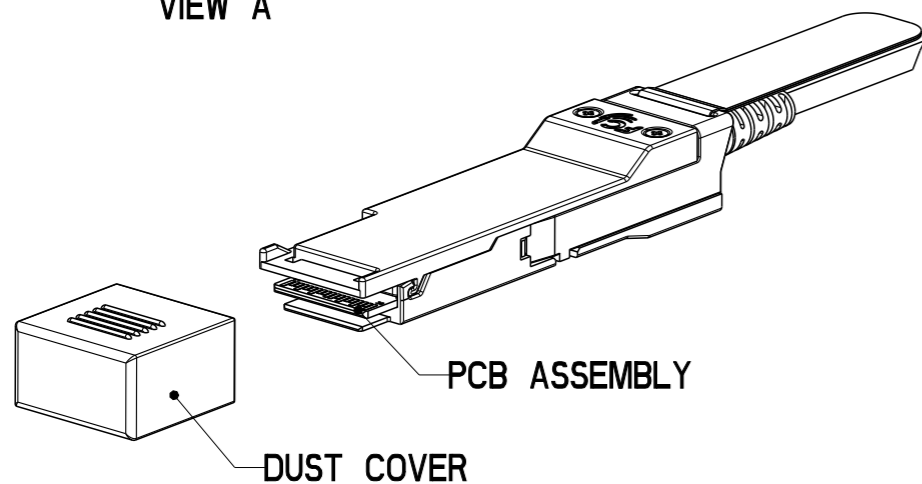
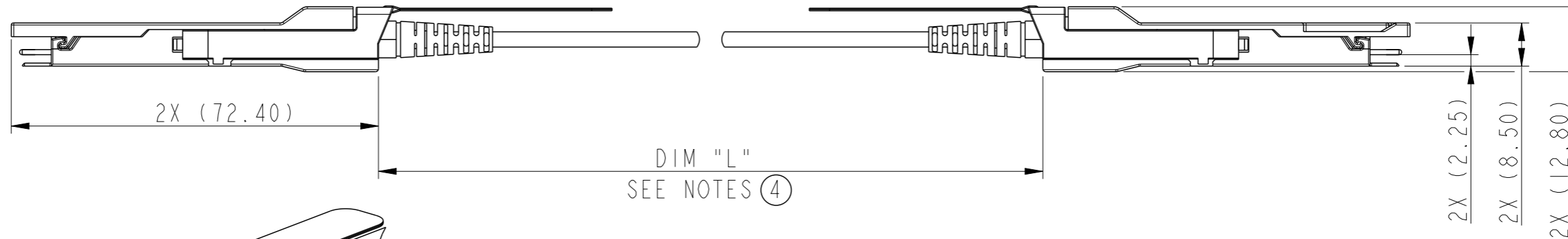
LENGTH
 XX= METERS
 EXAMPLE : 05 = 05 METERS (DIM "L")
 C0 = 100 METERS (DIM "L")

DIGITAL DIAGNOSTIC MONITORING
 D : WITH DDM SUPPORT
 O : WITHOUT DDM SUPPORT



VIEW A

VIEW A



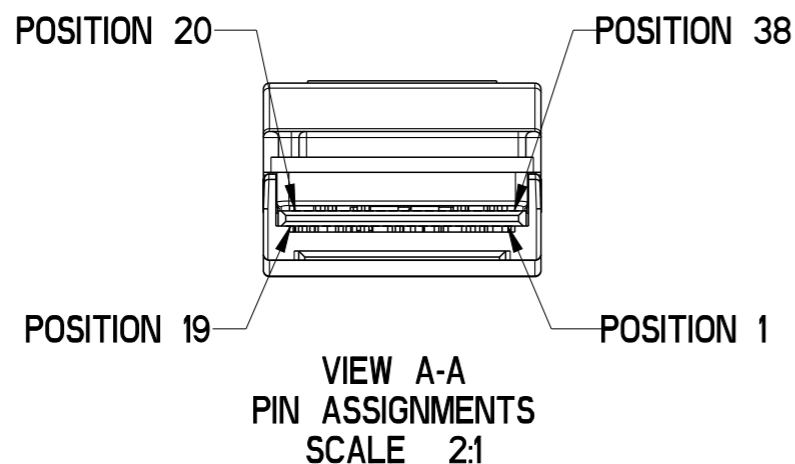
spec ref	-	dr	M Srinivasan	2011/12/09	projection	MM	size	A3	scale	1:1																	
tolerance std	ASME Y14.5	eng	Andreas Krink	2012/03/14			ecn no	A3	rel level	Released																	
TOLERANCES UNLESS OTHERWISE SPECIFIED		chr	-	2012/03/14							product family	QSFP+ AOC															
surface	<table border="1"> <tr> <td>linear</td> <td>0.X</td> <td>±0.3</td> </tr> <tr> <td></td> <td>0.XX</td> <td>±0.10</td> </tr> <tr> <td></td> <td>0.XXX</td> <td>±0.05</td> </tr> <tr> <td>angular</td> <td>0°</td> <td>±2°</td> </tr> </table>	linear	0.X	±0.3		0.XX	±0.10		0.XXX	±0.05	angular	0°	±2°		<table border="1"> <tr> <td>title</td> <td>STRAIGHT BOOT PRODUCT ASSEMBLY</td> <td>dwg no</td> <td>ICD040GVP163X</td> <td>rev</td> <td>D</td> </tr> <tr> <td>cat. no.</td> <td>-</td> <td>Product - Customer Drw</td> <td>sheet 1 of 2</td> <td></td> <td></td> </tr> </table>	title	STRAIGHT BOOT PRODUCT ASSEMBLY	dwg no	ICD040GVP163X	rev	D	cat. no.	-	Product - Customer Drw	sheet 1 of 2		
linear	0.X	±0.3																									
	0.XX	±0.10																									
	0.XXX	±0.05																									
angular	0°	±2°																									
title	STRAIGHT BOOT PRODUCT ASSEMBLY	dwg no	ICD040GVP163X	rev	D																						
cat. no.	-	Product - Customer Drw	sheet 1 of 2																								

PRODUCT NUMBER

ICD040GVP163X-XX

EDGE CONNECTOR PAD DESCRIPTION

POSITION	SYMBOL	POSITION	SYMBOL
19	GND	20	GND
18	RX1n	21	RX2n
17	RX1p	22	RX2p
16	GND	23	GND
15	RX3n	24	RX4n
14	RX3p	25	RX4p
13	GND	26	GND
12	SDA	27	ModPrsL
11	SCL	28	IntL
10	VccRx	29	VccTx
9	ResetL	30	VccI
8	ModSeIL	31	LPMode
7	GND	32	GND
6	TX4p	33	TX3p
5	TX4n	34	TX3n
4	GND	35	GND
3	TX2p	36	TX1p
2	TX2n	37	TX1n
1	GND	38	GND



NOTES:

- MATERIAL:
 COVERS : ZINC ALLOY/ COPPER UNDERPLATE/ NICKEL OVERPLATE
 PULL TAB : THERMOPLASTIC POLYMER
 LATCH RELEASE: ZINC ALLOY/ COPPER UNDERPLATE/ NICKEL OVERPLATE
 DRIVE SCREWS: STAINLESS STEEL
 STRAIN RELIEF BOOT : THERMOPLASTIC
 SPRING : STAINLESS STEEL
 PADDLE CARD: PRINTED CIRCUIT SUBSTRATE-FR4.
 DUST COVER : POLY ETHYLENE
 TOP & BOTTOM BLISTER (NOT SHOWN) : PET
 PACKAGING: FOR CABLE-LENGTH >30M ONE BOX-SET IS USED INSTEAD OF TOP/BOTTOM BLISTER
 BOX-SET MATERIAL: PAPERBOARD AND ANTISTATIC PLASTIC

- REFERENCE PRODUCT SPECIFICATION GS-XX-XXX FOR DETAILED SPECIFICATIONS.
- THIS PRODUCT MEETS THE RESTRICTION OF HAZARDOUS SUBSTANCES IN ELECTRICAL AND ELECTRONIC EQUIPMENT (RoHS).DIRECTIVE 2002/95/EC.

- THIS DIMENSION IS A FINISHED PRODUCT LENGTH.

- A "⚠" SYMBOL WILL BE NEXT TO ANY DIMENSION, VIEW, OR NOTE WHICH HAS BEEN MODIFIED WITH THE CURRENT DRAWING REVISION. THE CURRENT REVISION WILL BE SHOWN

tolerance std ASME Y14.5		TOLERANCES UNLESS OTHERWISE SPECIFIED		drn M Srinivasan	2011/12/09	projection MM	size A3	scale 2:1
surface ✓	linear	0.X	±0.3	eng Andreas Krink	2012/03/14		ecn no ELX-H-010740-1	rel level Released
		0.XX	±0.10	chr -	-			
		0.XXX	±0.05	appr Sven Otte	2012/03/14			
ASME Y14.5	angular	0°	±2°	product family QSFP+ AOC		STRAIGHT BOOT PRODUCT ASSEMBLY		rev D
www.fci.com		cat. no.		-		Product - Customer Drw		sheet 2 of 2



Copyright FCI.