



Chipsmall Limited consists of a professional team with an average of over 10 year of expertise in the distribution of electronic components. Based in Hongkong, we have already established firm and mutual-benefit business relationships with customers from,Europe,America and south Asia,supplying obsolete and hard-to-find components to meet their specific needs.

With the principle of "Quality Parts,Customers Priority,Honest Operation,and Considerate Service",our business mainly focus on the distribution of electronic components. Line cards we deal with include Microchip,ALPS,ROHM,Xilinx,Pulse,ON,Everlight and Freescale. Main products comprise IC,Modules,Potentiometer,IC Socket,Relay,Connector.Our parts cover such applications as commercial,industrial, and automotives areas.

We are looking forward to setting up business relationship with you and hope to provide you with the best service and solution. Let us make a better world for our industry!



## Contact us

Tel: +86-755-8981 8866 Fax: +86-755-8427 6832

Email & Skype: info@chipsmall.com Web: www.chipsmall.com

Address: A1208, Overseas Decoration Building, #122 Zhenhua RD., Futian, Shenzhen, China



Description: IceFin Mounting kit

Series: Accessory

PART NUMBER: ICEFIN-IB; ICEFIN-F; ICEFIN-GP

Frame

(P/N: ICEFIN-F)



Ground Plane

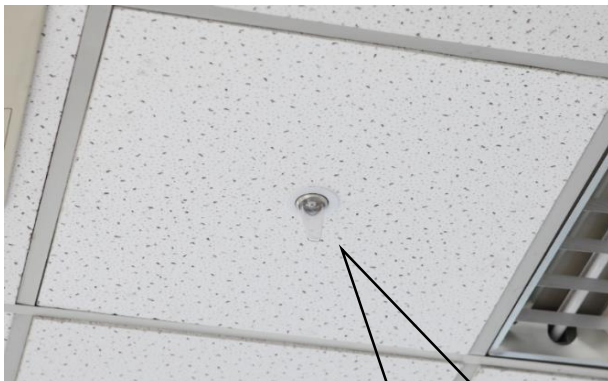
(P/N: ICEFIN-GP)



Features:

- 400mm diameter Aluminum ground plane
- White Plastic Frame
- M4x12 self tapping screws

Finished Appearance:



Applications:

- Ceiling tile mounting kit
- Applicable for Pulse antennas:
  - SLPTXXX
  - SLPTXXXW
  - ICEFINXXX

Issue: 1715

In the effort to improve our products, we reserve the right to make changes judged to be necessary.

CONFIDENTIAL AND PROPRIETARY INFORMATION

This document contains confidential and proprietary information of Pulse Electronics, Inc. (Pulse) and is protected by copyright, trade secret and other state and federal laws. Its receipt or possession does not convey any rights to reproduce, disclose its contents, or to manufacture, use or sell anything it may describe. Reproduction, disclosure or use without specific written authorization of Pulse is strictly forbidden.

For more information:

Pulse Worldwide Headquarters  
15255 Innovation Drive #100  
San Diego, CA 92128  
USA  
Tel: 1-858-674-8100

Pulse/Larsen Antennas  
18110 SE 34<sup>th</sup> St Bldg 2 Suite 250  
Vancouver, WA 98683  
USA  
Tel: 1-360-944-7551

Europe Headquarters  
Pulse GmbH & Do, KG  
Zeppelinstrasse 15  
Herrenberg, Germany  
Tel: 49 7032 7806 0

Pulse (Suzhou) Wireless Products Co, Inc.  
99 Huo Ju Road(#29 Bldg,4<sup>th</sup> Phase  
Suzhou New District  
Jiangsu Province, Suzhou 215009 PR China  
Tel: 86 512 6807 9998



Description: IceFin Mounting kit

Series: Accessory

PART NUMBER: ICEFIN-IB; ICEFIN-F; ICEFIN-GP

**MECHANICAL SPECIFICATIONS**

Weight:

ICEFIN-F	10 g
ICEFIN-GP	333.5 g
ICEFIN-IB	343.5 g

P.S.: ICEFIN-IB including 2pcs M4x12 Screws, 1pcs plastic frame and 1pcs  $\Phi$ 400mm Ground Plane.

And ICEFIN-IB can also be sold separately as ICEFIN-F and ICEFIN-GP.



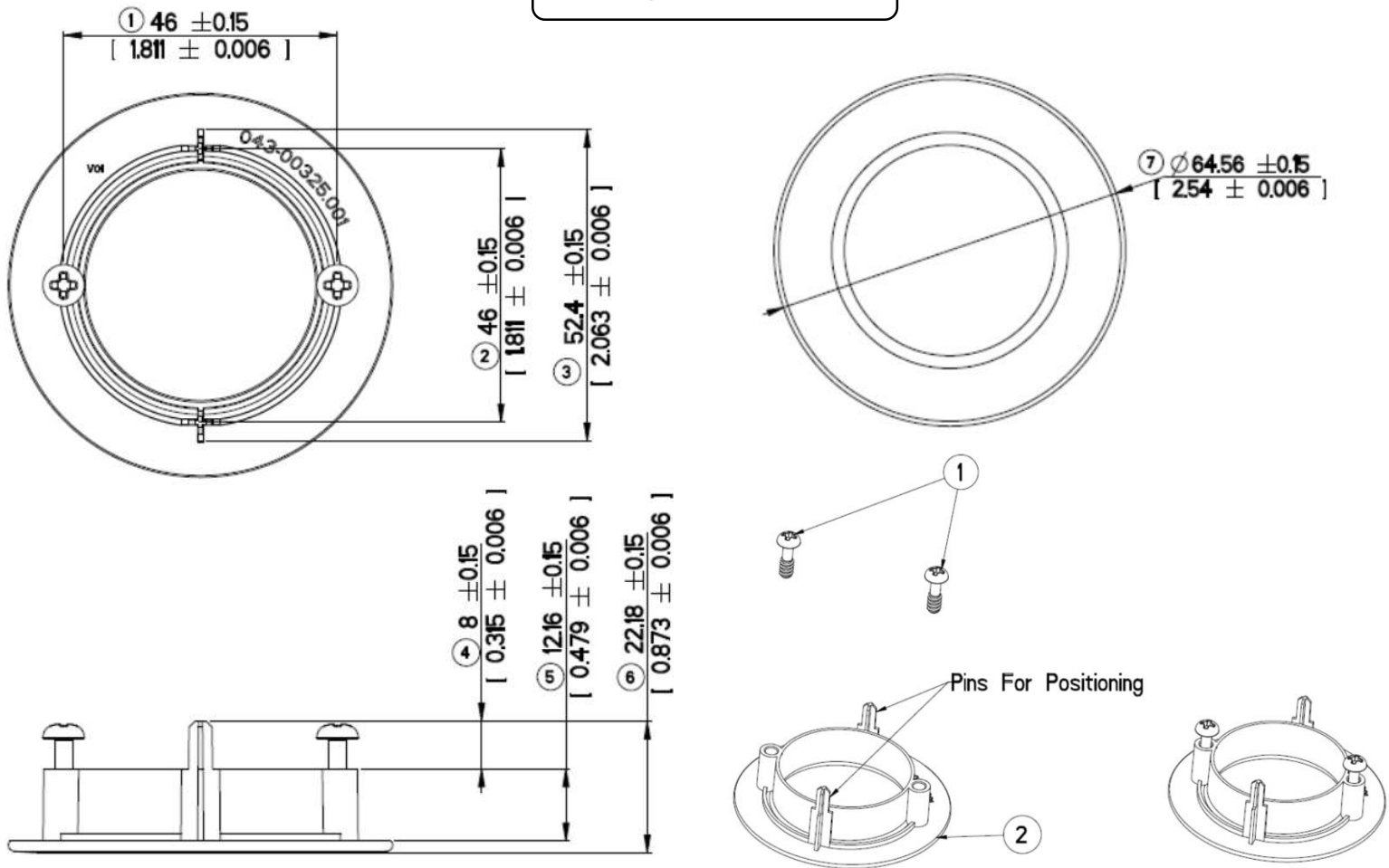
Accessory	Seperated P.N.	Parts
ICEFIN-IB	ICEFIN-F	2pcs M4x12 Self-Tapping Screws
		1pcs Plastic Frame
	ICEFIN-GP	1pcs $\Phi$ 400x1mm Ground Plane

**ENVIRONMENTAL SPECIFICATIONS**

Operating Temperature	-40 ~ 85° C
Storage Temperature	-40 ~ 85° C
RoHS Compliant	Yes

MECHANICAL DRAWING

ICEFIN-F



Item	Description	Q'ty	Remark
1	Self-tapping Screw, M4X12	2	Pan Head, Philips drive
2	Plastic Frame	1	PC, White color

Issue: 1715

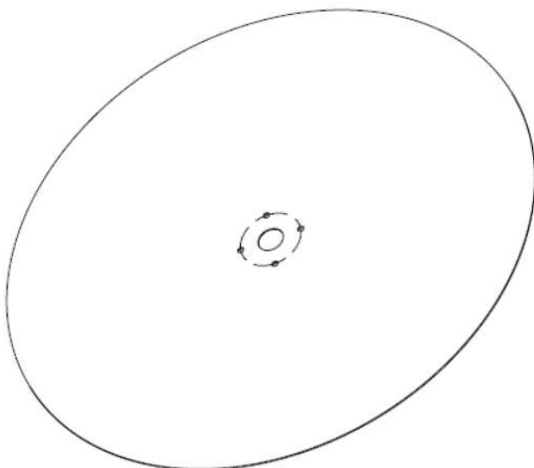
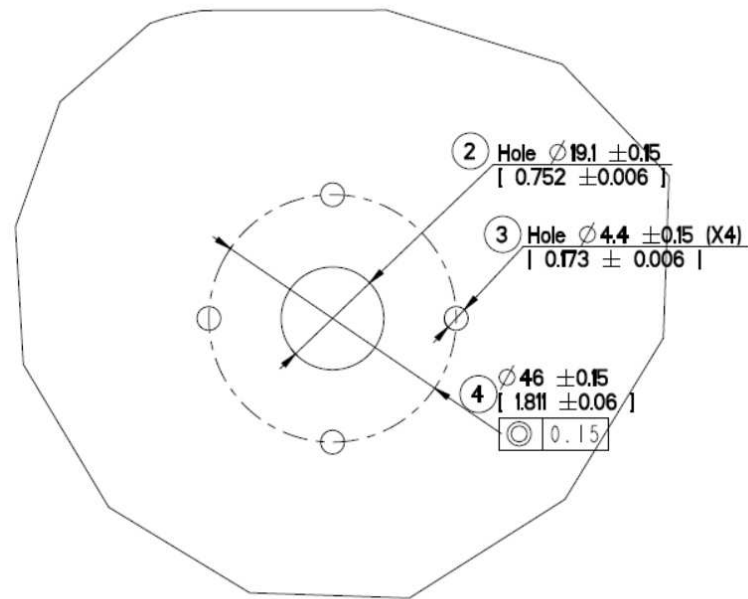
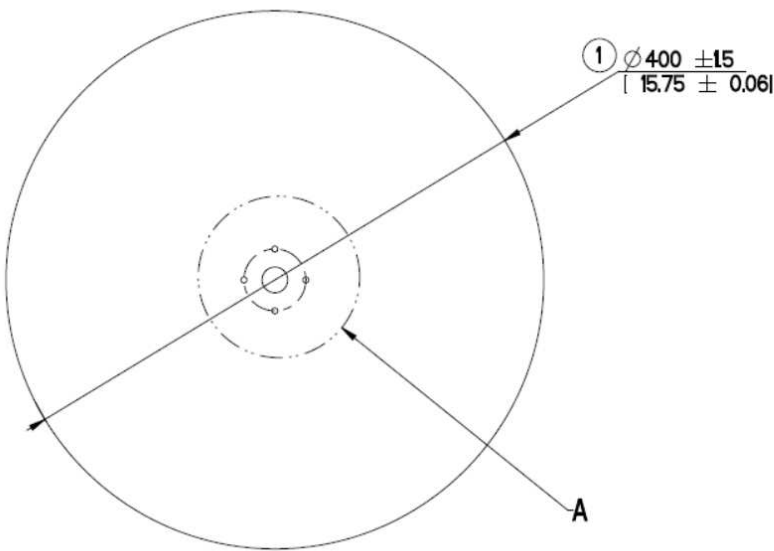
In the effort to improve our products, we reserve the right to make changes judged to be necessary.

CONFIDENTIAL AND PROPRIETARY INFORMATION

This document contains confidential and proprietary information of Pulse Electronics, Inc. (Pulse) and is protected by copyright, trade secret and other state and federal laws. Its receipt or possession does not convey any rights to reproduce, disclose its contents, or to manufacture, use or sell anything it may describe. Reproduction, disclosure or use without specific written authorization of Pulse is strictly forbidden.

MECHANICAL DRAWING

ICEFIN-GP

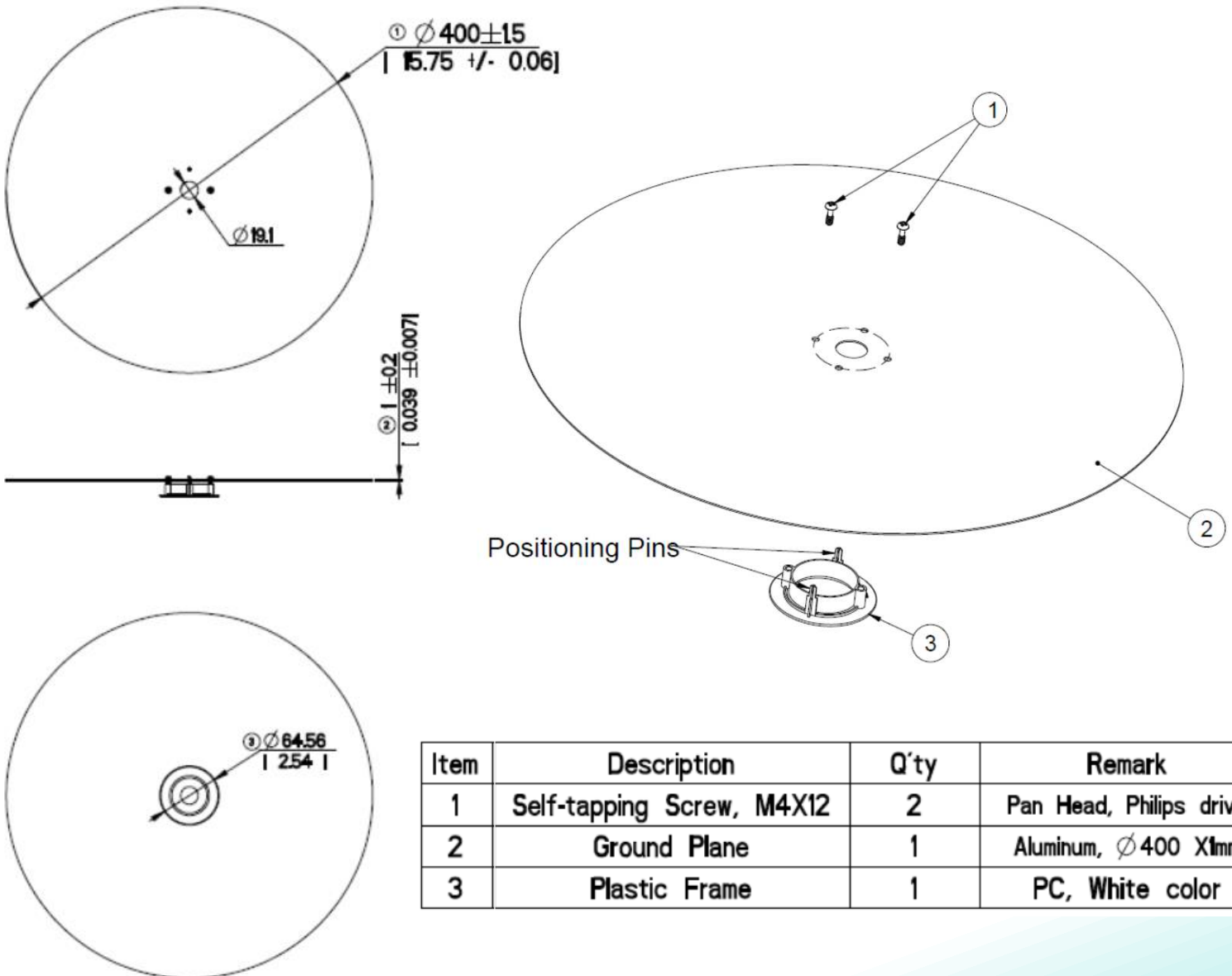


Notes:

1. Interpret this specification per Pulse PQ: 7.004.000 and standards referenced therein.
2. Material: 1mm thick Aluminum.
3. Flatness: 15mm max.
4. Avoid scratches, contamination.

MECHANICAL DRAWING

ICEFIN-IB



Item	Description	Q'ty	Remark
1	Self-tapping Screw, M4X12	2	Pan Head, Philips drive
2	Ground Plane	1	Aluminum, $\phi$ 400 X1mm
3	Plastic Frame	1	PC, White color

Issue: 1715

In the effort to improve our products, we reserve the right to make changes judged to be necessary.

CONFIDENTIAL AND PROPRIETARY INFORMATION

This document contains confidential and proprietary information of Pulse Electronics, Inc. (Pulse) and is protected by copyright, trade secret and other state and federal laws. Its receipt or possession does not convey any rights to reproduce, disclose its contents, or to manufacture, use or sell anything it may describe. Reproduction, disclosure or use without specific written authorization of Pulse is strictly forbidden.

**Description: IceFin Mounting kit**

**Series: Accessory**

**PART NUMBER: ICEFIN-IB; ICEFIN-F; ICEFIN-GP**

## PACKAGING

ICEFIN-F: Each ICEFIN-F packed in a plastic “Zip” bag,  
200 plastic bags of ICEFIN-F packed in a carton

ICEFIN-GP: 20pcs / Carton

ICEFIN-IB: 20pcs / Carton

Issue: 1715

In the effort to improve our products, we reserve the right to make changes judged to be necessary.

CONFIDENTIAL AND PROPRIETARY INFORMATION

This document contains confidential and proprietary information of Pulse Electronics, Inc. (Pulse) and is protected by copyright, trade secret and other state and federal laws. Its receipt or possession does not convey any rights to reproduce, disclose its contents, or to manufacture, use or sell anything it may describe. Reproduction, disclosure or use without specific written authorization of Pulse is strictly forbidden.

Installation Instruction

INSTALLATION:

This accessory is used to allow Pulse SLPTXXX (Black Version), SLPTXXXW (White Version) and ICEFINXXX (Clarity Version) antennas to be installed on the ceiling tile in building.





**Installation Instruction**

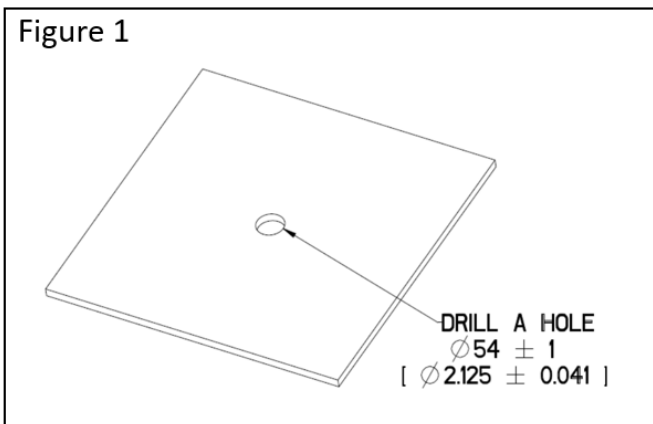
**Step 1,**

Drill or cut out a  $\Phi 54\text{mm} \pm 1\text{mm}$  [ $\Phi 2.125'' \pm 0.041''$ ] hole in the ceiling tile for the installation.

See Figure 1.

**Ceiling Tile thickness range:**

**12.7mm~ 17.5mm or 1/2''~ 11/16''**

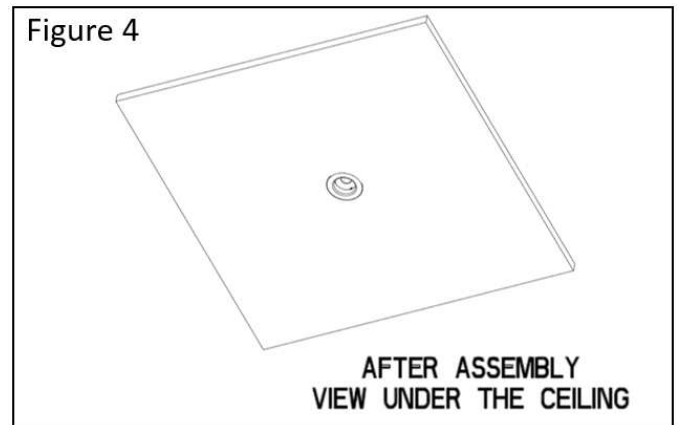
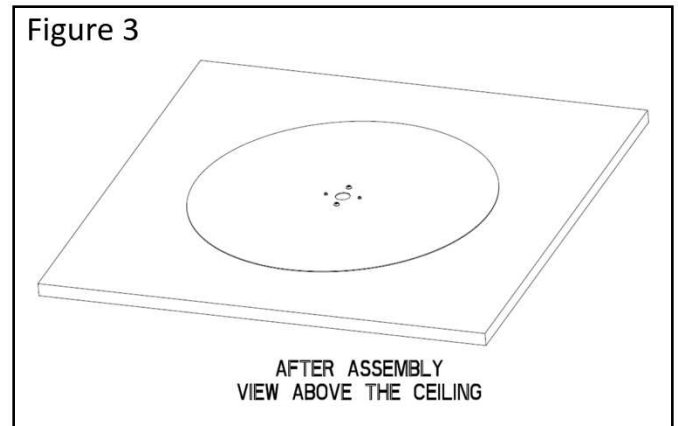
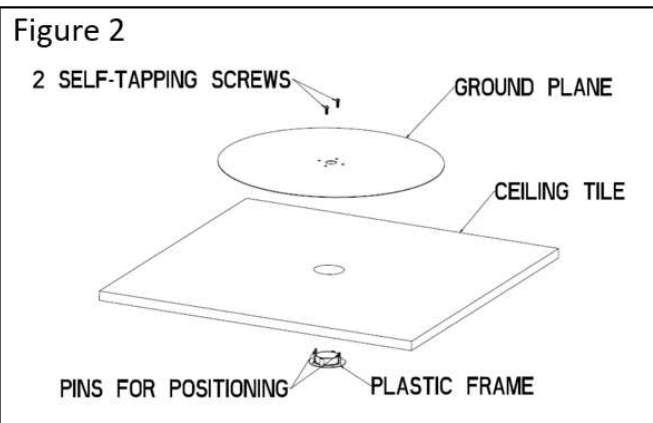


**Step 2,**

Assemble the ICEFIN-IB accessory on the ceiling tile by tightening the screws until snug.

See Figure 2, 3 and 4.

**Screw Driver type: PHILIPS DRIVE**



**ICEFIN-IB including 2pcs M4x12 Screws, 1pcs plastic frame and 1pcs  $\Phi 400\text{mm}$  Ground Plane.**

**And ICEFIN-IB can also be sold separately as ICEFIN-F and ICEFIN-GP.**

Accessory	Seperated P.N.	Parts
ICEFIN-IB	ICEFIN-F	2pcs M4x12 Self-Tapping Screws 1pcs Plastic Frame
	ICEFIN-GP	1pcs $\Phi 400\text{x}1\text{mm}$ Ground Plane

needed to be necessary.

electronics, Inc. (Pulse) and is protected by copyright, trade secret and other state and federal laws. contents, or to manufacture, use or sell anything it may describe. Reproduction, disclosure or

