



Chipsmall Limited consists of a professional team with an average of over 10 year of expertise in the distribution of electronic components. Based in Hongkong, we have already established firm and mutual-benefit business relationships with customers from,Europe,America and south Asia,supplying obsolete and hard-to-find components to meet their specific needs.

With the principle of “Quality Parts,Customers Priority,Honest Operation,and Considerate Service”,our business mainly focus on the distribution of electronic components. Line cards we deal with include Microchip,ALPS,ROHM,Xilinx,Pulse,ON,Everlight and Freescale. Main products comprise IC,Modules,Potentiometer,IC Socket,Relay,Connector.Our parts cover such applications as commercial,industrial, and automotives areas.

We are looking forward to setting up business relationship with you and hope to provide you with the best service and solution. Let us make a better world for our industry!



Contact us

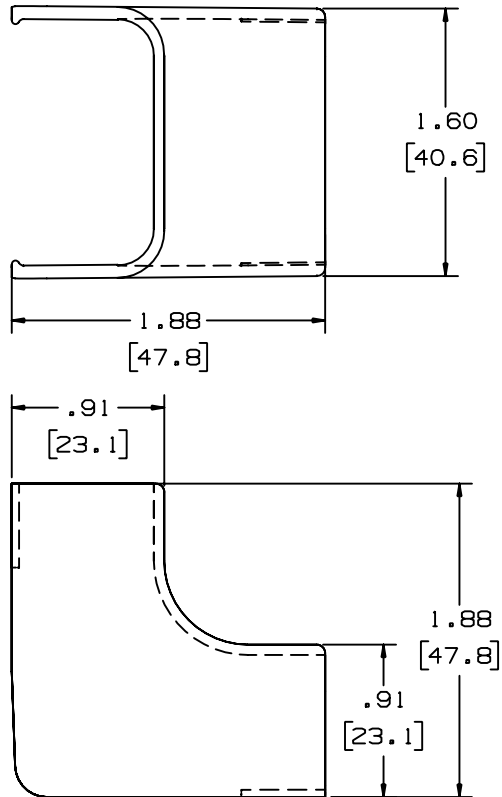
Tel: +86-755-8981 8866 Fax: +86-755-8427 6832

Email & Skype: info@chipsmall.com Web: www.chipsmall.com

Address: A1208, Overseas Decoration Building, #122 Zhenhua RD., Futian, Shenzhen, China



THIS COPY IS PROVIDED ON A RESTRICTED BASIS AND IS NOT TO BE USED IN ANY WAY DETRIMENTAL TO THE INTERESTS OF PANDUIT CORP.

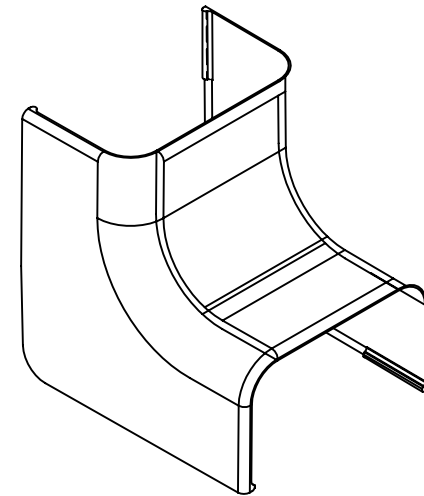


PANDUIT P/N	WEIGHT
ICF10	1.94 LB/ 100PCS. (880g/ 100PCS.)



NOTES:

- SEE CURRENT CATALOG FOR ADDITIONAL PART SUFFIXES TO INDICATE COLOR AND OR PACKAGE QUANTITY.
- DIMENSIONS IN PARENTHESIS ARE IN METRIC.



CAD FILENAME/LAYERS D34116BA_DC_ICF10_01C.PRT

REV	DATE	BY	CHK	DESCRIPTION	ECN	R	CUST	SUP
6	07-02-02	JHNU	RMHI	F. REVISED MATERIAL IN DRAWING TITLE BLOCK.	17774	RGRO	RGRO	
5	08-30-00	JHNU	HIW	E. REVISED AND REDRAWN.	17774	HIW	HIW	
4	09-30-91	DW	CF	D. REV'D NOTE AND REMOVED COLOR FROM DWG.	17774	CF	WJB/CF	
3	02-28-91	DW	CF	C. REV'D COLORS: OMIT BEIGE, LIGHT IVORY, AND LIGHT GREY. ADDED INT. WHITE AND INT. GREY	17774	CF	WJB	
2	12-02-87	LDB	WJB	B. ADDED P/N ICF10E1 AND ICF10L1.	17774	WJB	WJB	
1	10-01-84	CEKI	HMP	A. REVISED MAT'L.	17774	HMP	AJC	
R	11-04-82	SS	HMP	DRAWING RELEASED	17774	HMP	JKR	

<p>PANDUIT CORP. TINLEY PARK, ILLINOIS</p> <p>INSIDE CORNER FITTING (ICF10) CUSTOMER DRAWING</p> <p>UNLESS OTHERWISE SPECIFIED, DIMENSIONAL TOLERANCES ARE: (.X) ± (.XXX) ± (.XX) ±.03(.8) ANGLES ±</p>		<p>UNLESS OTHERWISE SPECIFIED, ALL DIMENSIONS ARE GIVEN IN INCHES, THIRD ANGLE PROJECTION.</p> <p>SCALE FULL</p>
<p>DRAWN BY SARGIS</p> <p>DATE 11-03-82</p> <p>CHK'D JVL</p>	<p>MAT'L: ABS </p>	<p>DRAWING NO. SS-17774</p> <p>DWG SIZE A</p>