



Chipsmall Limited consists of a professional team with an average of over 10 year of expertise in the distribution of electronic components. Based in Hongkong, we have already established firm and mutual-benefit business relationships with customers from,Europe,America and south Asia,supplying obsolete and hard-to-find components to meet their specific needs.

With the principle of “Quality Parts,Customers Priority,Honest Operation,and Considerate Service”,our business mainly focus on the distribution of electronic components. Line cards we deal with include Microchip,ALPS,ROHM,Xilinx,Pulse,ON,Everlight and Freescale. Main products comprise IC,Modules,Potentiometer,IC Socket,Relay,Connector.Our parts cover such applications as commercial,industrial, and automotives areas.

We are looking forward to setting up business relationship with you and hope to provide you with the best service and solution. Let us make a better world for our industry!



Contact us

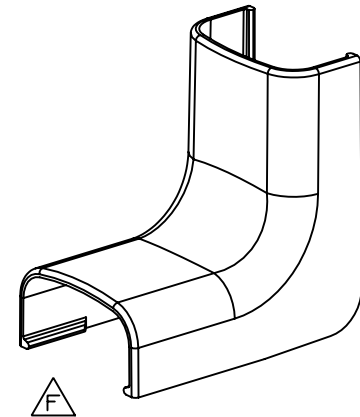
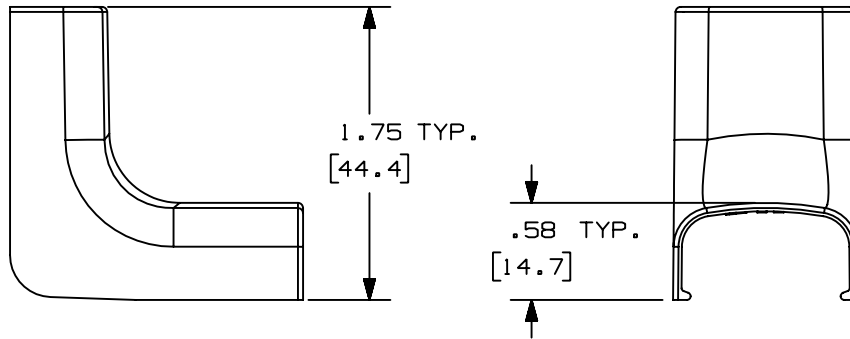
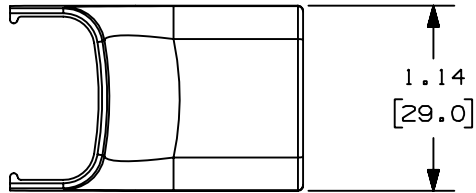
Tel: +86-755-8981 8866 Fax: +86-755-8427 6832

Email & Skype: info@chipsmall.com Web: www.chipsmall.com

Address: A1208, Overseas Decoration Building, #122 Zhenhua RD., Futian, Shenzhen, China



THIS COPY IS PROVIDED ON A RESTRICTED BASIS AND IS NOT TO BE USED IN ANY WAY DETRIMENTAL TO THE INTERESTS OF PANDUIT CORP.



$\triangle B$	PANDUIT P/N	WEIGHT
$\triangle C$	ICF5	0.97 LB/100 PCS. (440g/100 PCS.)

$\triangle D$ NOTES:

1. SEE CURRENT CATALOG FOR ADDITIONAL PART NUMBER SUFFIXES TO INDICATE COLOR AND OR PACKAGE QUANTITY.
2. DIMENSIONS IN PARENTHESIS ARE IN METRIC.

CAD FILENAME/LAYERS D34474BD_DC_ICF5_01.prt

6	7-3-02	JHN/URMHI	F. REVISED MATERIAL IN DRAWING TITLE BLOCK.	16864	RGRD	RGRD	
5	8-28-00	MSO/HIW	E. REVISED AND REDRAWN ON CAD.	16864	HIW	HIW	
4	10-3-91	DW/CF	D. REVISED NOTE AND REMOVED COLOR FROM DRAWING.	16864		CF	
3	2-28-91	DW/CF	C. REVISED COLORS: OMIT BG, LI, LG. ADDED INT. WHITE AND INT. GRAY.	16864		WJB	
2	12-2-87	LDB/WJB	B. ADDED PART NUMBERS ICF5E1 AND ICF5L1.	16864		WJB	
1	5-14-82	KJS/JK	A. POLYSTYRENE WAS ABS.			JAK	
R	9-14-81	KJS/HP	DRAWING RELEASED			HP	
REV	DATE	BY	CHK	DESCRIPTION	ECN - R	CUST	SUP

<h1>PANDUIT</h1> <p>CORP. TINLEY PARK, ILLINOIS</p>	
<h2>INSIDE CORNER FITTING (ICF5)</h2> <p>CUSTOMER DRAWING</p>	
UNLESS OTHERWISE SPECIFIED, DIMENSIONAL TOLERANCES ARE: (.X) ± (.XXX) ± (.XX) ± .03 (.8) ANGLES ±	UNLESS OTHERWISE SPECIFIED, ALL DIMENSIONS ARE GIVEN IN INCHES, THIRD ANGLE PROJECTION.
DRAWN BY: KJS DATE: 9-2-81 CHK'D: JK	MAT'L: ABS $\triangle F$ SCALE: FULL DRAWING NO.: SS-16864 DWG SIZE: A