



Chipsmall Limited consists of a professional team with an average of over 10 year of expertise in the distribution of electronic components. Based in Hongkong, we have already established firm and mutual-benefit business relationships with customers from,Europe,America and south Asia,supplying obsolete and hard-to-find components to meet their specific needs.

With the principle of “Quality Parts,Customers Priority,Honest Operation,and Considerate Service”,our business mainly focus on the distribution of electronic components. Line cards we deal with include Microchip,ALPS,ROHM,Xilinx,Pulse,ON,Everlight and Freescale. Main products comprise IC,Modules,Potentiometer,IC Socket,Relay,Connector.Our parts cover such applications as commercial,industrial, and automotives areas.

We are looking forward to setting up business relationship with you and hope to provide you with the best service and solution. Let us make a better world for our industry!



Contact us

Tel: +86-755-8981 8866 Fax: +86-755-8427 6832

Email & Skype: info@chipsmall.com Web: www.chipsmall.com

Address: A1208, Overseas Decoration Building, #122 Zhenhua RD., Futian, Shenzhen, China



High Dynamic Range Microphone with Differential Output and Low Power

GENERAL DESCRIPTION

The ICS-40618 is an analog MEMS microphone with very high dynamic range and a low-power AlwaysOn mode. The ICS-40618 includes a MEMS microphone element, an impedance converter, and a differential output amplifier.

This microphone features a low-power mode, which is active when the supply voltage is <2.0 V. In this mode, the ICS-40618 operates with 55 μ A.

Other high-performance specifications include 132 dB SPL acoustic overload point in high performance mode, tight ± 1 dB sensitivity tolerance and enhanced immunity to both radiated and conducted RF interference.

The ICS-40618’s electro-acoustic performance matches the top port ICS-40619, making this pair of microphones suitable to use together in applications requiring both top and bottom port devices.

The ICS-40618 is available in a small 3.50 mm \times 2.65 mm \times 0.98 mm bottom port surface-mount package.

APPLICATIONS

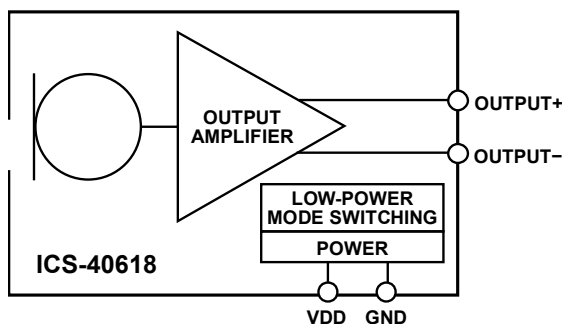
- Smartphones
- “AlwaysOn” listening
- Wearable devices
- Still and video cameras
- IoT devices

FEATURES

SPEC	HIGH PERFORMANCE MODE	LOW-POWER MODE
SNR	67 dBA	67 dBA
Current	165 μ A	55 μ A
AOP	132 dB SPL	129 dB SPL

- Differential non-inverting analog output
- -38 dBV sensitivity (differential)
- ± 1 dB sensitivity tolerance
- Extended frequency response from 50 Hz to 20 kHz
- Enhanced RF immunity
- -85 dB PSRR
- 3.50 \times 2.65 \times 0.98 mm surface-mount package
- Compatible with Sn/Pb and Pb-free solder processes
- RoHS/WEEE compliant

FUNCTIONAL BLOCK DIAGRAM



ORDERING INFORMATION

PART	TEMP RANGE	PACKAGING
ICS-40618	-40°C to +85°C	13" Tape and Reel
EV_IC3-40618-FX	—	

TABLE OF CONTENTS

General Description 1

Applications 1

Features 1

Functional Block Diagram 1

Ordering Information..... 1

Table of Contents..... 2

Specifications 3

 Table 1. Electrical Characteristics 3

Absolute Maximum Ratings 5

 Table 2. Absolute Maximum Ratings 5

 ESD Caution 5

 Soldering Profile..... 6

 Table 3. Recommended Soldering Profile* 6

Pin Configurations And Function Descriptions 7

 Table 4. Pin Function Descriptions..... 7

Typical Performance Characteristics..... 8

Theory Of Operation 9

 Low-Power Mode..... 9

 Balanced Output 9

Applications Information 10

 Codec Connection..... 10

Supporting Documents 11

 Evaluation Board User Guide..... 11

 Application Notes 11

PCB Design And Land Pattern Layout 12

 PCB Material And Thickness 12

Handling Instructions..... 13

 Pick And Place Equipment 13

 Reflow Solder..... 13

 Board Wash 13

Outline Dimensions..... 14

 Ordering Guide 14

 Revision History 15

Compliance Declaration Disclaimer 16

SPECIFICATIONS

TABLE 1. ELECTRICAL CHARACTERISTICS

T_A = 25°C, V_{DD} = 1.52 to 3.63 V, unless otherwise noted. Typical specifications are not guaranteed.

PARAMETER	CONDITIONS	MIN	TYP	MAX	UNITS	NOTES
PERFORMANCE						
Directionality		Omni				
Output Polarity		Non-Inverted				
Sensitivity	1 kHz, 94 dB SPL, differential	-39	-38	-37	dBV	
HIGH PERFORMANCE MODE						
Signal-to-Noise Ratio (SNR)	20 kHz bandwidth, A-weighted		67		dB	
Equivalent Input Noise (EIN)	20 kHz bandwidth, A-weighted		27		dB	
Dynamic Range	Derived from EIN and acoustic overload point		105		dB	
Total Harmonic Distortion (THD)	105 dB SPL		0.2		%	
Power Supply Rejection Ratio (PSRR)	1 kHz, 100 mV p-p sine wave superimposed on V _{DD} = 2.75 V		-85		dB	
Power Supply Rejection (PSR)	217 Hz, 100 mVp-p square wave superimposed on V _{DD} = 2.75 V		-112		dBV	
Acoustic Overload Point	10% THD		132		dB SPL	
LOW-POWER MODE						
Signal-to-Noise Ratio (SNR)	20 kHz bandwidth, A-weighted		67		dB	
Equivalent Input Noise (EIN)	20 kHz bandwidth, A-weighted		27		dB	
Dynamic Range	Derived from EIN and acoustic overload point		101		dB	
Total Harmonic Distortion (THD)	105 dB SPL		0.2		%	
Power Supply Rejection Ratio (PSRR)	1 kHz, 100 mV p-p sine wave superimposed on V _{DD} = 1.8 V		-85		dB	
Power Supply Rejection (PSR)	217 Hz, 100 mVp-p square wave superimposed on V _{DD} = 1.8 V		-112		dBV	
Acoustic Overload Point	10% THD, V _{DD} = 1.8 V		129		dB SPL	
POWER SUPPLY						
Supply Voltage (V _{DD})	Low-power mode	1.52		2.0	V	
	High performance mode	2.2		3.63	V	
Supply Current (I _s)	V _{DD} = 1.8 V		55	65	μA	
	V _{DD} = 2.75 V		165	190	μA	

PARAMETER	CONDITIONS	MIN	TYP	MAX	UNITS	NOTES
OUTPUT CHARACTERISTICS						
Differential Output Impedance	High-performance mode		355		Ω	
	Low-power mode		5.5		k Ω	
Output Common Mode Voltage	OUTPUT+ and OUTPUT-, high-performance mode		1.0		V	
	OUTPUT+ and OUTPUT-, low-power mode		0.8		V	
Output Differential Offset	Between OUTPUT+ and OUTPUT-, high-performance mode		10		mV	
	Between OUTPUT+ and OUTPUT-, low-power mode		10		mV	
Startup Time	Output to within ± 0.5 dB of stable sensitivity		15	20	ms	
Mode Switching Time	High performance mode to low-power mode			1	ms	
	Low-power mode to high performance mode			1	ms	
Maximum Output Voltage	132 dB SPL input		1.0		V rms	
Noise Floor	20 Hz to 20 kHz, A-weighted, rms, high performance mode		-105		dBV	

ABSOLUTE MAXIMUM RATINGS

Stress above those listed as Absolute Maximum Ratings may cause permanent damage to the device. These are stress ratings only and functional operation of the device at these conditions is not implied. Exposure to the absolute maximum ratings conditions for extended periods may affect device reliability.

TABLE 2. ABSOLUTE MAXIMUM RATINGS

PARAMETER	RATING
Supply Voltage (V _{DD})	-0.3 V to +3.63 V
Sound Pressure Level	160 dB
Mechanical Shock	10,000 <i>g</i>
Vibration	Per MIL-STD-883 Method 2007, Test Condition B
Temperature Range	
Biased	-40°C to +85°C
Storage	-55°C to +150°C

ESD CAUTION



ESD (electrostatic discharge) sensitive device. Charged devices and circuit boards can discharge without detection. Although this product features patented or proprietary protection circuitry, damage may occur on devices subjected to high energy ESD. Therefore proper ESD precautions should be taken to avoid performance degradation or loss of functionality.

SOLDERING PROFILE

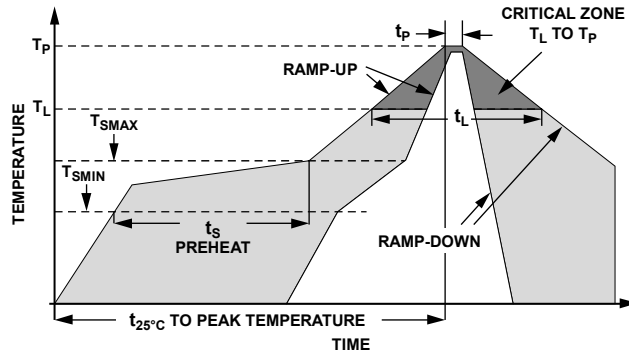


Figure 1. Recommended Soldering Profile Limits

TABLE 3. RECOMMENDED SOLDERING PROFILE*

PROFILE FEATURE		Sn63/Pb37	Pb-Free
Average Ramp Rate (T_L to T_P)		1.25°C/sec max	1.25°C/sec max
Preheat	Minimum Temperature (T_{SMIN})	100°C	100°C
	Minimum Temperature (T_{SMIN})	150°C	200°C
	Time (T_{SMIN} to T_{SMAX}), t_s	60 sec to 75 sec	60 sec to 75 sec
Ramp-Up Rate (T_{SMAX} to T_L)		1.25°C/sec	1.25°C/sec
Time Maintained Above Liquidous (t_L)		45 sec to 75 sec	~50 sec
Liquidous Temperature (T_L)		183°C	217°C
Peak Temperature (T_P)		215°C +3°C/-3°C	260°C +0°C/-5°C
Time Within +5°C of Actual Peak Temperature (t_p)		20 sec to 30 sec	20 sec to 30 sec
Ramp-Down Rate		3°C/sec max	3°C/sec max
Time +25°C ($t_{25^\circ\text{C}}$) to Peak Temperature		5 min max	5 min max

*The reflow profile in Table 3 is recommended for board manufacturing with InvenSense MEMS microphones. All microphones are also compatible with the J-STD-020 profile

PIN CONFIGURATIONS AND FUNCTION DESCRIPTIONS

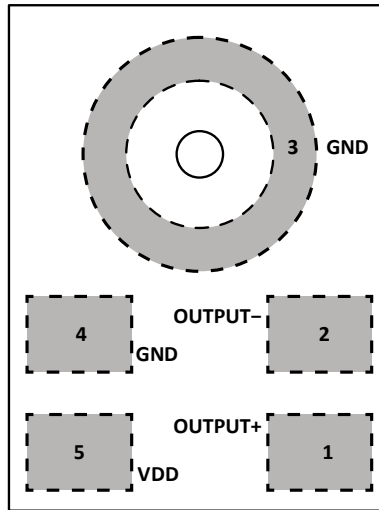


Figure 2. Pin Configuration (Top View, Terminal Side Down)

TABLE 4. PIN FUNCTION DESCRIPTIONS

PIN	NAME	FUNCTION
1	OUTPUT+	Analog Output Signal+
2	OUTPUT-	Analog Output Signal-
3	GND	Ground
4	GND	Ground
5	VDD	Power Supply

TYPICAL PERFORMANCE CHARACTERISTICS

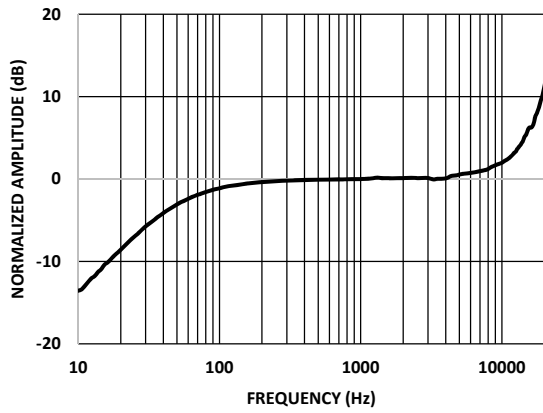


Figure 3. Typical Frequency Response (Measured)

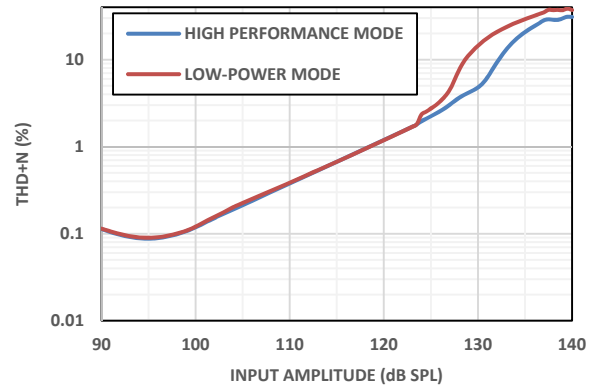


Figure 4. THD + N vs. Input Amplitude

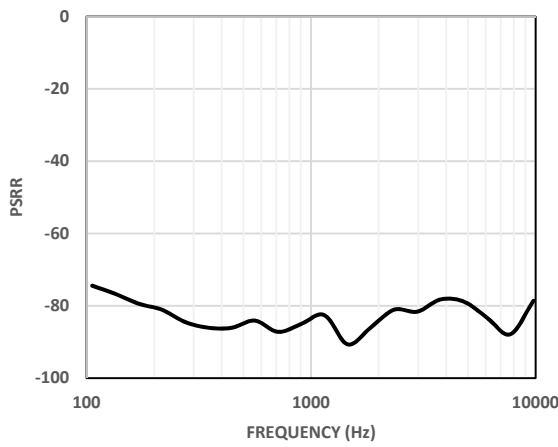


Figure 5. Power-Supply Rejection Ratio (PSRR) vs. Frequency

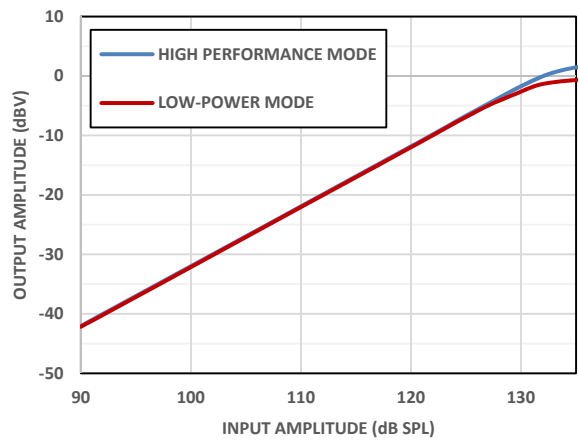


Figure 6. Linearity

THEORY OF OPERATION

LOW-POWER MODE

The ICS-40618 will enter a low-power mode when the supply voltage V_{DD} falls below 2.0 V. In this mode, the microphone will operate with 55 μ A supply current. While the microphone is switched between the two modes, the output signals should be muted for a short time.

BALANCED OUTPUT

The ICS-40618 has a balanced differential output with 355 Ω output impedance in high performance mode and 5.5 k Ω in low-power mode. This configuration is compatible with a fully-differential codec input and provides the benefits of a balanced signal between the microphone and codec. A balanced analog audio signal provides rejection of common-mode noise that is present on both the positive and negative signals.

APPLICATIONS INFORMATION

CODEC CONNECTION

The ICS-40618 output can be connected to a dedicated codec microphone input (see Figure 7) or to a high input impedance gain stage. A 0.1 μF ceramic capacitor placed close to the ICS-40618 supply pin is used for testing and is recommended to adequately decouple the microphone from noise on the power supply. A dc blocking capacitor is required at the output of the microphone. This capacitor creates a high-pass filter with a corner frequency at

$$f_c = 1/(2\pi \times C \times R)$$

where R is the input impedance of the codec.

A minimum value of 2.2 μF is recommended in Figure 7 for codecs, which may have a very low input impedance at some PGA gain settings.

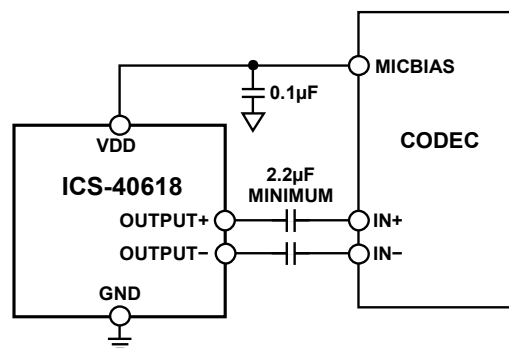


Figure 7. ICS-40618 Connected to a Differential-Input Codec

SUPPORTING DOCUMENTS

For additional information, see the following documents.

EVALUATION BOARD USER GUIDE

AN-000012, *Differential Analog Output MEMS Microphone Flex Evaluation Board*

APPLICATION NOTES

AN-100, *MEMS Microphone Handling and Assembly Guide*

AN-1003, *Recommendations for Mounting and Connecting the InvenSense Bottom-Ported MEMS Microphones*

AN-1112, *Microphone Specifications Explained*

AN-1124, *Recommendations for Sealing InvenSense Bottom-Port MEMS Microphones from Dust and Liquid Ingress*

AN-1140, *Microphone Array Beamforming*

AN-1165, *Op Amps for Microphone Preamp Circuits*

PCB DESIGN AND LAND PATTERN LAYOUT

Lay out the PCB land pattern for the ICS-40618 at a 1:1 ratio to the solder pads on the microphone package (see Figure 8.) Take care to avoid applying solder paste to the sound hole in the PCB. Figure 9 shows a suggested solder paste stencil pattern layout. The response of the ICS-40618 is not affected by the PCB hole size, as long as the hole is not smaller than the sound port of the microphone (0.375 mm in diameter). A 0.5 mm to 1 mm diameter for the hole is recommended.

Align the hole in the microphone package with the hole in the PCB. The exact degree of the alignment does not affect the performance of the microphone as long as the holes are not partially or completely blocked.

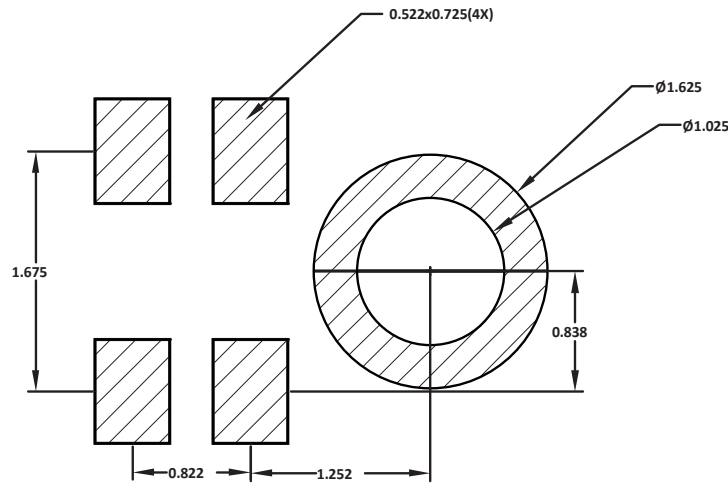


Figure 8. Recommended PCB Land Pattern Layout

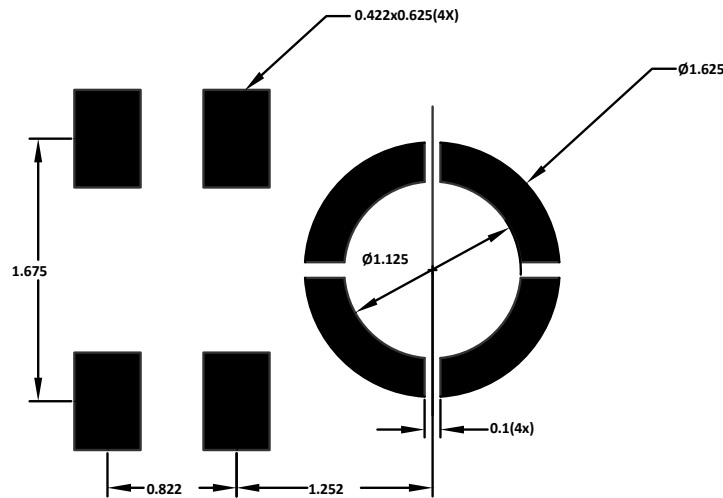


Figure 9. Recommended Solder Paste Stencil Pattern Layout

PCB MATERIAL AND THICKNESS

The performance of the ICS-40618 is not affected by PCB thickness. The ICS-40618 can be mounted on either a rigid or flexible PCB. A flexible PCB with the microphone can be attached directly to the device housing with an adhesive layer. This mounting method offers a reliable seal around the sound port while providing the shortest acoustic path for good sound quality.

HANDLING INSTRUCTIONS

PICK AND PLACE EQUIPMENT

The MEMS microphone can be handled using standard pick-and-place and chip shooting equipment. Take care to avoid damage to the MEMS microphone structure as follows:

- Use a standard pickup tool to handle the microphone. Because the microphone hole is on the bottom of the package, the pickup tool can make contact with any part of the lid surface.
- Do not pick up the microphone with a vacuum tool that makes contact with the bottom side of the microphone. Do not pull air out of or blow air into the microphone port.
- Do not use excessive force to place the microphone on the PCB.

REFLOW SOLDER

For best results, the soldering profile must be in accordance with the recommendations of the manufacturer of the solder paste used to attach the MEMS microphone to the PCB. It is recommended that the solder reflow profile not exceed the limit conditions specified in Figure 1 and Table 3.

BOARD WASH

When washing the PCB, ensure that water does not make contact with the microphone port. Do not use blow-off procedures or ultrasonic cleaning.

OUTLINE DIMENSIONS

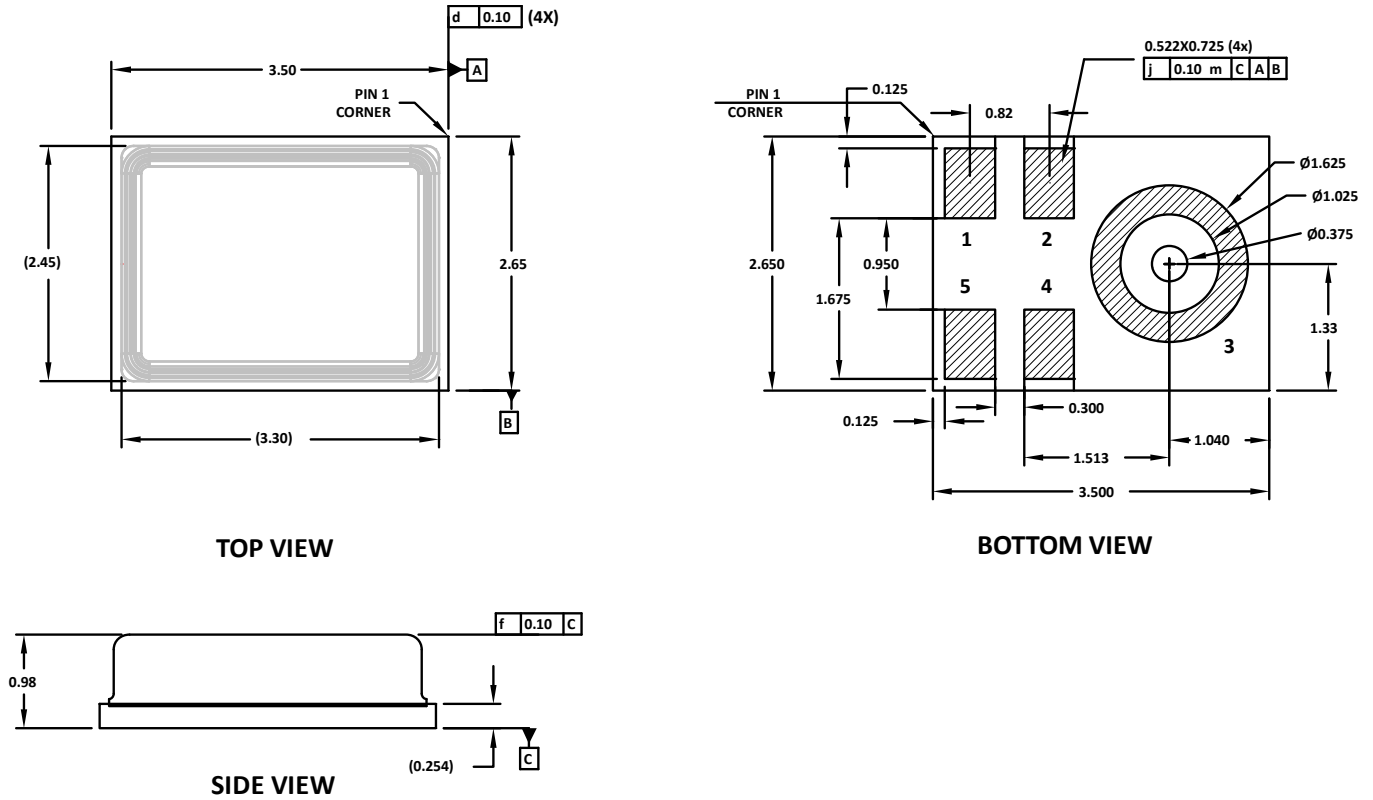


Figure 10. 5-Terminal Chip Array Small Outline No Lead Cavity
 3.50 mm × 2.65 mm × 0.98 mm Body
 Dimensions shown in millimeters

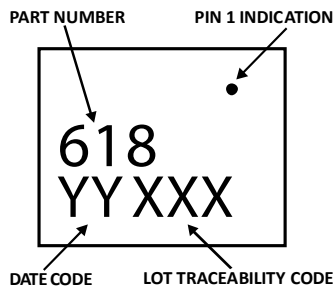


Figure 11. Package Marking Specification (Top View, not to scale)

ORDERING GUIDE

PART	TEMP RANGE	PACKAGE	QUANTITY	PACKAGING
ICS-40618	-40°C to +85°C	5-Terminal LGA_CAV	10,000	13" Tape and Reel
EV_ICs-40618-FX	—	Flexible Evaluation Board	—	

REVISION HISTORY

REVISION DATE	REVISION	DESCRIPTION
3/21/2016	1.0	Initial Version

COMPLIANCE DECLARATION DISCLAIMER

InvenSense believes the environmental and other compliance information given in this document to be correct but cannot guarantee accuracy or completeness. Conformity documents substantiating the specifications and component characteristics are on file. InvenSense subcontracts manufacturing, and the information contained herein is based on data received from vendors and suppliers, which has not been validated by InvenSense.

This information furnished by InvenSense is believed to be accurate and reliable. However, no responsibility is assumed by InvenSense for its use, or for any infringements of patents or other rights of third parties that may result from its use. Specifications are subject to change without notice. InvenSense reserves the right to make changes to this product, including its circuits and software, in order to improve its design and/or performance, without prior notice. InvenSense makes no warranties, neither expressed nor implied, regarding the information and specifications contained in this document. InvenSense assumes no responsibility for any claims or damages arising from information contained in this document, or from the use of products and services detailed therein. This includes, but is not limited to, claims or damages based on the infringement of patents, copyrights, mask work and/or other intellectual property rights.

Certain intellectual property owned by InvenSense and described in this document is patent protected. No license is granted by implication or otherwise under any patent or patent rights of InvenSense. This publication supersedes and replaces all information previously supplied. Trademarks that are registered trademarks are the property of their respective companies. InvenSense sensors should not be used or sold in the development, storage, production or utilization of any conventional or mass-destructive weapons or for any other weapons or life threatening applications, as well as in any other life critical applications such as medical equipment, transportation, aerospace and nuclear instruments, undersea equipment, power plant equipment, disaster prevention and crime prevention equipment.

©2016 InvenSense, Inc. All rights reserved. InvenSense, MotionTracking, MotionProcessing, MotionProcessor, MotionFusion, MotionApps, Digital Motion Processor, AAR and the InvenSense logo are trademarks of InvenSense, Inc. Other company and product names may be trademarks of the respective companies with which they are associated.



©2016 InvenSense, Inc. All rights reserved.