



Chipsmall Limited consists of a professional team with an average of over 10 year of expertise in the distribution of electronic components. Based in Hongkong, we have already established firm and mutual-benefit business relationships with customers from,Europe,America and south Asia,supplying obsolete and hard-to-find components to meet their specific needs.

With the principle of “Quality Parts,Customers Priority,Honest Operation,and Considerate Service”,our business mainly focus on the distribution of electronic components. Line cards we deal with include Microchip,ALPS,ROHM,Xilinx,Pulse,ON,Everlight and Freescale. Main products comprise IC,Modules,Potentiometer,IC Socket,Relay,Connector.Our parts cover such applications as commercial,industrial, and automotives areas.

We are looking forward to setting up business relationship with you and hope to provide you with the best service and solution. Let us make a better world for our industry!



Contact us

Tel: +86-755-8981 8866 Fax: +86-755-8427 6832

Email & Skype: info@chipsmall.com Web: www.chipsmall.com

Address: A1208, Overseas Decoration Building, #122 Zhenhua RD., Futian, Shenzhen, China





AMD - K8™ System Clock Chip

Recommended Application:

AMD K8 System Clock with AMD, VIA or ALI Chipset

Output Features:

- 2 - Differential pair push-pull CPU clocks @ 3.3V
- 9 - PCICLK (Including 1 free running) @ 3.3V
- 3 - Selectable PCICLK/HTTCLK @ 3.3V
- 1 - HTTCLK @ 3.3V
- 1 - 48MHz @ 3.3V fixed.
- 1 - 24/48MHz @ 3.3V
- 3 - REF @ 3.3V, 14.318MHz.

Features:

- Programmable output frequency.
- Programmable output divider ratios.
- Programmable output rise/fall time.
- Programmable output skew.
- Programmable spread percentage for EMI control.
- Watchdog timer technology and RESET# output to reset system if system malfunctions.
- Programmable watch dog safe frequency.
- Support I²C Index read/write and block read/write operations.
- Uses external 14.318MHz crystal.
- Supports Hyper Transport Technology (HTTCLK).

Functionality

| FS3 | FS2 | FS1 | FS0 | CPU | HTT | PCI |
|-----|-----|-----|-----|--------|-------|-------|
| | | | | MHz | MHz | MHz |
| 0 | 0 | 0 | 0 | 100.90 | 67.27 | 33.63 |
| 0 | 0 | 0 | 1 | 133.90 | 66.95 | 33.48 |
| 0 | 0 | 1 | 0 | 168.00 | 67.20 | 33.60 |
| 0 | 0 | 1 | 1 | 202.00 | 67.33 | 33.67 |
| 0 | 1 | 0 | 0 | 100.20 | 66.80 | 33.40 |
| 0 | 1 | 0 | 1 | 133.50 | 66.75 | 33.38 |
| 0 | 1 | 1 | 0 | 166.70 | 66.68 | 33.34 |
| 0 | 1 | 1 | 1 | 200.40 | 66.80 | 33.40 |
| 1 | 0 | 0 | 0 | 150.00 | 60.00 | 30.00 |
| 1 | 0 | 0 | 1 | 180.00 | 60.00 | 30.00 |
| 1 | 0 | 1 | 0 | 210.00 | 70.00 | 35.00 |
| 1 | 0 | 1 | 1 | 240.00 | 60.00 | 30.00 |
| 1 | 1 | 0 | 0 | 270.00 | 67.50 | 33.75 |
| 1 | 1 | 0 | 1 | 233.33 | 66.67 | 33.33 |
| 1 | 1 | 1 | 0 | 266.67 | 66.67 | 33.33 |
| 1 | 1 | 1 | 1 | 300.00 | 75.00 | 37.50 |

Pin Configuration

| | | | |
|------------------------|----|----|---------------------|
| *FS0/REF0 | 1 | 48 | REF1/FS1* |
| VDDHTT | 2 | 47 | GND |
| X1 | 3 | 46 | VDDREF |
| X2 | 4 | 45 | REF2/FS2* |
| GND | 5 | 44 | Reset# |
| *ModeA/HTTCLK0 | 6 | 43 | VDDA |
| *ModeB/PCICLK8/HTTCLK1 | 7 | 42 | GND |
| PCICLK9/HTTCLK2 | 8 | 41 | CPUCLK8T0 |
| VDDPCI | 9 | 40 | CPUCLK8C0 |
| GND | 10 | 39 | GND |
| PCICLK11/HTTCLK3 | 11 | 38 | VDDCPU |
| PCICLK10 | 12 | 37 | CPUCLK8T1 |
| PCICLK0 | 13 | 36 | CPUCLK8C1 |
| PCICLK1 | 14 | 35 | VDDCPU |
| GND | 15 | 34 | GND |
| VDDPCI | 16 | 33 | GND |
| PCICLK2 | 17 | 32 | PD#* |
| PCICLK3 | 18 | 31 | 48MHz/FS3** |
| VDDPCI | 19 | 30 | GND |
| GND | 20 | 29 | AVDD48 |
| ^{2X} PCICLK4 | 21 | 28 | 24_48MHz/Sel24_48#* |
| ^{2X} PCICLK5 | 22 | 27 | GND |
| ^{2X} PCICLK6 | 23 | 26 | SDATA |
| ^{2X} PCICLK7 | 24 | 25 | SCLK |

48-SSOP

* Internal Pull-Up Resistor

^{2X} This Output has 2X Default Drive and can be programmed lower via IIC



Pin Descriptions

| PIN # | PIN NAME | PIN TYPE | DESCRIPTION |
|-------|------------------------|----------|---|
| 1 | *FS0/REF0 | I/O | Frequency select latch input pin / 14.318 MHz reference clock. |
| 2 | VDDHTT | PWR | Supply for HTT clocks, nominal 3.3V. |
| 3 | X1 | IN | Crystal input, Nominally 14.318MHz. |
| 4 | X2 | OUT | Crystal output, Nominally 14.318MHz |
| 5 | GND | PWR | Ground pin. |
| 6 | *ModeA/HTTCLK0 | I/O | Mode selection latch input pin / Hyper Transport output. |
| 7 | *ModeB/PCICLK8/HTTCLK1 | I/O | Mode selection latch input pin / PCI clock output / Hyper Transport output. |
| 8 | PCICLK9/HTTCLK2 | OUT | PCI clock output / Hyper Transport output. |
| 9 | VDDPCI | PWR | Power supply for PCI clocks, nominal 3.3V |
| 10 | GND | PWR | Ground pin. |
| 11 | PCICLK11/HTTCLK3 | I/O | PCI clock output / Hyper Transport output. |
| 12 | PCICLK10 | OUT | PCI clock output. |
| 13 | PCICLK0 | OUT | PCI clock output. |
| 14 | PCICLK1 | OUT | PCI clock output. |
| 15 | GND | PWR | Ground pin. |
| 16 | VDDPCI | PWR | Power supply for PCI clocks, nominal 3.3V |
| 17 | PCICLK2 | OUT | PCI clock output. |
| 18 | PCICLK3 | OUT | PCI clock output. |
| 19 | VDDPCI | PWR | Power supply for PCI clocks, nominal 3.3V |
| 20 | GND | PWR | Ground pin. |
| 21 | 2XPCICLK4 | OUT | PCI clock output. This output is default @ 2X drive and can be programmed to lower drive via IIC. |
| 22 | 2XPCICLK5 | OUT | PCI clock output. This output is default @ 2X drive and can be programmed to lower drive via IIC. |
| 23 | 2XPCICLK6 | OUT | PCI clock output. This output is default @ 2X drive and can be programmed to lower drive via IIC. |
| 24 | 2XPCICLK7 | OUT | PCI clock output. This output is default @ 2X drive and can be programmed to lower drive via IIC. |
| 25 | SCLK | IN | Clock pin of I2C circuitry 5V tolerant |
| 26 | SDATA | I/O | Data pin for I2C circuitry 5V tolerant |
| 27 | GND | PWR | Ground pin. |
| 28 | 24_48MHz/Sel24_48#* | I/O | 24/48MHz clock output / Latched select input for 24/48MHz output. 0=48MHz, 1 = 24MHz. |
| 29 | AVDD48 | PWR | Power for 24/48MHz outputs and fixed PLL core, nominal 3.3V |
| 30 | GND | PWR | Ground pin. |
| 31 | 48MHz/FS3** | I/O | Fixed 48MHz clock output. 3.3V / Frequency select latch input pin |
| 32 | PD#* | IN | Asynchronous active low input pin used to power down the device into a low power state. The internal clocks are disabled and the VCO and the crystal are stopped. |
| 33 | GND | PWR | Ground pin. |
| 34 | GND | PWR | Ground pin. |
| 35 | VDDCPU | PWR | Supply for CPU clocks, 3.3V nominal |
| 36 | CPUCLK8C1 | OUT | Complimentary clock of differential 3.3V push-pull K8 pair. |
| 37 | CPUCLK8T1 | OUT | True clock of differential 3.3V push-pull K8 pair. |
| 38 | VDDCPU | PWR | Supply for CPU clocks, 3.3V nominal |
| 39 | GND | PWR | Ground pin. |
| 40 | CPUCLK8C0 | OUT | Complimentary clock of differential 3.3V push-pull K8 pair. |
| 41 | CPUCLK8T0 | OUT | True clock of differential 3.3V push-pull K8 pair. |
| 42 | GND | PWR | Ground pin. |
| 43 | VDDA | PWR | 3.3V power for the PLL core. |
| 44 | Reset# | OUT | Real time system reset signal for frequency gear ratio change or watchdog timer timeout. This signal is active low. |
| 45 | REF2/FS2* | I/O | 14.318 MHz reference clock / Frequency select latch input pin. |
| 46 | VDDREF | PWR | Ref, XTAL power supply, nominal 3.3V |
| 47 | GND | PWR | Ground pin. |
| 48 | REF1/FS1* | I/O | 14.318 MHz reference clock / Frequency select latch input pin. |

* Internal Pull-Up Resistor ** Internal Pull-Down Resistor ~ 1.5X Drive Strength

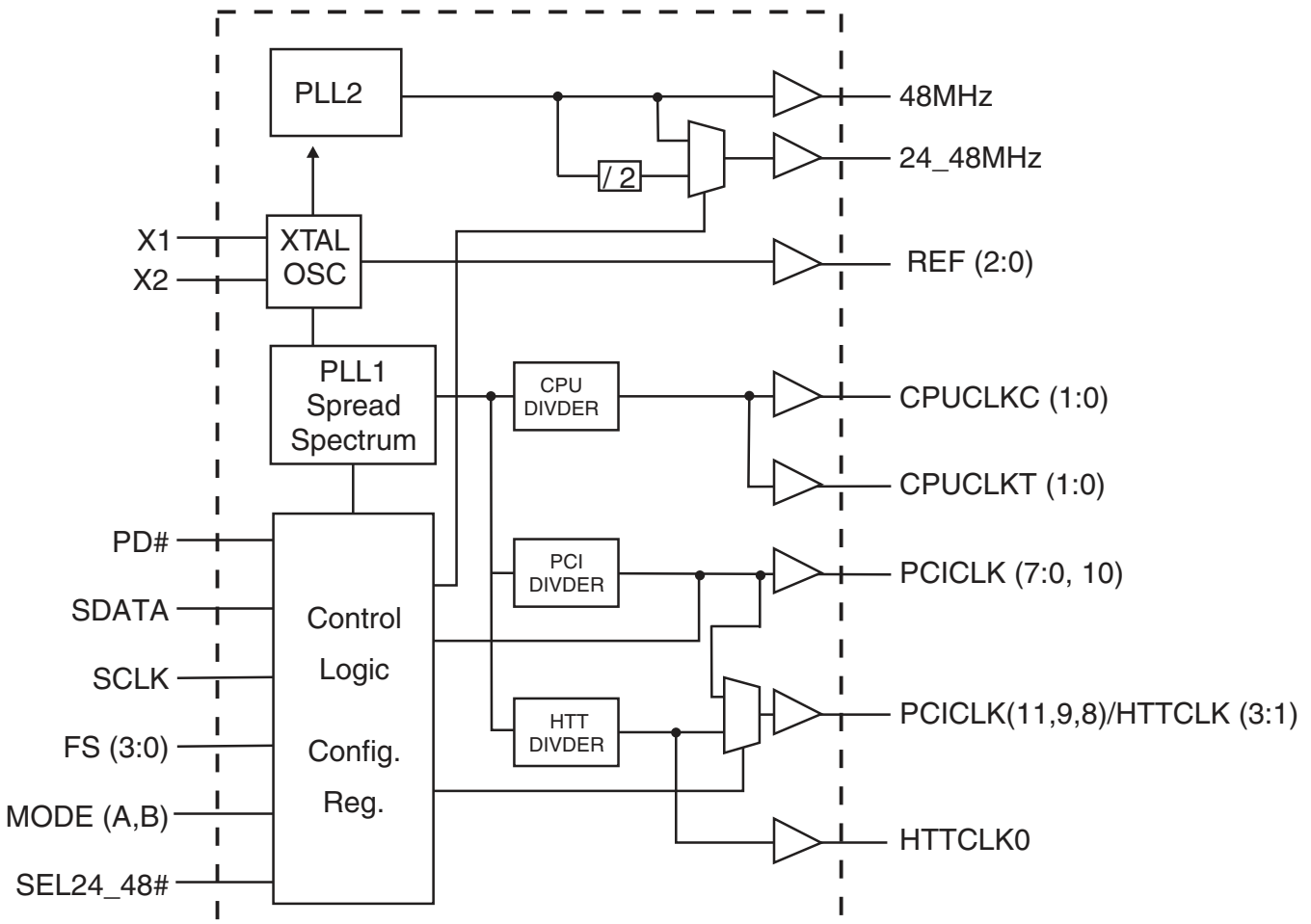


General Description

The ICS950405 is a main system clock solution for desktop designs using the AMD K8 CPU. It provides all necessary clock signals for Clawhammer and Sledgehammer with AMD, VIA or ALI systems.

The ICS950405 is part of a whole new line of ICS clock generators and buffers called TCH™ (Timing Control Hub). This part incorporates ICS's newest clock technology which offers more robust features and functionality. Employing the use of a serially programmable I²C interface, this device can adjust the output clocks by configuring the frequency setting, the output divider ratios, selecting the ideal spread percentage, the output skew, the output strength, and enabling/disabling each individual output clock. M/N control can configure output frequency with resolution up to 0.1MHz increment.

Block Diagram





Power Groups

| Pin Number | | Description |
|------------|----------|-----------------------|
| VDD | GND | |
| 2 | 5 | Xtal, POR |
| 9 | 10 | PCICLK, HTTCLK O/p |
| 16,19 | 15,20 | PCICLK Outputs |
| 29 | 27,30,33 | 48 MHz, Fix Analog |
| 35,38 | 34,39 | CPU Outputs |
| 43 | 42 | Analog, CPU PLL, MCLK |
| 46 | 47 | REF, Digital Core |

Mode Functionality Tables

| ModeA | ModeB | Pin7 | Pin8 | Pin11 |
|-------|-------|---------|---------|----------|
| 0 | 0 | HTTCLK1 | HTTCLK2 | PCICLK11 |
| 0 | 1 | HTTCLK1 | HTTCLK2 | HTTCLK3 |
| 1 | 0 | PCICLK8 | PCICLK9 | PCICLK11 |
| 1 | 1 | HTTCLK1 | PCICLK9 | PCICLK11 |

Table1: Frequency Selection Table

| Bit3 | Bit2 | Bit1 | Bit0 | CPU | HTT | PCI |
|------|------|------|------|--------|-------|-------|
| FS3 | FS2 | FS1 | FS0 | MHz | MHz | MHz |
| 0 | 0 | 0 | 0 | 100.90 | 67.27 | 33.63 |
| 0 | 0 | 0 | 1 | 133.90 | 66.95 | 33.48 |
| 0 | 0 | 1 | 0 | 168.00 | 67.20 | 33.60 |
| 0 | 0 | 1 | 1 | 202.00 | 67.33 | 33.67 |
| 0 | 1 | 0 | 0 | 100.20 | 66.80 | 33.40 |
| 0 | 1 | 0 | 1 | 133.50 | 66.75 | 33.38 |
| 0 | 1 | 1 | 0 | 166.70 | 66.68 | 33.34 |
| 0 | 1 | 1 | 1 | 200.40 | 66.80 | 33.40 |
| 1 | 0 | 0 | 0 | 150.00 | 60.00 | 30.00 |
| 1 | 0 | 0 | 1 | 180.00 | 60.00 | 30.00 |
| 1 | 0 | 1 | 0 | 210.00 | 70.00 | 35.00 |
| 1 | 0 | 1 | 1 | 240.00 | 60.00 | 30.00 |
| 1 | 1 | 0 | 0 | 270.00 | 67.50 | 33.75 |
| 1 | 1 | 0 | 1 | 233.33 | 66.67 | 33.33 |
| 1 | 1 | 1 | 0 | 266.67 | 66.67 | 33.33 |
| 1 | 1 | 1 | 1 | 300.00 | 75.00 | 37.50 |



General I²C serial interface information

How to Write:

- Controller (host) sends a start bit.
- Controller (host) sends the write address $D2_{(H)}$
- ICS clock will **acknowledge**
- Controller (host) sends the beginning byte location = N
- ICS clock will **acknowledge**
- Controller (host) sends the data byte count = X
- ICS clock will **acknowledge**
- Controller (host) starts sending **Byte N through Byte N + X - 1**
(see Note 2)
- ICS clock will **acknowledge** each byte **one at a time**
- Controller (host) sends a Stop bit

How to Read:

- Controller (host) will send start bit.
- Controller (host) sends the write address $D2_{(H)}$
- ICS clock will **acknowledge**
- Controller (host) sends the beginning byte location = N
- ICS clock will **acknowledge**
- Controller (host) will send a separate start bit.
- Controller (host) sends the read address $D3_{(H)}$
- ICS clock will **acknowledge**
- ICS clock will send the data byte count = X
- ICS clock sends **Byte N + X - 1**
- ICS clock sends **Byte 0 through byte X (if $X_{(H)}$ was written to byte 8)**.
- Controller (host) will need to acknowledge each byte
- Controller (host) will send a not acknowledge bit
- Controller (host) will send a stop bit

| Index Block Write Operation | | | |
|-----------------------------|-----------|----------------------|-----|
| Controller (Host) | | ICS (Slave/Receiver) | |
| T | starT bit | | |
| Slave Address $D2_{(H)}$ | | | |
| WR | WRite | | |
| | | ACK | |
| Beginning Byte = N | | | |
| | | ACK | |
| Data Byte Count = X | | | |
| | | ACK | |
| Beginning Byte N | | X Byte | |
| | | | ACK |
| ○ | | | ○ |
| ○ | | | ○ |
| ○ | | | ○ |
| Byte N + X - 1 | | | |
| | | ACK | |
| P | stoP bit | | |

| Index Block Read Operation | | | |
|----------------------------|-----------------|----------------------|------------------|
| Controller (Host) | | ICS (Slave/Receiver) | |
| T | starT bit | | |
| Slave Address $D2_{(H)}$ | | | |
| WR | WRite | | |
| | | ACK | |
| Beginning Byte = N | | | |
| | | ACK | |
| RT | Repeat starT | | |
| Slave Address $D3_{(H)}$ | | | |
| RD | ReaD | | |
| | | ACK | |
| | | Data Byte Count = X | |
| ACK | | | |
| | | X Byte | |
| ACK | | | Beginning Byte N |
| ○ | | | ○ |
| ○ | | | ○ |
| ○ | | | ○ |
| | | Byte N + X - 1 | |
| N | Not acknowledge | | |
| P | stoP bit | | |



I²C Table: Frequency Select Register

| Byte 0 | Pin # | Name | Control Function | Type | 0 | 1 | PWD |
|--------|-------|-------------|-------------------|------|---------------------------------------|----------|-------|
| Bit 7 | - | SS_EN | Spread Enable | RW | OFF | ON | 1 |
| Bit 6 | - | SEL24_48MHz | Output Select | RW | 48MHz | 24MHz | Latch |
| Bit 5 | - | Reserved | Reserved | RW | Reserved | Reserved | X |
| Bit 4 | - | Reserved | Reserved | RW | Reserved | Reserved | X |
| Bit 3 | - | FS3 | Freq Select Bit 3 | RW | See Table1: Frequency Selection Table | | |
| Bit 2 | - | FS2 | Freq Select Bit 2 | RW | | | |
| Bit 1 | - | FS1 | Freq Select Bit 1 | RW | | | |
| Bit 0 | - | FS0 | Freq Select Bit 0 | RW | | | |
| | | | | | | | |

I²C Table: Output Control Register

| Byte 1 | Pin # | Name | Control Function | Type | 0 | 1 | PWD |
|--------|-------|------------------|------------------|------|---------|--------|-----|
| Bit 7 | 1 | REF0 | Output Control | RW | Disable | Enable | 1 |
| Bit 6 | 6 | HTTCLK0 | Output Control | RW | Disable | Enable | 1 |
| Bit 5 | 7 | PCICLK8/HTTCLK1 | Output Control | RW | Disable | Enable | 1 |
| Bit 4 | 8 | PCICLK9/HTTCLK2 | Output Control | RW | Disable | Enable | 1 |
| Bit 3 | 11 | PCICLK11/HTTCLK3 | Output Control | RW | Disable | Enable | 1 |
| Bit 2 | 12 | PCICLK10 | Output Control | RW | Disable | Enable | 1 |
| Bit 1 | 13 | PCICLK0 | Output Control | RW | Disable | Enable | 1 |
| Bit 0 | 14 | PCICLK1 | Output Control | RW | Disable | Enable | 1 |

I²C Table: Output Control Register

| Byte 2 | Pin # | Name | Control Function | Type | 0 | 1 | PWD |
|--------|-------|----------|------------------|------|---------|--------|-----|
| Bit 7 | 17 | PCICLK2 | Output Control | RW | Disable | Enable | 1 |
| Bit 6 | 18 | PCICLK3 | Output Control | RW | Disable | Enable | 1 |
| Bit 5 | 21 | PCICLK4 | Output Control | RW | Disable | Enable | 1 |
| Bit 4 | 22 | PCICLK5 | Output Control | RW | Disable | Enable | 1 |
| Bit 3 | 23 | PCICLK6 | Output Control | RW | Disable | Enable | 1 |
| Bit 2 | 24 | PCICLK7 | Output Control | RW | Disable | Enable | 1 |
| Bit 1 | 28 | 24_48MHz | Output Control | RW | Disable | Enable | 1 |
| Bit 0 | 31 | 48MHz | Output Control | RW | Disable | Enable | 1 |

I²C Table: Output Control Register

| Byte 3 | Pin # | Name | Control Function | Type | 0 | 1 | PWD |
|--------|-------|--------------|------------------------------|------|----------------|----------------|-----|
| Bit 7 | 37,36 | CPUCLK8T/C_1 | Output Control | RW | Disable | Enable | 1 |
| Bit 6 | 41,40 | CPUCLK8T/C_0 | Output Control | RW | Disable | Enable | 1 |
| Bit 5 | 45 | REF2 | Output Control | RW | Disable | Enable | 1 |
| Bit 4 | 48 | REF1 | Output Control | RW | Disable | Enable | 1 |
| Bit 3 | - | PCI_Str1 | PCI9,8 Strength Control only | RW | 00: 0.5X Drive | 10: 1.5X Drive | 0 |
| Bit 2 | - | PCI_Str0 | | RW | 01: 1.0X Drive | 11: 2.0X Drive | 1 |
| Bit 1 | - | PCI_Str1 | PCI11 Strength Control only | RW | 00: 0.5X Drive | 10: 1.5X Drive | 0 |
| Bit 0 | - | PCI_Str0 | | RW | 01: 1.0X Drive | 11: 2.0X Drive | 1 |



I²C Table: Output Control Register

| Byte 4 | | Pin # | Name | Control Function | Type | 0 | 1 | PWD |
|--------|---|-------|---------|-----------------------------------|------|----------------|----------------|-----|
| Bit 7 | - | | PCIStr1 | All other PCICLK Strength Control | RW | 00: 0.5X Drive | 10: 1.5X Drive | 0 |
| Bit 6 | - | | PCIStr0 | | RW | 01: 1.0X Drive | 11: 2.0X Drive | 1 |
| Bit 5 | - | | PCIStr1 | PCICLK (7:6) Strength Control | RW | 00: 0.5X Drive | 10: 1.5X Drive | 1 |
| Bit 4 | - | | PCIStr0 | | RW | 01: 1.0X Drive | 11: 2.0X Drive | 1 |
| Bit 3 | - | | PCIStr1 | PCICLK (5) Strength Control | RW | 00: 0.5X Drive | 10: 1.5X Drive | 1 |
| Bit 2 | - | | PCIStr0 | | RW | 01: 1.0X Drive | 11: 2.0X Drive | 1 |
| Bit 1 | - | | PCIStr1 | PCICLK (4) Strength Control | RW | 00: 0.5X Drive | 10: 1.5X Drive | 1 |
| Bit 0 | - | | PCIStr0 | | RW | 01: 1.0X Drive | 11: 2.0X Drive | 1 |

I²C Table: Reserved Register

| Byte 5 | | Pin # | Name | Control Function | Type | 0 | 1 | PWD |
|--------|---|-------|----------|------------------|------|----------|----------|-----|
| Bit 7 | - | | Reserved | Reserved | RW | Reserved | Reserved | X |
| Bit 6 | - | | Reserved | Reserved | RW | Reserved | Reserved | X |
| Bit 5 | - | | Reserved | Reserved | RW | Reserved | Reserved | X |
| Bit 4 | - | | Reserved | Reserved | RW | Reserved | Reserved | X |
| Bit 3 | - | | Reserved | Reserved | RW | Reserved | Reserved | X |
| Bit 2 | - | | Reserved | Reserved | RW | Reserved | Reserved | X |
| Bit 1 | - | | Reserved | Reserved | RW | Reserved | Reserved | X |
| Bit 0 | - | | Reserved | Reserved | RW | Reserved | Reserved | X |

I²C Table: Byte Count Register

| Byte 6 | | Pin # | Name | Control Function | Type | 0 | 1 | PWD |
|--------|---|-------|------|-------------------------------|------|--|---|-----|
| Bit 7 | - | | BC7 | Byte Count Programming b(7:0) | RW | Writing to this register will configure how many bytes will be read back, default is 06 = 6 bytes. | | 0 |
| Bit 6 | - | | BC6 | | RW | | | 0 |
| Bit 5 | - | | BC5 | | RW | | | 0 |
| Bit 4 | - | | BC4 | | RW | | | 0 |
| Bit 3 | - | | BC3 | | RW | | | 0 |
| Bit 2 | - | | BC2 | | RW | | | 1 |
| Bit 1 | - | | BC1 | | RW | | | 1 |
| Bit 0 | - | | BC0 | | RW | | | 0 |

I²C Table: Byte Count and Vendor ID Register

| Byte 7 | | Pin # | Name | Control Function | Type | 0 | 1 | PWD |
|--------|---|-------|------------|------------------|------|---|---|-----|
| Bit 7 | - | | REV_ID3 | Revision ID | RW | - | - | 0 |
| Bit 6 | - | | REV_ID2 | | RW | - | - | 0 |
| Bit 5 | - | | REV_ID1 | | RW | - | - | 0 |
| Bit 4 | - | | REV_ID0 | | RW | - | - | 0 |
| Bit 3 | - | | Vendor_ID3 | Vendor ID | RW | - | - | 0 |
| Bit 2 | - | | Vendor_ID2 | | RW | - | - | 0 |
| Bit 1 | - | | Vendor_ID1 | | RW | - | - | 0 |
| Bit 0 | - | | Vendor_ID0 | | RW | - | - | 1 |



I²C Table: Skew Control Register

| Byte 8 | Pin # | Name | Control Function | Type | 0 | 1 | PWD | | |
|--------|-------|-------------|--------------------------------------|------|----------|----------|----------|----------|---|
| Bit 7 | - | PCI/HTTSkw3 | CPU-PCI/HTT 7 Step Skew Control (ps) | RW | 0000:0 | 0100:150 | 1000:300 | 1100:450 | 1 |
| Bit 6 | - | PCI/HTTSkw2 | | RW | 0001:N/A | 0101:N/A | 1001:N/A | 1101:600 | 1 |
| Bit 5 | - | PCI/HTTSkw1 | | RW | 0010:N/A | 0110:N/A | 1010:N/A | 1110:750 | 0 |
| Bit 4 | - | PCI/HTTSkw0 | | RW | 0011:N/A | 0111:N/A | 1011:N/A | 1111:900 | 0 |
| Bit 3 | - | PCISkw3 | CPU-PCI 7 Step Skew Control (ps) | RW | 0000:0 | 0100:150 | 1000:300 | 1100:450 | 1 |
| Bit 2 | - | PCISkw2 | | RW | 0001:N/A | 0101:N/A | 1001:N/A | 1101:600 | 1 |
| Bit 1 | - | PCISkw1 | | RW | 0010:N/A | 0110:N/A | 1010:N/A | 1110:750 | 0 |
| Bit 0 | - | PCISkw0 | | RW | 0011:N/A | 0111:N/A | 1011:N/A | 1111:900 | 0 |

I²C Table: WD Time Control & Async Frequency Selection Register

| Byte 9 | Pin # | Name | Control Function | Type | 0 | 1 | PWD |
|--------|-------|----------|-----------------------------|------|---|-------------|-----|
| Bit 7 | - | ASEL | Async Frequency Select | RW | 66MHz | 75.4MHz | 0 |
| Bit 6 | - | AEN | AGP/PCI/ Freq Source Select | RW | FIX PLL | CPU PLL | 1 |
| Bit 5 | - | Reserved | Reserved | RW | - | - | X |
| Bit 4 | - | Reserved | Reserved | RW | - | - | X |
| Bit 3 | - | WDTCtrl | Watch Dog Time base Control | RW | 290ms Base | 1160ms Base | 0 |
| Bit 2 | - | WD2 | WD Timer Bit 2 | RW | These bits represent X*290ms (or 1.16S) the watchdog timer waits before it goes to alarm mode. Default is 7 X 290ms = 2s. | | 1 |
| Bit 1 | - | WD1 | WD Timer Bit 1 | RW | | | 1 |
| Bit 0 | - | WD0 | WD Timer Bit 0 | RW | | | 1 |

I²C Table: VCO Control Select Bit & WD Timer Control Register

| Byte 10 | Pin # | Name | Control Function | Type | 0 | 1 | PWD |
|---------|-------|----------|--------------------------------------|------|--|--------|-----|
| Bit 7 | - | M/NEN | M/N Programming Enable | RW | Disable | Enable | 0 |
| Bit 6 | - | WDEN | Watchdog Enable | RW | Disable | Enable | 0 |
| Bit 5 | - | WDStatus | WD Alarm Status | R | Normal | Alarm | 0 |
| Bit 4 | - | WD SF4 | Watch Dog Safe Freq Programming bits | RW | Writing to these bit will configure the safe frequency as Byte0 bit (4:0). | | 0 |
| Bit 3 | - | WD SF3 | | RW | | | 0 |
| Bit 2 | - | WD SF2 | | RW | | | 0 |
| Bit 1 | - | WD SF1 | | RW | | | 0 |
| Bit 0 | - | WD SF0 | | RW | | | 0 |

I²C Table: VCO Frequency Control Register

| Byte 11 | Pin # | Name | Control Function | Type | 0 | 1 | PWD |
|---------|-------|--------|----------------------------------|--|---|---|-----|
| Bit 7 | - | N Div8 | N Divider Prog bit 8 | RW | The decimal representation of N Divider in Byte 11 and 12 | | X |
| Bit 6 | - | N Div9 | N Divider Prog bit 9 | RW | | | X |
| Bit 5 | - | M Div5 | M Divider Programming bits (5:0) | RW | The decimal representation of M and N Divider in Byte 11 and 12 will configure the VCO frequency. Default at power up = latch-in or Byte 0 Rom table. | | X |
| Bit 4 | - | M Div4 | | RW | | | X |
| Bit 3 | - | M Div3 | | RW | | | X |
| Bit 2 | - | M Div2 | | RW | | | X |
| Bit 1 | - | M Div1 | | RW | | | X |
| Bit 0 | - | M Div0 | RW | VCO Frequency = 14.318 x [NDiv(9:0)+8] / [MDiv(5:0)+2] | | X | |



I²C Table: VCO Frequency Control Register

| Byte 12 | | Pin # | Name | Control Function | Type | 0 | 1 | PWD |
|---------|---|-------|--------|---------------------------------|------|---|---|-----|
| Bit 7 | - | - | N Div7 | N Divider Programming bit (7:0) | RW | The decimal representation of M and N Divier in Byte 11 and 12 will configure the VCO frequency. Default at power up = latch-in or Byte 0 Rom table. VCO Frequency = $14.318 \times [N\text{Div}(9:0)+8] / [M\text{Div}(5:0)+2]$ | | X |
| Bit 6 | - | - | N Div6 | | RW | | | X |
| Bit 5 | - | - | N Div5 | | RW | | | X |
| Bit 4 | - | - | N Div4 | | RW | | | X |
| Bit 3 | - | - | N Div3 | | RW | | | X |
| Bit 2 | - | - | N Div2 | | RW | | | X |
| Bit 1 | - | - | N Div1 | | RW | | | X |
| Bit 0 | - | - | N Div0 | | RW | | | X |

I²C Table: Spread Spectrum Control Register

| Byte 13 | | Pin # | Name | Control Function | Type | 0 | 1 | PWD |
|---------|---|-------|------|------------------------------------|------|--|---|-----|
| Bit 7 | - | - | SSP7 | Spread Spectrum Programming b(7:0) | RW | These Spread Spectrum bits in Byte 13 and 14 will program the spread percentage. It is recommended to use ICS Spread % table for spread programming. | | X |
| Bit 6 | - | - | SSP6 | | RW | | | X |
| Bit 5 | - | - | SSP5 | | RW | | | X |
| Bit 4 | - | - | SSP4 | | RW | | | X |
| Bit 3 | - | - | SSP3 | | RW | | | X |
| Bit 2 | - | - | SSP2 | | RW | | | X |
| Bit 1 | - | - | SSP1 | | RW | | | X |
| Bit 0 | - | - | SSP0 | | RW | | | X |

I²C Table: Spread Spectrum Control Register

| Byte 14 | | Pin # | Name | Control Function | Type | 0 | 1 | PWD |
|---------|---|-------|----------|-------------------------------------|------|--|---|-----|
| Bit 7 | - | - | Reserved | Reserved | R | - | - | 0 |
| Bit 6 | - | - | SSP14 | Spread Spectrum Programming b(14:8) | RW | These Spread Spectrum bits in Byte 13 and 14 will program the spread percentage. It is recommended to use ICS Spread % table for spread programming. | | X |
| Bit 5 | - | - | SSP13 | | RW | | | X |
| Bit 4 | - | - | SSP12 | | RW | | | X |
| Bit 3 | - | - | SSP11 | | RW | | | X |
| Bit 2 | - | - | SSP10 | | RW | | | X |
| Bit 1 | - | - | SSP9 | | RW | | | X |
| Bit 0 | - | - | SSP8 | | RW | | | X |



Absolute Maximum Ratings

| | |
|-------------------------------|---|
| Supply Voltage | 3.8V |
| Logic Inputs | GND –0.5 V to $V_{DD} + 3.8$ V |
| Ambient Operating Temperature | 0°C to +70°C |
| Storage Temperature | –65°C to +150°C |
| ESD Protection | Input ESD protection using human body model > 1KV |

Stresses above those listed under *Absolute Maximum Ratings* may cause permanent damage to the device. These ratings are stress specifications only and functional operation of the device at these or any other conditions above those listed in the operational sections of the specifications is not implied. Exposure to absolute maximum rating conditions for extended periods may affect product reliability.

Electrical Characteristics - Input/Supply/Common Output Parameters

$T_A = 0 - 70^\circ\text{C}$; Supply Voltage $V_{DD} = 3.3$ V +/-5% (unless otherwise stated)

| PARAMETER | SYMBOL | CONDITIONS | MIN | TYP | MAX | UNITS |
|--------------------------------|---------------|--|----------------|-----|----------------|-------|
| Input High Voltage | V_{IH} | | 2 | | $V_{DD} + 0.3$ | V |
| Input Low Voltage | V_{IL} | | $V_{SS} - 0.3$ | | 0.8 | V |
| Input High Current | I_{IH} | $V_{IN} = V_{DD}$ | | | 5 | mA |
| Input Low Current | I_{IL1} | $V_{IN} = 0$ V; Inputs with no pull-up resistors | -5 | | | mA |
| Input Low Current | I_{IL2} | $V_{IN} = 0$ V; Inputs with pull-up resistors | -200 | | | mA |
| Operating Supply Current | $I_{DD(op)}$ | $C_L = 0$ pF; Select @ 100MHz | | | 180 | mA |
| Power Down Supply Current | I_{DDPD} | $C_L = 0$ pF; With input address to Vdd or GND | | | 40 | mA |
| Input frequency | F_i | $V_{DD} = 3.3$ V; | 11 | | 16 | MHz |
| Input Capacitance ¹ | C_{IN} | Logic Inputs | | | 5 | pF |
| | C_{INX} | X1 & X2 pins | 27 | | 45 | pF |
| Transition Time ¹ | T_{trans} | To 1st crossing of target Freq. | | | 3 | ms |
| Clk Stabilization ¹ | T_{STAB} | From $V_{DD} = 3.3$ V to 1% target Freq. | | | 3 | ms |
| Skew ¹ | $T_{CPU-PCI}$ | $V_T = 1.5$ V | 1.5 | | 4 | ns |

¹Guaranteed by design, not 100% tested in production.



Electrical Characteristics - K8 Push Pull Differential Pair

T_A = 0 - 70°C; V_{DD} = 3.3 V +/-5%; C_L =AMD64 Processor Test Load

| PARAMETER | SYMBOL | CONDITIONS | MIN | TYP | MAX | UNITS | NOTES |
|--|-----------------------|--|-------|-----|------|----------|-------|
| Rising Edge Rate | $\delta V/\delta t$ | Measured at the AMD64 processor's test load. 0 V +/- 400 mV (differential) | 2 | | 10 | V/ns | 1 |
| Falling Edge Rate | $\delta V/\delta t$ | | 2 | | 10 | V/ns | 1 |
| Differential Voltage | V _{DIFF} | Measured at the AMD64 processor's test load. (single-ended measurement) | 0.4 | | 2.3 | V | 1 |
| Change in V _{DIFF_DC} Magnitude | ΔV_{DIFF} | | -150 | | 150 | mV | 1 |
| Common Mode Voltage | V _{CM} | | 1.05 | | 1.45 | V | 1 |
| Change in Common Mode Voltage | ΔV_{CM} | | -200 | | 200 | mV | 1 |
| Jitter, Cycle to cycle | t _{jyc-cyc} | Measurement from differential waveform. Maximum difference of cycle time between 2 adjacent cycles. | 0 | | 200 | ps | 1 |
| Jitter, Accumulated | t _{ja} | Measured using the JIT2 software package with a Tek 7404 scope. TIE (Time Interval Error) measurement technique: Sample resolution = 50 ps, Sample Duration = 10 μ s | -1000 | | 1000 | | 1,2,3 |
| Duty Cycle | d ₁₃ | Measurement from differential waveform | 45 | | 53 | % | 1 |
| Output Impedance | R _{ON} | Average value during switching transition. Used for determining series termination value. | 15 | | 55 | Ω | 1 |
| Group Skew | t _{src-skew} | Measurement from differential waveform | | | 250 | ps | 1 |

¹Guaranteed by design and characterization, not 100% tested in production.

²All accumulated jitter specifications are guaranteed assuming that REF is at 14.31818MHz

³Spread Spectrum is off



Electrical Characteristics - PCICLK

$T_A = 0 - 70^\circ\text{C}$; $V_{DD} = 3.3\text{ V}, \pm 5\%$; $C_L = 30\text{ pF}$

| PARAMETER | SYMBOL | CONDITIONS | MIN | TYP | MAX | UNITS |
|-------------------------|-----------------|--|-----|-----|-----|-------|
| Output High Voltage | V_{OH1} | $I_{OH} = -18\text{ mA}$ | 2.1 | | | V |
| Output Low Voltage | V_{OL1} | $I_{OL} = 9.4\text{ mA}$ | | | 0.4 | V |
| Output High Current | I_{OH1} | $V_{OH} = 2.0\text{ V}$ | | | -22 | mA |
| Output Low Current | I_{OL1} | $V_{OL} = 0.8\text{ V}$ | 16 | | 57 | mA |
| Rise Time ¹ | t_{r1} | $V_{OL} = 0.4\text{ V}, V_{OH} = 2.4\text{ V}$ | | | 2 | ns |
| Fall Time ¹ | t_{f1} | $V_{OH} = 2.4\text{ V}, V_{OL} = 0.4\text{ V}$ | | | 2 | ns |
| Duty Cycle ¹ | d_{t1} | $V_T = 1.5\text{ V}$ | 45 | | 55 | % |
| Skew ¹ | t_{sk1} | $V_T = 1.5\text{ V}$ | | | 500 | ps |
| Jitter | $t_{jvc-cyc}^1$ | $V_T = 1.5\text{ V}$ | | | 500 | ps |
| | t_{jabs1} | $V_T = 1.5\text{ V}$ | | | 500 | ps |

¹Guaranteed by design, not 100% tested in production.

Electrical Characteristics - ZCLK

$T_A = 0 - 70^\circ\text{C}$; $V_{DD}=3.3\text{V} \pm 5\%$; $C_L = 10\text{-}30\text{ pF}$ (unless otherwise specified)

| PARAMETER | SYMBOL | CONDITIONS | MIN | TYP | MAX | UNITS |
|---------------------|-----------------|--|-----|-----|------|----------|
| Output Frequency | F_{O1} | | | | | MHz |
| Output Impedance | R_{DSP1}^1 | $V_O = V_{DD} * (0.5)$ | 12 | | 55 | Ω |
| Output High Voltage | V_{OH}^1 | $I_{OH} = -1\text{ mA}$ | 2.4 | | | V |
| Output Low Voltage | V_{OL}^1 | $I_{OL} = 1\text{ mA}$ | | | 0.55 | V |
| Output High Current | I_{OH}^1 | $V_{OH@MIN} = 1.0\text{ V}, V_{OH@MAX} = 3.135\text{ V}$ | -33 | | -33 | mA |
| Output Low Current | I_{OL}^1 | $V_{OL@MIN} = 1.95\text{ V}, V_{OL@MAX} = 0.4\text{ V}$ | 30 | | 38 | mA |
| Rise Time | t_{r1}^1 | $V_{OL} = 0.4\text{ V}, V_{OH} = 2.4\text{ V}$ | 0.5 | | 2 | ns |
| Fall Time | t_{f1}^1 | $V_{OH} = 2.4\text{ V}, V_{OL} = 0.4\text{ V}$ | 0.5 | | 2 | ns |
| Duty Cycle | d_{t1}^1 | $V_T = 1.5\text{ V}$ | 45 | | 55 | % |
| Skew | t_{sk1}^1 | $V_T = 1.5\text{ V}$ | | | 250 | ps |
| Jitter | $t_{jvc-cyc}^1$ | $V_T = 1.5\text{ V}$ 3V66 | | | 250 | ps |



Electrical Characteristics - AGPCLK

T_A = 0 - 70°C; VDD=3.3V +/-5%; C_L = 10-30 pF (unless otherwise specified)

| PARAMETER | SYMBOL | CONDITIONS | MIN | TYP | MAX | UNITS |
|---------------------|-------------------------------------|--|-----|-----|------|-------|
| Output Frequency | F _{O1} | | | | | MHz |
| Output Impedance | R _{DSP1} ¹ | V _O = V _{DD} *(0.5) | 12 | | 55 | Ω |
| Output High Voltage | V _{OH} ¹ | I _{OH} = -1 mA | 2.4 | | | V |
| Output Low Voltage | V _{OL} ¹ | I _{OL} = 1 mA | | | 0.55 | V |
| Output High Current | I _{OH} ¹ | V _{OH@MIN} = 1.0 V, V _{OH@MAX} = 3.135 V | -33 | | -33 | mA |
| Output Low Current | I _{OL} ¹ | V _{OL@MIN} = 1.95 V, V _{OL@MAX} = 0.4 V | 30 | | 38 | mA |
| Rise Time | t _{r1} ¹ | V _{OL} = 0.4 V, V _{OH} = 2.4 V | 0.5 | | 2 | ns |
| Fall Time | t _{f1} ¹ | V _{OH} = 2.4 V, V _{OL} = 0.4 V | 0.5 | | 2 | ns |
| Duty Cycle | d _{t1} ¹ | V _T = 1.5 V | 45 | | 55 | % |
| Skew | t _{sk1} ¹ | V _T = 1.5 V | | | 250 | ps |
| Jitter | t _{jycyc-cyc} ¹ | V _T = 1.5 V 3V66 | | | 250 | ps |

Electrical Characteristics - REF

T_A = 0 - 70°C; V_{DD} = 3.3 V , +/-5%; C_L = 10 - 20 pF (unless otherwise stated)

| PARAMETER | SYMBOL | CONDITIONS | MIN | TYP | MAX | UNITS |
|-------------------------|-------------------------|--|-----|-----|------|-------|
| Output High Voltage | V _{OH5} | I _{OH} = -12 mA | 2.6 | | | V |
| Output Low Voltage | V _{OL5} | I _{OL} = 9 mA | | | 0.4 | V |
| Output High Current | I _{OH5} | V _{OH} = 2.0 V | | | -22 | mA |
| Output Low Current | I _{OL5} | V _{OL} = 0.8 V | 16 | | | mA |
| Rise Time ¹ | t _{r5} | V _{OL} = 0.4 V, V _{OH} = 2.4 V | | | 4 | ns |
| Fall Time ¹ | t _{f5} | V _{OH} = 2.4 V, V _{OL} = 0.4 V | | | 4 | ns |
| Duty Cycle ¹ | d _{t5} | V _T = 1.5 V | 45 | | 55 | % |
| Jitter ¹ | t _{jycyc-cyc5} | V _T = 1.5 V | | | 1000 | ps |
| | t _{jabs5} | V _T = 1.5 V | | | 800 | ps |



Shared Pin Operation - Input/Output Pins

The I/O pins designated by (input/output) on the ICS950405 serve as dual signal functions to the device. During initial power-up, they act as input pins. The logic level (voltage) that is present on these pins at this time is read and stored into a 5-bit internal data latch. At the end of Power-On reset, (see AC characteristics for timing values), the device changes the mode of operations for these pins to an output function. In this mode the pins produce the specified buffered clocks to external loads.

To program (load) the internal configuration register for these pins, a resistor is connected to either the VDD (logic 1) power supply or the GND (logic 0) voltage potential. A 10 Kilohm (10K) resistor is used to provide both the solid CMOS programming voltage needed during the power-up programming period and to provide an insignificant load on the output clock during the subsequent operating period.

Figure 1 shows a means of implementing this function when a switch or 2 pin header is used. With no jumper is installed the pin will be pulled high. With the jumper in place the pin will be pulled low. If programmability is not necessary, than only a single resistor is necessary. The programming resistors should be located close to the series termination resistor to minimize the current loop area. It is more important to locate the series termination resistor close to the driver than the programming resistor.

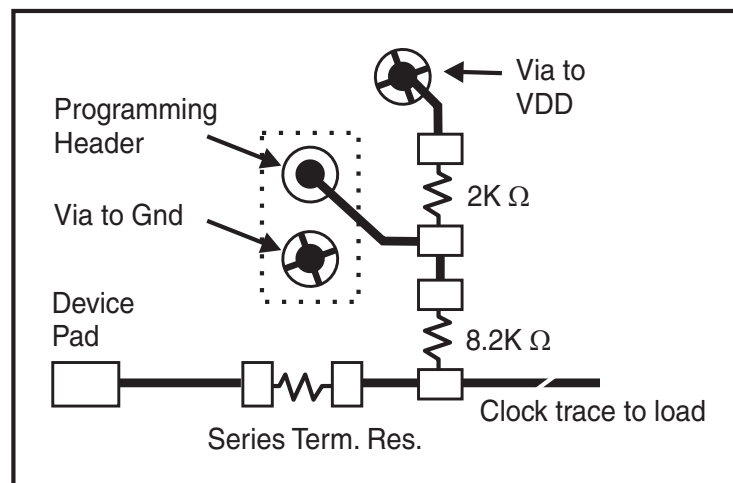
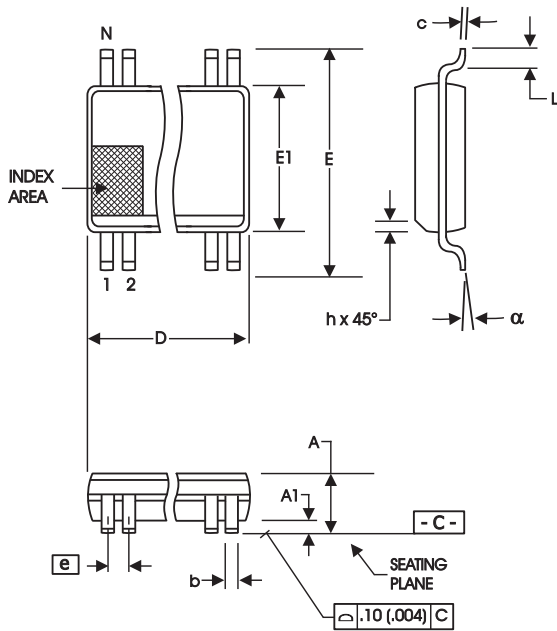


Fig. 1



300 mil SSOP Package

| SYMBOL | In Millimeters COMMON DIMENSIONS | | In Inches COMMON DIMENSIONS | |
|--------|-------------------------------------|-------|--------------------------------|-------|
| | MIN | MAX | MIN | MAX |
| A | 2.41 | 2.80 | .095 | .110 |
| A1 | 0.20 | 0.40 | .008 | .016 |
| b | 0.20 | 0.34 | .008 | .0135 |
| c | 0.13 | 0.25 | .005 | .010 |
| D | SEE VARIATIONS | | SEE VARIATIONS | |
| E | 10.03 | 10.68 | .395 | .420 |
| E1 | 7.40 | 7.60 | .291 | .299 |
| e | 0.635 BASIC | | 0.025 BASIC | |
| h | 0.38 | 0.64 | .015 | .025 |
| L | 0.50 | 1.02 | .020 | .040 |
| N | SEE VARIATIONS | | SEE VARIATIONS | |
| α | 0° | 8° | 0° | 8° |

| N | VARIATIONS | | | |
|----|------------|-------|----------|------|
| | D mm. | | D (inch) | |
| | MIN | MAX | MIN | MAX |
| 48 | 15.75 | 16.00 | .620 | .630 |

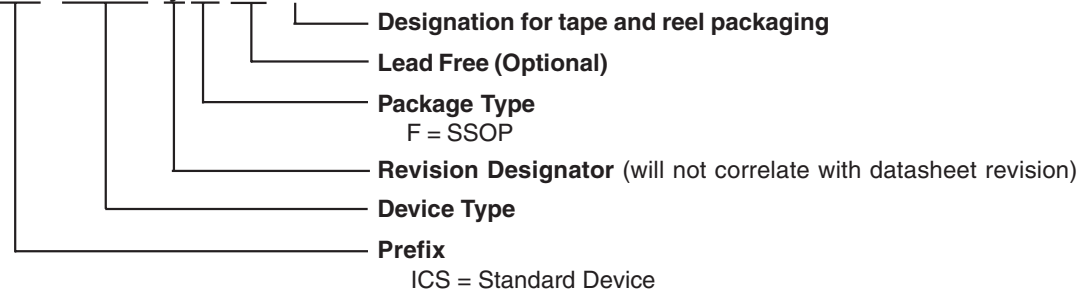
Reference Doc.: JEDEC Publication 95, MO-118
10-0034

Ordering Information

ICS950405yFLF-T

Example:

ICS XXXX y F LF-T





Revision History

| Rev. | Issue Date | Description | Page # |
|------|------------|--|--------|
| 0.1 | 4/21/2005 | Updated Byte 11/12 M/N programming description | 8-9 |
| | | | |