



Chipsmall Limited consists of a professional team with an average of over 10 year of expertise in the distribution of electronic components. Based in Hongkong, we have already established firm and mutual-benefit business relationships with customers from,Europe,America and south Asia,supplying obsolete and hard-to-find components to meet their specific needs.

With the principle of “Quality Parts,Customers Priority,Honest Operation,and Considerate Service”,our business mainly focus on the distribution of electronic components. Line cards we deal with include Microchip,ALPS,ROHM,Xilinx,Pulse,ON,Everlight and Freescale. Main products comprise IC,Modules,Potentiometer,IC Socket,Relay,Connector.Our parts cover such applications as commercial,industrial, and automotives areas.

We are looking forward to setting up business relationship with you and hope to provide you with the best service and solution. Let us make a better world for our industry!



Contact us

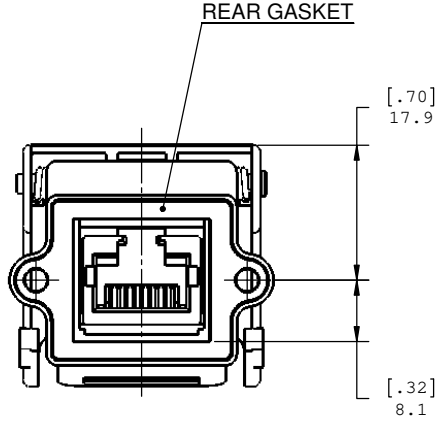
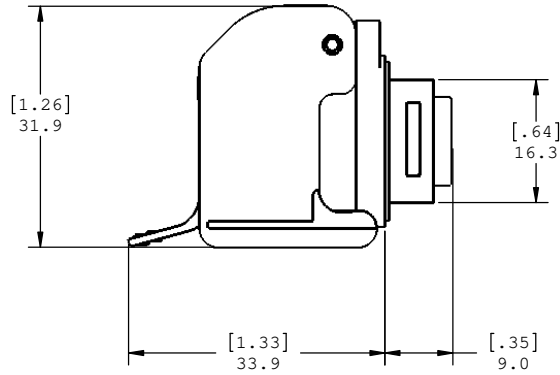
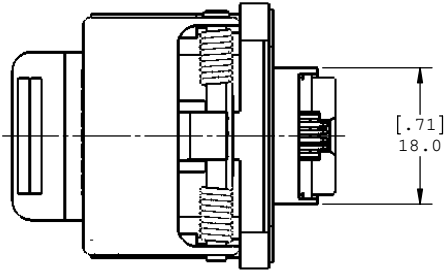
Tel: +86-755-8981 8866 Fax: +86-755-8427 6832

Email & Skype: info@chipsmall.com Web: www.chipsmall.com

Address: A1208, Overseas Decoration Building, #122 Zhenhua RD., Futian, Shenzhen, China



REV - DESCRIPT - DATE - APPRVD



CONNECTOR WITH COVER CLOSED

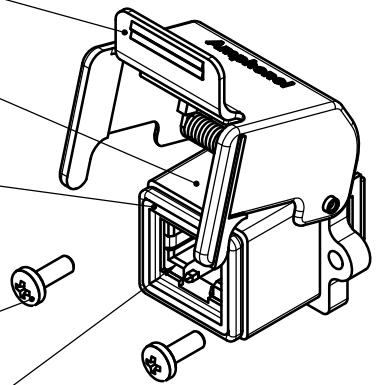
SPRING LOADED COVER WITH GASKET

SHELL

PLUG SEALING GASKET (SUPPLIED FOR ID750-000 ONLY)

SELF-SEALING 4-40 UNC SCREW 7.9 [.313] LENGTH

RJ INSERT



NOTES:

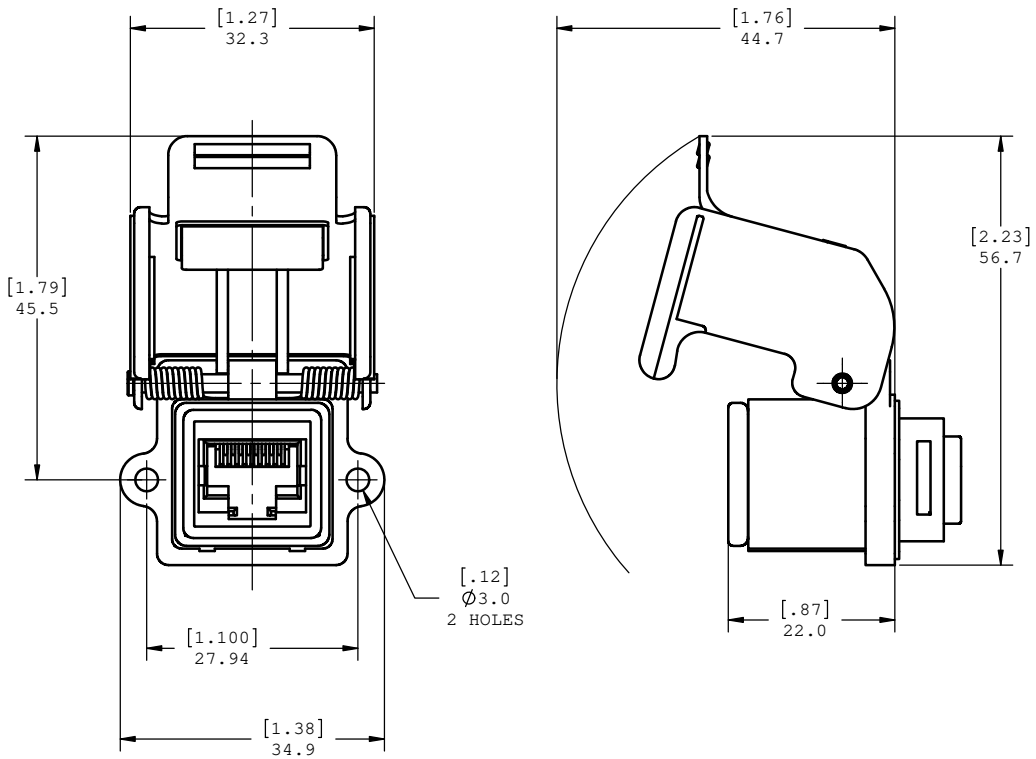
1. MATERIAL:
 - SHELL: ZINC ALLOY DIE CAST, 3 MICRONS [120 μm] MIN NICKEL OVERALL.
 - COVER: ZINC ALLOY DIE CAST, 3 MICRONS [120 μm] MIN NICKEL OVERALL.
 - SCREWS: STAINLESS STEEL.
 - HOUSING: HIGH TEMPERATURE THERMOPLASTIC, GLASS FILLED. FLAMMABILITY RATING UL94V-0, COLOR - BLACK.
 - CONTACTS: PHOSPHOR BRONZE, 1.27 MICRONS [50 μm] GOLD PLATED OVER NICKEL.
 - GASKETS: SILICONE RUBBER.
2. OPERATING TEMPERATURE: -40°C TO +85°C.
3. ENVIRONMENT PERFORMANCE: IP67.
4. CONNECTOR IS ROHS COMPLIANT PER EU DIRECTIVE 2002/95/EC AND AMENDMENTS.
5. CONNECTOR IS ETHERNET CAT5 TEST COMPLIANT PER TIA/EIA 568B - ISO/IEC 11801 STANDARD.
6. PART NUMBER FOR ORDER IS ID450-000.



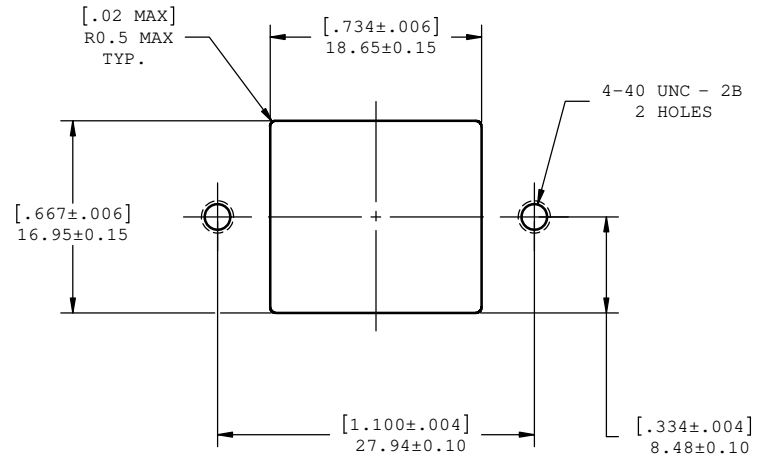
UNLESS OTHERWISE SPECIFIED DIMENSIONS ARE IN MILLIMETER TOLERANCES ARE:		APPROVALS	DATE	Amphenol Canada Corp.		
DECIMALS	ANGLES	DRAWN	FEB27/07			
.XX ±.10	± 1°	S.SEMENOV		RJ RECEPTACLE		
X ±.25		DESIGNED	FEB27/07			
MATERIAL AND FINISH		CHECKED		C	P-ID450-000	1C
REF.		QA APP'D		SCALE	PROJECT	SHEET
CODE IDENT. NO.		IE APP'D		2:1	ID	1 OF 2
		DWG APP'D	FEB27/07			
		A.GREEN				

DO NOT SCALE DRAWING
THIS DOCUMENT CONTAINS PROPRIETARY INFORMATION AND SUCH INFORMATION MAY NOT BE DISCLOSED TO OTHERS FOR ANY PURPOSE OR USED FOR MANUFACTURING PURPOSES WITHOUT PERMISSION FROM AMPHENOL CANADA CORP.

REV - DESCRIPT - DATE - APPRVD



CONNECTOR WITH COVER OPENED



PANEL CUTOUT



UNLESS OTHERWISE SPECIFIED DIMENSIONS ARE IN MILLIMETER TOLERANCES ARE:		APPROVALS	DATE	Amphenol Canada Corp.		
DECIMALS	ANGLES	DRAWN	FEB27/07			
.XX ±.10	± 1°	S.SEMENOV		TITLE		
.X ±.25		DESIGNED	FEB27/07			
MATERIAL AND FINISH		CHECKED		RJ RECEPTACLE		
REF.		QA APP'D				
CODE IDENT. NO.		IE APP'D		SIZE	DWG. NO.	REV.
		DWG APP'D	FEB27/07	C	P-ID450-000	1C
		A.GREEN		SCALE	PROJECT	SHEET
				2:1	ID	2 OF 2

DO NOT SCALE DRAWING
 THIS DOCUMENT CONTAINS PROPRIETARY INFORMATION AND SUCH INFORMATION MAY NOT BE DISCLOSED TO OTHERS FOR ANY PURPOSE
 OR USED FOR MANUFACTURING PURPOSES WITHOUT PERMISSION FROM AMPHENOL CANADA CORP.