



Chipsmall Limited consists of a professional team with an average of over 10 year of expertise in the distribution of electronic components. Based in Hongkong, we have already established firm and mutual-benefit business relationships with customers from,Europe,America and south Asia,supplying obsolete and hard-to-find components to meet their specific needs.

With the principle of “Quality Parts,Customers Priority,Honest Operation,and Considerate Service”,our business mainly focus on the distribution of electronic components. Line cards we deal with include Microchip,ALPS,ROHM,Xilinx,Pulse,ON,Everlight and Freescale. Main products comprise IC,Modules,Potentiometer,IC Socket,Relay,Connector.Our parts cover such applications as commercial,industrial, and automotives areas.

We are looking forward to setting up business relationship with you and hope to provide you with the best service and solution. Let us make a better world for our industry!



## Contact us

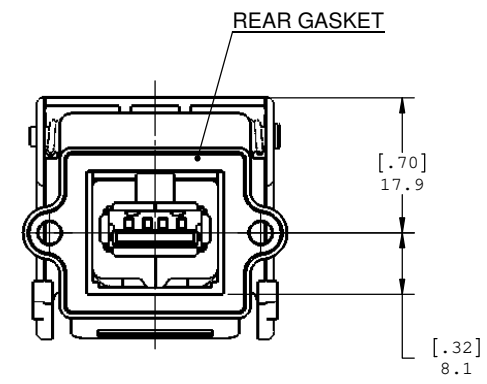
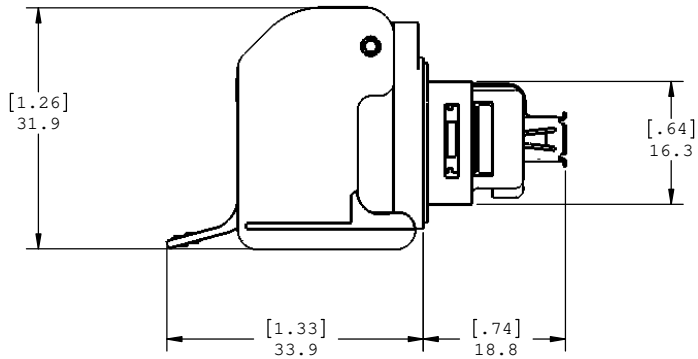
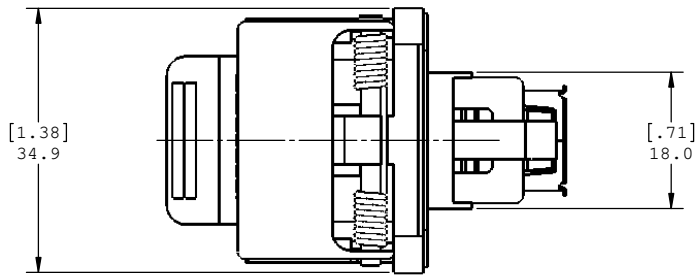
Tel: +86-755-8981 8866 Fax: +86-755-8427 6832

Email & Skype: info@chipsmall.com Web: www.chipsmall.com

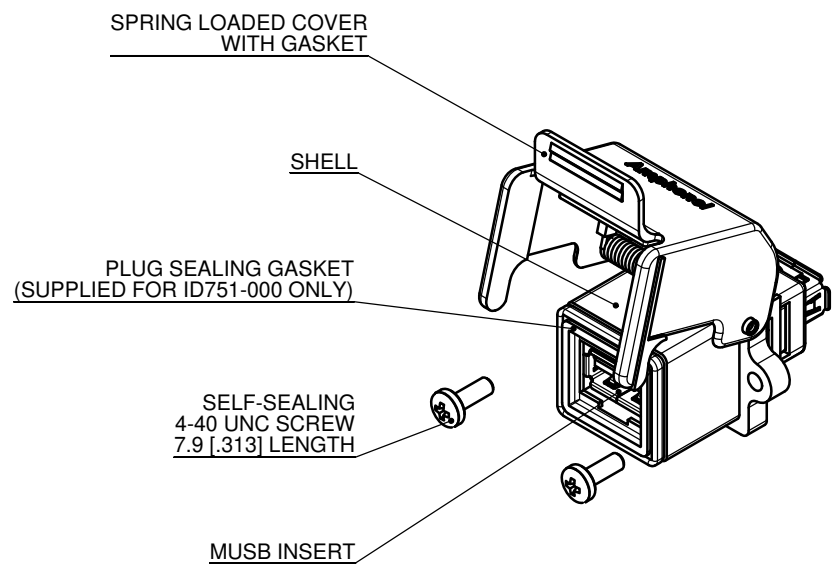
Address: A1208, Overseas Decoration Building, #122 Zhenhua RD., Futian, Shenzhen, China



REV	DESCRIPT	DATE	APPRVD



**CONNECTOR WITH COVER CLOSED**



**NOTES:**

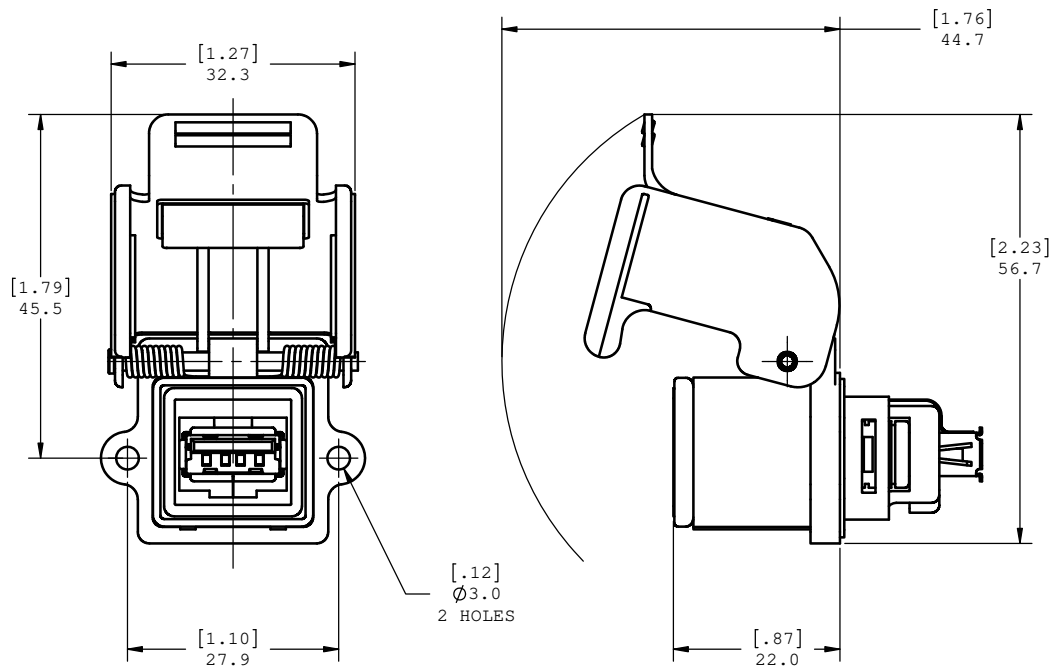
- MATERIAL:**
  - SHELL: ZINC ALLOY DIE CAST, 3 MICRONS [120 μm] MIN NICKEL OVERALL.
  - COVER: ZINC ALLOY DIE CAST, 3 MICRONS [120 μm] MIN NICKEL OVERALL.
  - SCREWS: STAINLESS STEEL.
  - HOUSING: HIGH TEMPERATURE THERMOPLASTIC, GLASS FILLED. FLAMMABILITY RATING UL94V-0, COLOR - BLACK.
  - CONTACTS: COPPER ALLOY.
  - GASKETS: SILICONE RUBBER.
- OPERATING TEMPERATURE: -40°C TO +85°C.
- ENVIRONMENT PERFORMANCE: IP67.
- CONNECTOR IS ROHS COMPLIANT PER EU DIRECTIVE 2002/95/EC AND AMENDMENTS.
- PART NUMBER FOR ORDER IS ID451-000.



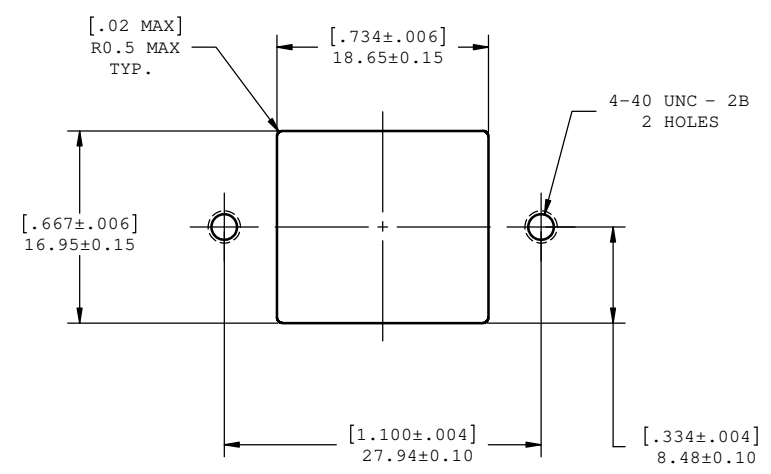
UNLESS OTHERWISE SPECIFIED DIMENSIONS ARE IN MILLIMETER TOLERANCES ARE:		APPROVALS	DATE	<b>Amphenol Canada Corp.</b>		
		DRAWN S.SEMENOV	FEB27/07			
DECIMALS .XX ±.10 .X ±.25		DESIGNED S.SEMENOV	FEB27/07	TITLE <b>USB RECEPTACLE</b>		
ANGLES ± 1°		CHECKED				
MATERIAL AND FINISH		QA APP'D		SIZE C	DWG. NO. P-ID451-000	REV. 1C
REF.		IE APP'D		SCALE 2:1		PROJECT ID
CODE IDENT. NO.		DWG APP'D A.GREEN	FEB27/07	SHEET 1 OF 2		

DO NOT SCALE DRAWING  
THIS DOCUMENT CONTAINS PROPRIETARY INFORMATION AND SUCH INFORMATION MAY NOT BE DISCLOSED TO OTHERS FOR ANY PURPOSE OR USED FOR MANUFACTURING PURPOSES WITHOUT PERMISSION FROM AMPHENOL CANADA CORP.

REV	DESCRIP	DATE	APPRVD



CONNECTOR WITH COVER OPENED



PANEL CUTOUT



UNLESS OTHERWISE SPECIFIED DIMENSIONS ARE IN MILLIMETER TOLERANCES ARE:		APPROVALS	DATE	<b>Amphenol Canada Corp.</b>	
DECIMALS	ANGLES	DRAWN	FEB27/07		
.XX ±.10	± 1°	S.SEMENOV		TITLE <b>USB RECEPTACLE</b>	
.X ±.25		DESIGNED	FEB27/07		
MATERIAL AND FINISH		CHECKED		SIZE	DWG. NO.
		QA APP'D		C	P-ID451-000
REF.		IE APP'D		SCALE	PROJECT ID
CODE IDENT. NO.		DWG APP'D	FEB27/07	2:1	SHEET
		A.GREEN			2 OF 2

DO NOT SCALE DRAWING  
 THIS DOCUMENT CONTAINS PROPRIETARY INFORMATION AND SUCH INFORMATION MAY NOT BE DISCLOSED TO OTHERS FOR ANY PURPOSE  
 OR USED FOR MANUFACTURING PURPOSES WITHOUT PERMISSION FROM AMPHENOL CANADA CORP.