



Chipsmall Limited consists of a professional team with an average of over 10 year of expertise in the distribution of electronic components. Based in Hongkong, we have already established firm and mutual-benefit business relationships with customers from,Europe,America and south Asia,supplying obsolete and hard-to-find components to meet their specific needs.

With the principle of “Quality Parts,Customers Priority,Honest Operation,and Considerate Service”,our business mainly focus on the distribution of electronic components. Line cards we deal with include Microchip,ALPS,ROHM,Xilinx,Pulse,ON,Everlight and Freescale. Main products comprise IC,Modules,Potentiometer,IC Socket,Relay,Connector.Our parts cover such applications as commercial,industrial, and automotives areas.

We are looking forward to setting up business relationship with you and hope to provide you with the best service and solution. Let us make a better world for our industry!



Contact us

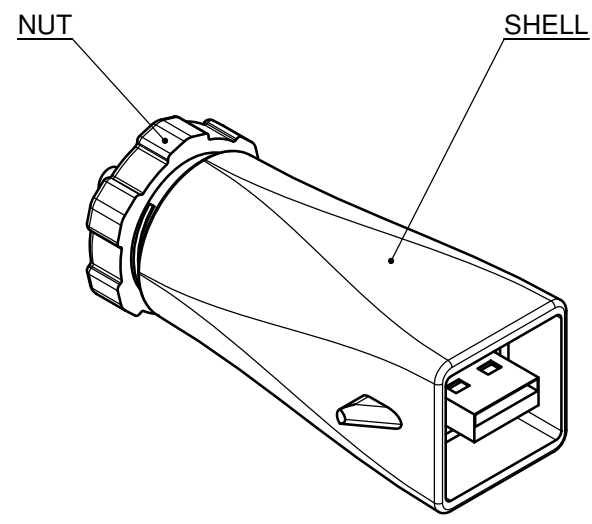
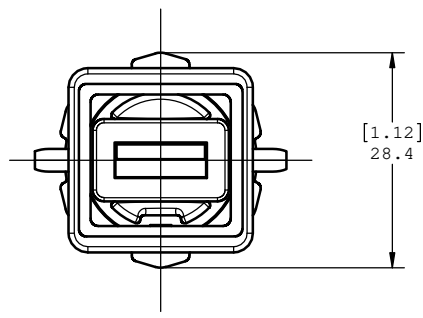
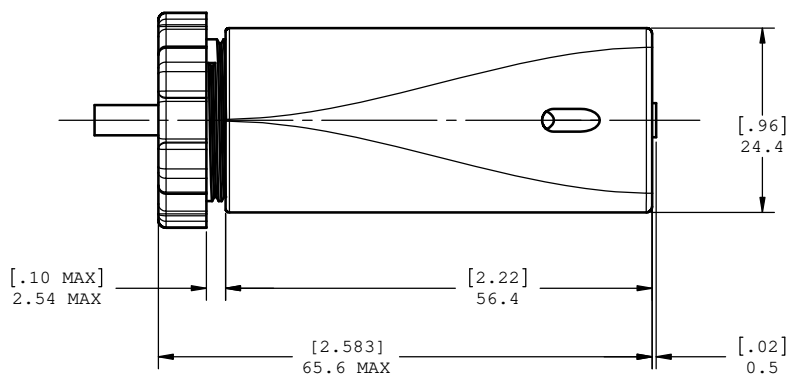
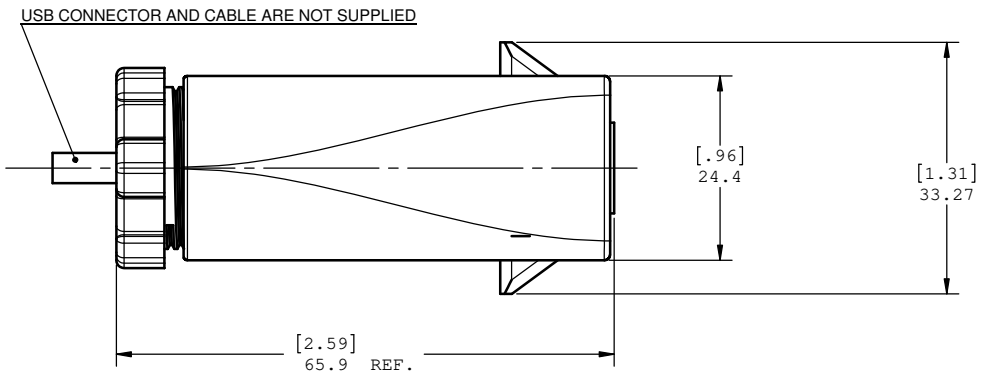
Tel: +86-755-8981 8866 Fax: +86-755-8427 6832

Email & Skype: info@chipsmall.com Web: www.chipsmall.com

Address: A1208, Overseas Decoration Building, #122 Zhenhua RD., Futian, Shenzhen, China



REV - DESCRIPT - DATE - APPRVD



NOTES:

- MATERIAL:
 - SHELL: ZINC ALLOY DIE CAST, 3 MICRONS [120 MICRO"] MIN NICKEL OVERALL.
 - NUT: ZINC ALLOY DIE CAST, 3 MICRONS [120 MICRO"] MIN NICKEL OVERALL.
 - GASKETS: SILICONE RUBBER.
- OPERATING TEMPERATURE: -40°C TO +105°C.
- ENVIROMENT PERFORMANCE: IP67.
- CONNECTOR IS ROHS COMPLIANT PER EU DIRECTIVE 2002/95/EC AND AMENDMENTS.
- PART NUMBER FOR ORDER IS ID651-000.



UNLESS OTHERWISE SPECIFIED DIMENSIONS ARE IN MILLIMETER TOLERANCES ARE:		APPROVALS	DATE	Amphenol Canada Corp.		
DECIMALS .XX ±.10 .X ±.25		DRAWN S.SEMENOV	FEB22/07			
ANGLES ± 1°		DESIGNED S.SEMENOV	FEB22/07	TITLE USB PLUG		
MATERIAL AND FINISH		CHECKED				
REF.		QA APP'D		SIZE C	DWG. NO. P-ID651-000	REV. 2B
CODE IDENT. NO.		DWG APP'D A.GREEN	FEB22/07	SCALE 2:1	PROJECT ID	SHEET 1 OF 1

DO NOT SCALE DRAWING
THIS DOCUMENT CONTAINS PROPRIETARY INFORMATION AND SUCH INFORMATION MAY NOT BE DISCLOSED TO OTHERS FOR ANY PURPOSE OR USED FOR MANUFACTURING PURPOSES WITHOUT PERMISSION FROM AMPHENOL CANADA CORP.