



Chipsmall Limited consists of a professional team with an average of over 10 year of expertise in the distribution of electronic components. Based in Hongkong, we have already established firm and mutual-benefit business relationships with customers from,Europe,America and south Asia,supplying obsolete and hard-to-find components to meet their specific needs.

With the principle of “Quality Parts,Customers Priority,Honest Operation,and Considerate Service”,our business mainly focus on the distribution of electronic components. Line cards we deal with include Microchip,ALPS,ROHM,Xilinx,Pulse,ON,Everlight and Freescale. Main products comprise IC,Modules,Potentiometer,IC Socket,Relay,Connector.Our parts cover such applications as commercial,industrial, and automotives areas.

We are looking forward to setting up business relationship with you and hope to provide you with the best service and solution. Let us make a better world for our industry!



Contact us

Tel: +86-755-8981 8866 Fax: +86-755-8427 6832

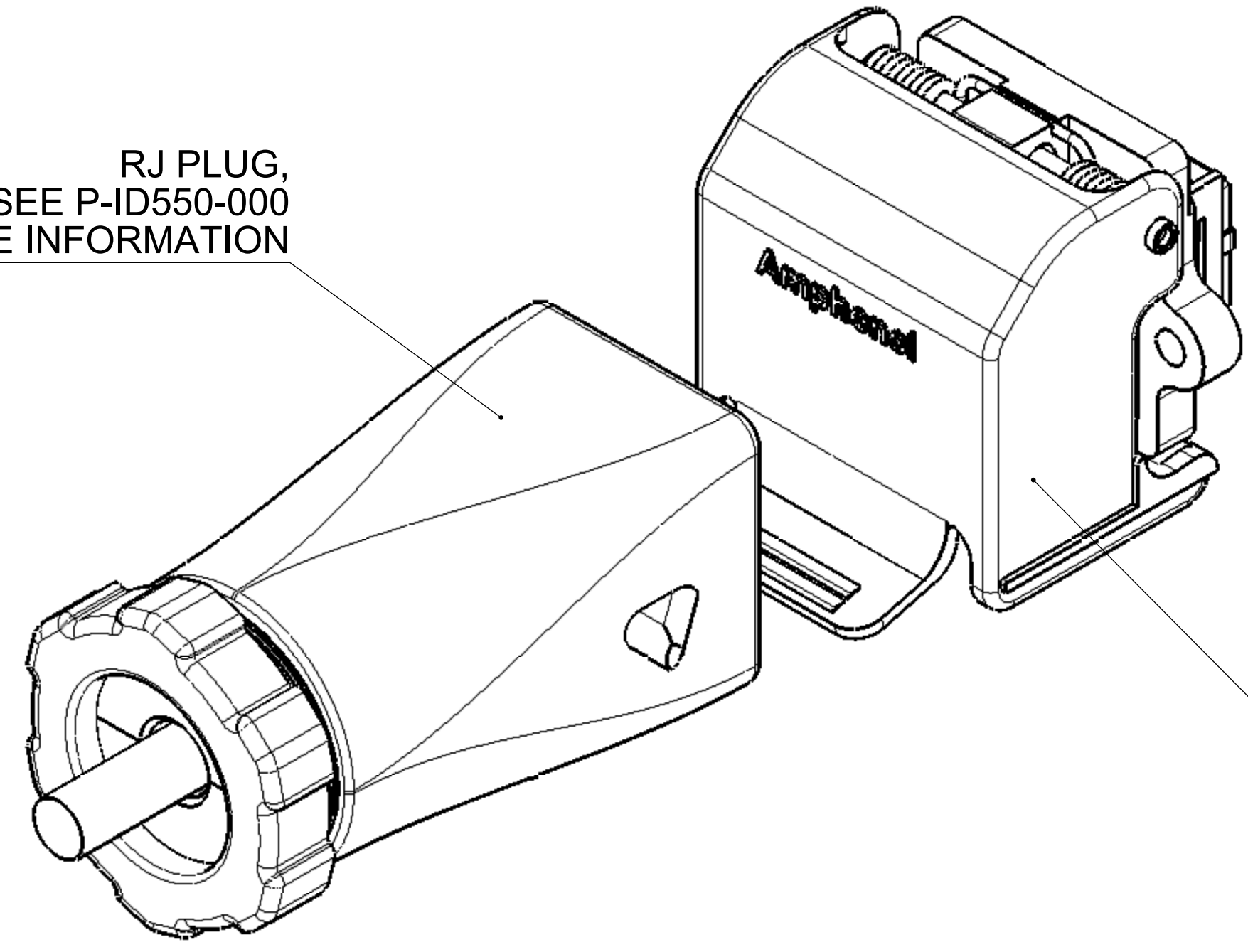
Email & Skype: info@chipsmall.com Web: www.chipsmall.com

Address: A1208, Overseas Decoration Building, #122 Zhenhua RD., Futian, Shenzhen, China



REV	DESCRIPT	DATE	APPRVD

RJ PLUG,
SEE P-ID550-000
FOR MORE INFORMATION



RJ RECEPTACLE,
SEE P-ID450-000
FOR MORE INFORMATION

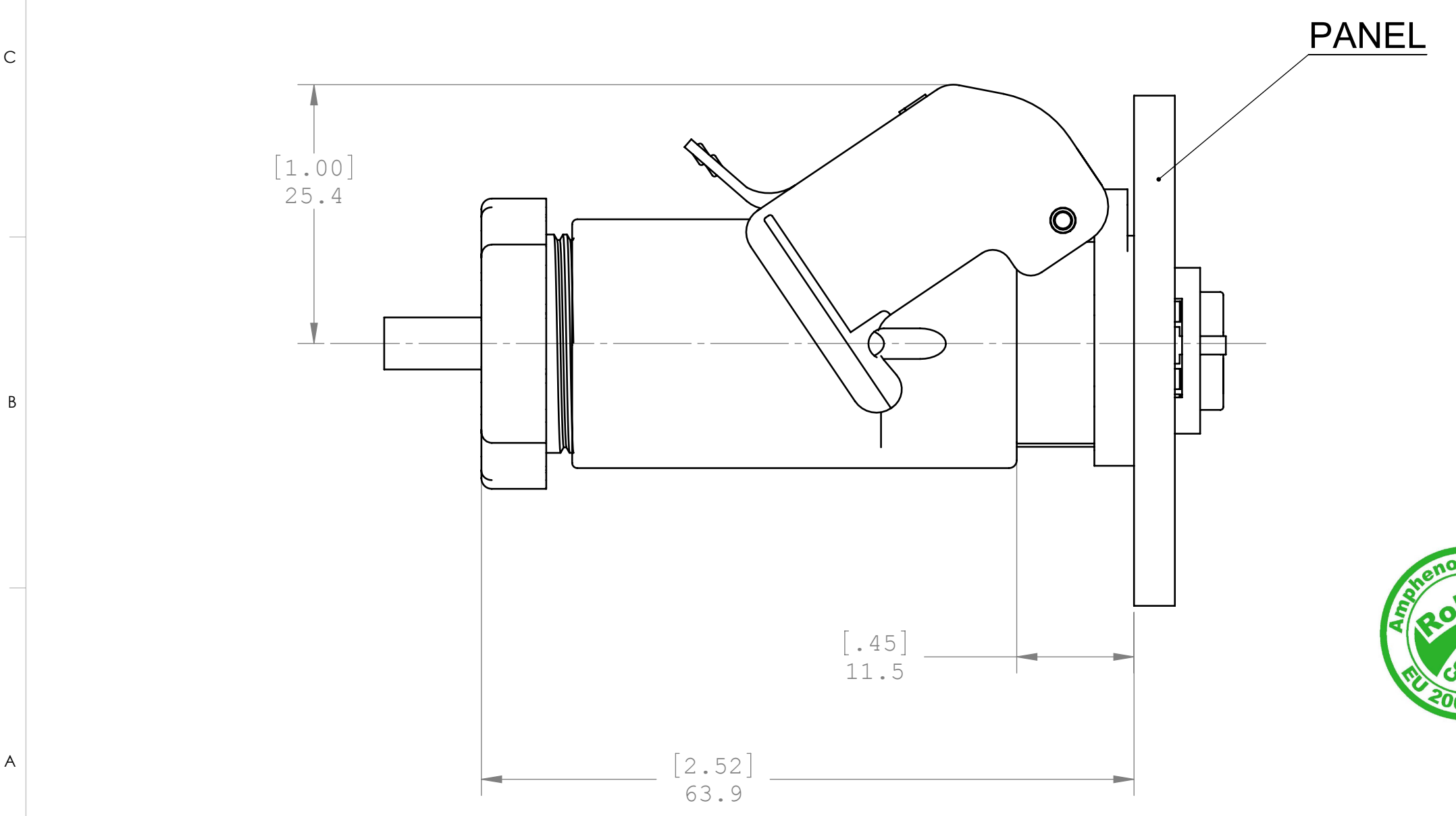
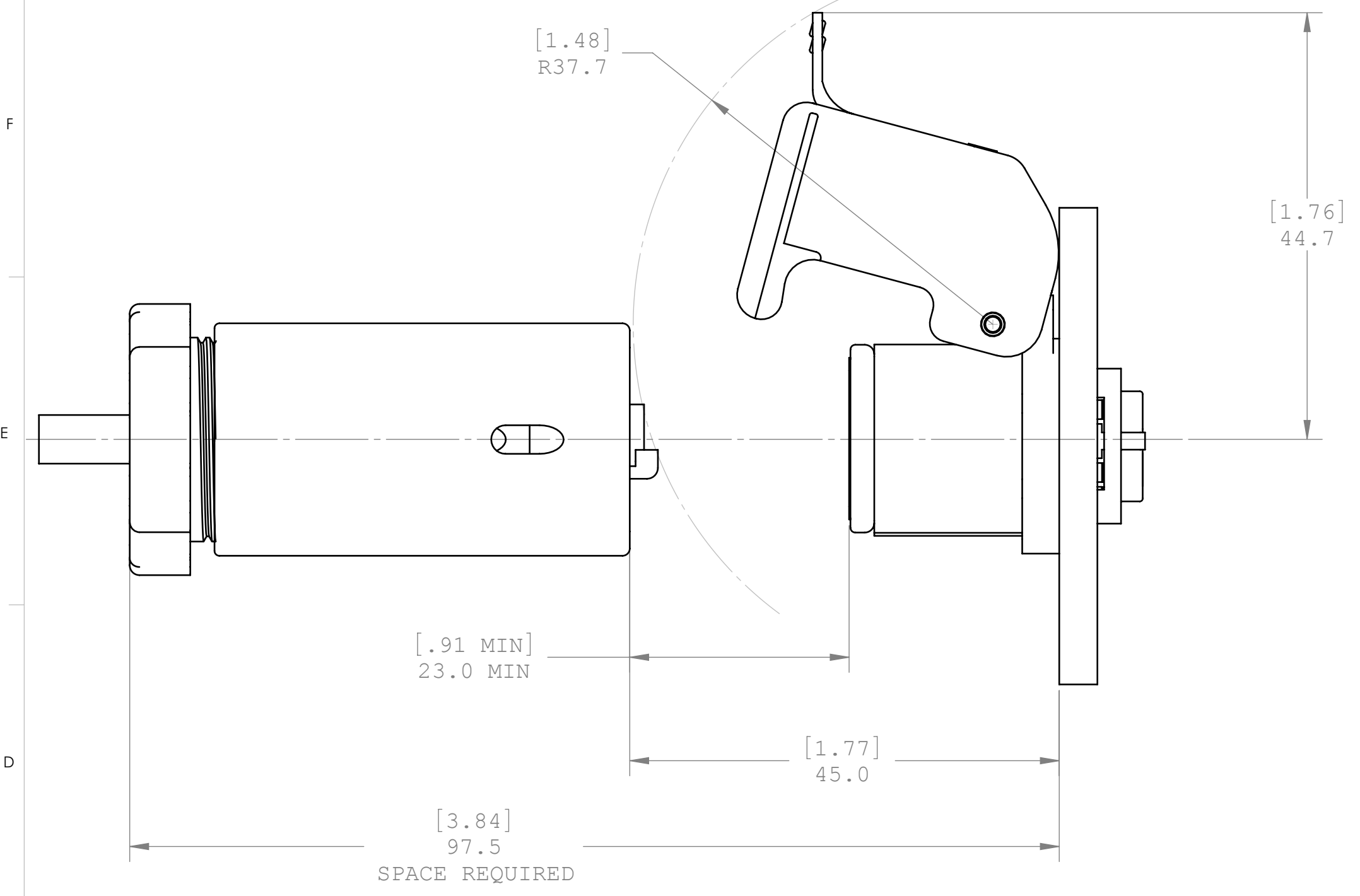
NOTES:

1. OPERATING TEMPERATURE: -40°C TO +85°C.
2. ENVIROMENT PERFORMANCE: IP67.
3. CONNECTOR IS ROHS COMPLIANT PER EU DIRECTIVE 2002/95/EC AND AMENDMENTS.
4. CONNECTOR IS ETHERNET CAT5 TEST COMPLIANT PER TIA/EIA 568B - ISO/IEC 11801 STANDARD.
5. PART NUMBER FOR ORDER IS ID750-000.



UNLESS OTHERWISE SPECIFIED DIMENSIONS ARE IN MILLIMETER TOLERANCES ARE:		APPROVALS	DATE	Amphenol Canada Corp.	
DECIMALS	ANGLES	DRAWN	FEB15/07		
.XX ± .10	± 1°	S.SEMENOV		TITLE RJ RECEPTACLE AND PLUG	
.X ± .25		DESIGNED	FEB15/07		
MATERIAL AND FINISH		S.SEMENOV			
		CHECKED			
		QA APP'D		SIZE	DWG. NO.
REF.		IE APP'D		C	P-ID750-000
		DWG APP'D	FEB15/07	SCALE	PROJECT
CODE IDENT. NO.		A.GREEN		2.5:1	ID
					REV.
					A
					SHEET
					1 OF 2

DO NOT SCALE DRAWING
THIS DOCUMENT CONTAINS PROPRIETARY INFORMATION AND SUCH INFORMATION MAY NOT BE DISCLOSED TO OTHERS FOR ANY PURPOSE OR USED FOR MANUFACTURING PURPOSES WITHOUT PERMISSION FROM AMPHENOL CANADA CORP.



UNLESS OTHERWISE SPECIFIED DIMENSIONS ARE IN MILLIMETER TOLERANCES ARE:		APPROVALS	DATE	Amphenol Canada Corp.	
DECIMALS	ANGLES	DRAWN	FEB15/07		
.XX ± .10	± 1°	S.SEMENOV		TITLE RJ RECEPTACLE AND PLUG	
.X ± .25		DESIGNED	FEB15/07		
MATERIAL AND FINISH		CHECKED		SIZE	DWG. NO.
		QA APP'D		C	P-ID750-000
REF.		IE APP'D		SCALE	REV.
CODE IDENT. NO.		DWG APP'D	FEB15/07	2:1	A
		A.GREEN		PROJECT ID	SHEET 2 OF 2

DO NOT SCALE DRAWING
 THIS DOCUMENT CONTAINS PROPRIETARY INFORMATION AND SUCH INFORMATION MAY NOT BE DISCLOSED TO OTHERS FOR ANY PURPOSE OR USED FOR MANUFACTURING PURPOSES WITHOUT PERMISSION FROM AMPHENOL CANADA CORP.