



Chipsmall Limited consists of a professional team with an average of over 10 year of expertise in the distribution of electronic components. Based in Hongkong, we have already established firm and mutual-benefit business relationships with customers from,Europe,America and south Asia,supplying obsolete and hard-to-find components to meet their specific needs.

With the principle of “Quality Parts,Customers Priority,Honest Operation,and Considerate Service”,our business mainly focus on the distribution of electronic components. Line cards we deal with include Microchip,ALPS,ROHM,Xilinx,Pulse,ON,Everlight and Freescale. Main products comprise IC,Modules,Potentiometer,IC Socket,Relay,Connector.Our parts cover such applications as commercial,industrial, and automotives areas.

We are looking forward to setting up business relationship with you and hope to provide you with the best service and solution. Let us make a better world for our industry!



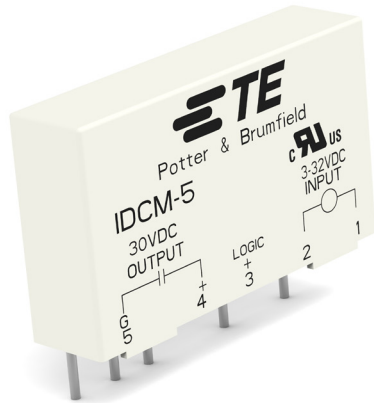
Contact us

Tel: +86-755-8981 8866 Fax: +86-755-8427 6832

Email & Skype: info@chipsmall.com Web: www.chipsmall.com

Address: A1208, Overseas Decoration Building, #122 Zhenhua RD., Futian, Shenzhen, China





IDCM Series

Slim Line DC Input Module

UL File E29244

Users should thoroughly review the technical data before selecting a product part number. It is recommended that users also seek out the pertinent approvals files of the agencies/laboratories and review them to ensure the product meets the requirements for a given application.

Features

- Slim line .4" (10.16mm) thick package.
- Foot print same as .6" (15.24mm) thick package.
- 4000V rms optical isolation.
- Color coded by function.
- High immunity to false operation.
- Series compatible.
- Compatible with 2IOM series mounting boards.

Engineering Data

- Switch Form:** 1 Form A (SPST-NO)
Duty: Continuous.
Operating Temperature: -30°C to +80°C.
Storage Temperature: -30°C to 100°C.
Potting Compound Flammability: UL94V-0.
Solderability: 260°C for 5 seconds, maximum.
Approximate Weight: .87 oz. (22.1g).

Ordering Information

Typical Part Number >	IDCM	-5	A
1. Basic Series: IDCM = Slim line DC input module — white case			
2. Logic Voltage: 5 = 5VDC 15 = 15VDC 24 = 24VDC			
3. Input: Blank = 3.3-32VDC input ** A = 10-60VDC input ** F = 4-32VDC input & fast turn-on & turn-off times **			

** Is not polarity sensitive.

Our authorized distributors are more likely to maintain the following items in stock for immediate delivery.

IDCM-5

IDCM Series(Continued)

DC Input Modules

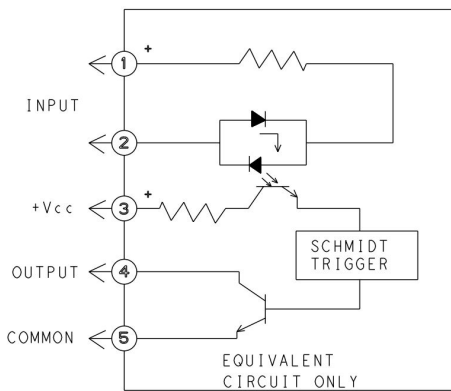
Input Specifications

Parameter	Conditions	Units	IDCM-5			IDCM-5A			IDCM-5F		
			IDCM-15	IDCM-24		IDCM-15A	IDCM-24A		IDCM-15F	IDCM-24F	
			Min.	Typ.	Max.	Min.	Typ.	Max.	Min.	Typ.	Max.
Control Voltage Range V_{IN}		VDC	3	24	32	10	30	60	4	24	32
Must Operate Voltage $V_{IN(OP)}$		VDC			3			10			4
Must Release Voltage $V_{IN(REL)}$		VDC	1			1			1		
Max. Input Current	@ $V_{IN} = \text{Max.}$	mA		0.1 - 10			0.1 - 10			0.1 - 10	
Input Resistance		Ohms		3200			6000			3200	

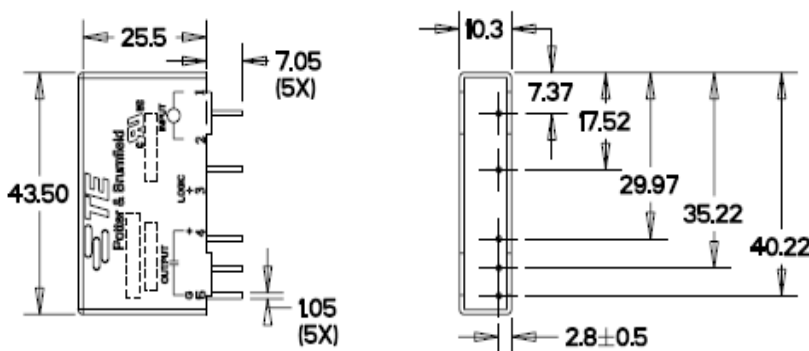
Output Specifications (@ +25°C unless otherwise specified)

Parameter	Conditions	Units	IDCM-5			IDCM-15			IDCM-24		
			IDCM-5A	IDCM-5F		IDCM-15A	IDCM-15F		IDCM-24A	IDCM-24F	
			Min.	Typ.	Max.	Min.	Typ.	Max.	Min.	Typ.	Max.
Maximum Output Voltage		VDC			30			30			30
Maximum Output Current I_{SINK}		mADC			50			50			50
Maximum Output Leakage Current	$V_{OUT} = \text{Max.}$	μADC			10			10			10
Maximum Output Voltage Drop	$I_{SINK} = 50\text{mA}$	VDC			0.2			0.2			0.2
Logic Supply Voltage V_{CC}		VDC	3	5	6		15			24	
Maximum Logic Supply Current	$V_{CC} = \text{Max.}$	mADC			15		15			15	
Turn-On Time (Nominal)	$I_{SINK} = 25\text{mA}$	ms		1			1			1	
Turn-Off Time (Nominal)	$I_{SINK} = 25\text{mA}$	ms		1			1			1	
Output Type (Open Collector)			Normally Open (SINKING)			Normally Open (SINKING)			Normally Open (SINKING)		

IDCM Operating Diagram



Outline Dimensions



DIMENSION IN mm