



Chipsmall Limited consists of a professional team with an average of over 10 year of expertise in the distribution of electronic components. Based in Hongkong, we have already established firm and mutual-benefit business relationships with customers from,Europe,America and south Asia,supplying obsolete and hard-to-find components to meet their specific needs.

With the principle of "Quality Parts,Customers Priority,Honest Operation,and Considerate Service",our business mainly focus on the distribution of electronic components. Line cards we deal with include Microchip,ALPS,ROHM,Xilinx,Pulse,ON,Everlight and Freescale. Main products comprise IC,Modules,Potentiometer,IC Socket,Relay,Connector.Our parts cover such applications as commercial,industrial, and automotives areas.

We are looking forward to setting up business relationship with you and hope to provide you with the best service and solution. Let us make a better world for our industry!



## Contact us

Tel: +86-755-8981 8866 Fax: +86-755-8427 6832

Email & Skype: info@chipsmall.com Web: www.chipsmall.com

Address: A1208, Overseas Decoration Building, #122 Zhenhua RD., Futian, Shenzhen, China



69Z1Z0PS  
 ( 'ON 0NIMVHO ) 台 裝 理 図

版 数 REV.	年 月 日 DATE	DCN NO.	変 更 内 容 DESCRIPTION	製 図 DR.	担 当 CHK.	査 閲 APPD.	承 認 APPD.
7	19.Nov.2004	056307	REDRAWN	H.SAKURADA	N.UCHIYAMA	Y.YAHIRO	K.Hirotomi

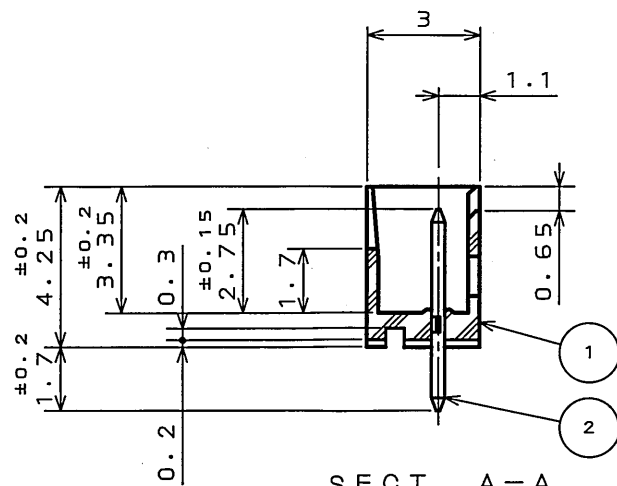
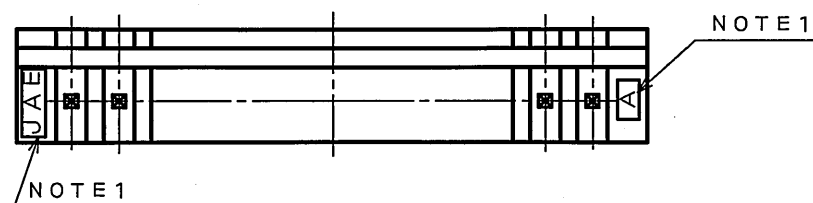
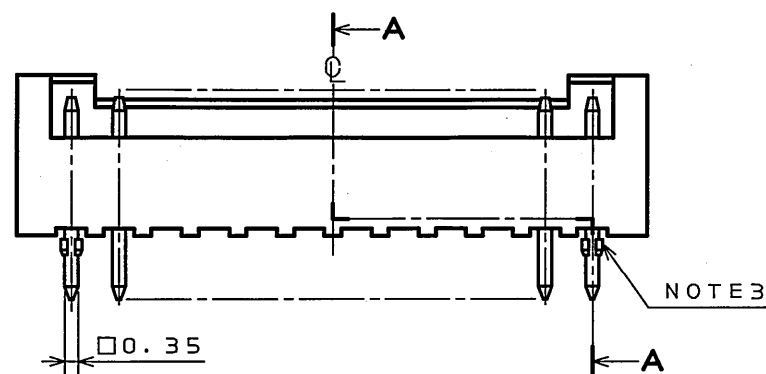
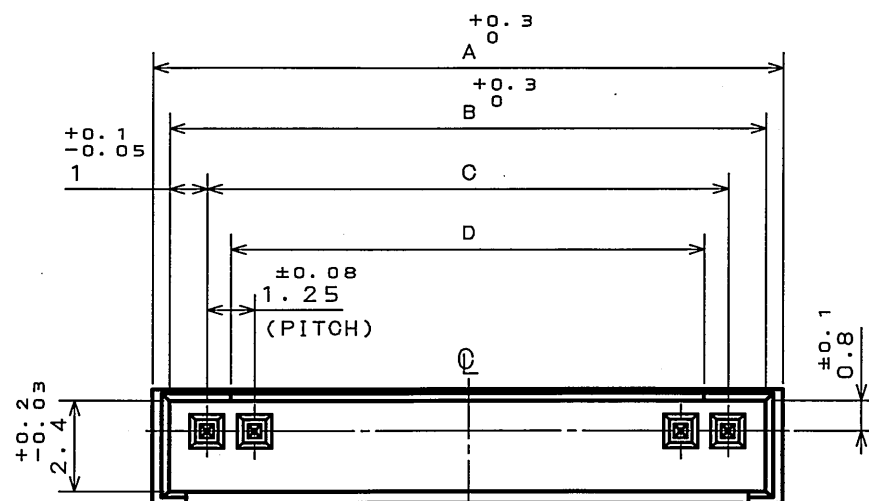


TABLE 1

CONTACTS 芯数	A +0.3	B +0.3	C ±0.15	D ±0.25
2	4.15	3.25	1.25	1.7
3	5.4	4.5	2.5	1.7
4	6.65	5.75	3.75	2.5
5	7.9	7	5	3.75
6	9.15	8.25	6.25	5
7	10.4	9.5	7.5	6.25
8	11.65	10.75	8.75	7.5
9	12.9	12	10	8.75
10	14.15	13.25	11.25	10
11	15.4	14.5	12.5	11.25
12	16.65	15.75	13.75	12.5
13	17.9	17	15	13.75
14	19.15	18.25	16.25	15
15	20.4	19.5	17.5	16.25

DESIGNATION

命名法

SERIES シリーズ名	IL-Z-*P-S125T3-E	DIP:1.7 DIP側長さ1.7mm
NUMBER OF CONTACTS 芯数		APPLICABLE P.C.B. THICKNESS 適当基板厚さ(0.6mm~1.2mm)
CONTACT TYPE P:PINCONTACT コンタクト区分 P:ピンコンタクト		TERMINATION 結線方式(STRAIGHT THROUGH HOLE)
CONTACT ARRANGEMENT 配列(SINGLE)		PITCH 1.25 ピッチ(1.25mm)

NOTE1. COMPANY LOGO "JAE" AND TOOLING MARK APPEARS IN RELIEF.  
 NOTE2. APPLICABLE P.C.B. HOLE DIAMETER IS  $\phi 0.6 \pm 0.03$ .  
 NOTE3. TWO TERMINALS AT EACH ENDS ARE KINKED.

注 1. 社標及び金型マークを沈み彫り浮き出しとする。  
 2. 適用基板穴径は  $\phi 0.6 \pm 0.03$  が望ましい。  
 3. フォーミングは両端2ヶ所に設けること。

2	CONTACT	TABLE1	BRASS	TIN PLATING	
1	INSULATOR	1	6-6Ny		COLOR:RIGHT BROWN
符号 NO.	名 称 DESCRIPTION	個 数 QTY.	材 料 MATERIAL	仕 上 FINISH	備 考 REMARKS
仕様書(SPECIFICATION)		第1版(ORIGINAL DATE) 19.Feb.1987		尺 度(SCALE) 5:1	シ リ ー ス(SERIES) IL-Z
公差(GENERAL TOLERANCE)		製 図 DR. E.MURANO		名称(TITLE) IL-Z-*P-S125T3-E STRAIGHT PINHEADER	
寸法(DIMENSION)		担 当 CHK. H.ENDO			
角度(ANGLES)		査 閲 APPD. T.SUZUKI			
. ±0.3 X° ±		承 認 APPD. Y.ICHIMURA			
.X ±0.2 X°X'±				質量(MASS)	
.XX ±0.1				日本航空電子工業株式会社 JAPAN AVIATION ELECTRONICS INDUSTRY, LTD.	
.XXX ±				図面番号(DRAWING NO.) SJ021769	

DOF-0-212E(03.08)



AV  
SIZ  
ES

版数  
(REV.)

7