



Chipsmall Limited consists of a professional team with an average of over 10 year of expertise in the distribution of electronic components. Based in Hongkong, we have already established firm and mutual-benefit business relationships with customers from,Europe,America and south Asia,supplying obsolete and hard-to-find components to meet their specific needs.

With the principle of "Quality Parts,Customers Priority,Honest Operation,and Considerate Service",our business mainly focus on the distribution of electronic components. Line cards we deal with include Microchip,ALPS,ROHM,Xilinx,Pulse,ON,Everlight and Freescale. Main products comprise IC,Modules,Potentiometer,IC Socket,Relay,Connector.Our parts cover such applications as commercial,industrial, and automotives areas.

We are looking forward to setting up business relationship with you and hope to provide you with the best service and solution. Let us make a better world for our industry!



## Contact us

Tel: +86-755-8981 8866 Fax: +86-755-8427 6832

Email & Skype: info@chipsmall.com Web: www.chipsmall.com

Address: A1208, Overseas Decoration Building, #122 Zhenhua RD., Futian, Shenzhen, China





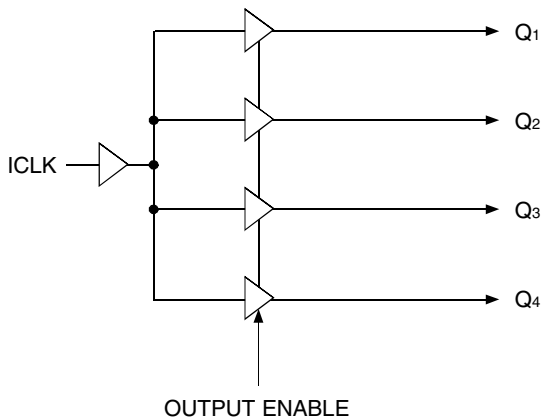
### FEATURES:

- Advanced, low power CMOS process
- 5V tolerant inputs
- Low skew outputs (<250ps)
- Input/Output frequency up to 160MHz
- Non-inverting output clock
- Ideal for networking clocks
- Operating voltage of 3V
- Output enable mode tri-states outputs
- Lead-free packaging available
- Available in SOIC package

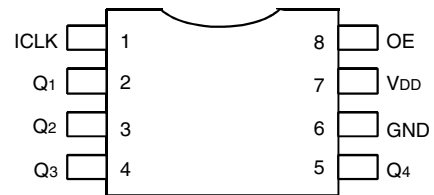
### DESCRIPTION:

The 5V551 clock driver is built using advanced CMOS technology. This low skew clock driver offers 1:4 fanout. The fanout from a single input reduces loading on the preceding driver and provides an efficient clock distribution network. The 5V551 offers low capacitance inputs. Typical applications are clock and signal distribution.

### FUNCTIONAL BLOCK DIAGRAM



### PIN CONFIGURATION



SOIC  
TOP VIEW

## ABSOLUTE MAXIMUM RATINGS<sup>(1)</sup>

Symbol	Description	Max.	Unit
V <sub>DD</sub>	Supply Voltage	-0.5 to +4.6	V
V <sub>TERM</sub>	All Inputs	-0.5 to +7	V
	All Outputs	-0.5 to V <sub>DD</sub> + 0.5	
T <sub>A</sub>	Ambient Operating Temp	-40 to +85	°C
T <sub>STG</sub>	Storage Temperature	-65 to +150	°C
T <sub>J</sub>	Junction Temperature	150	°C
T <sub>SOLDER</sub>	Soldering Temperature	260	°C

### NOTE:

- Stresses greater than those listed under ABSOLUTE MAXIMUM RATINGS may cause permanent damage to the device. This is a stress rating only and functional operation of the device at these or any other conditions above those indicated in the operational sections of this specification is not implied. Exposure to absolute maximum rating conditions for extended periods may affect reliability.

## PIN DESCRIPTION

Name	Type	Description
ICLK	Input	Clock Input, internal pull-up resistor
Q <sub>n</sub>	Output	Clock Outputs
GND	PWR	Connect to Ground
V <sub>DD</sub>	PWR	Connect to 3.3V
OE	Input	Output Enable. Tri-states outputs when LOW. Internal pull-up resistor.

## EXTERNAL COMPONENTS

A minimum number of external components are required for proper operation. A decoupling capacitor of 0.01 μF should be connected between V<sub>DD</sub> on pin 7 and GND on pin 6, as close to the device as possible. A 33 Ω series terminating resistor may be used on each clock output if the trace is longer than one inch.

## RECOMMENDED OPERATING RANGE

Symbol	Description	Min.	Typ.	Max.	Unit
T <sub>A</sub>	Ambient Operating Temperature	-40	—	+85	°C
V <sub>DD</sub>	Power Supply Voltage (measured in respect to GND)	3	—	3.6	V

## DC ELECTRICAL CHARACTERISTICS OVER OPERATING RANGE

Following Conditions Apply Unless Otherwise Specified

T<sub>A</sub> = -40°C to +85°C, V<sub>DD</sub> = 3.3V ± 5%

Symbol	Parameter	Test Conditions	Min.	Typ.	Max.	Unit
V <sub>DD</sub>	Operating Voltage		3.15	—	3.45	V
V <sub>IH</sub>	Input HIGH Voltage, ICLK <sup>(1)</sup>		V <sub>DD</sub> /2 + 0.7	—	—	V
V <sub>IL</sub>	Input LOW Voltage, ICLK <sup>(1)</sup>		—	—	V <sub>DD</sub> /2 - 0.7	V
V <sub>IH</sub>	Input HIGH Voltage, OE		2	—	—	V
V <sub>IL</sub>	Input LOW Voltage, OE		—	—	0.8	V
V <sub>OH</sub>	Output HIGH Voltage	I <sub>OH</sub> = -25mA	2.4	—	—	V
V <sub>OL</sub>	Output LOW Voltage	I <sub>OL</sub> = 25mA	—	—	0.4	V
V <sub>OH</sub>	Output HIGH Voltage (CMOS)	I <sub>OH</sub> = -12mA	V <sub>DD</sub> - 0.4	—	—	V
I <sub>DD</sub>	Operating Supply Current	No Load, 135MHz	—	18	—	mA
Z <sub>o</sub>	Nominal Output Impedance		—	20	—	Ω
R <sub>PU</sub>	Internal Pull-Up Resistor	ICLK, OEx = 0V	—	350	—	kΩ
C <sub>IN</sub>	Input Capacitance	OE Pin	—	5	—	pF
		ICLK	—	3	—	
I <sub>OS</sub>	Short Circuit Current		—	±90	—	mA

### NOTE:

- Nominal switching threshold is V<sub>DD</sub>/2.

## AC ELECTRICAL CHARACTERISTICS OVER OPERATING RANGE

Following Conditions Apply Unless Otherwise Specified

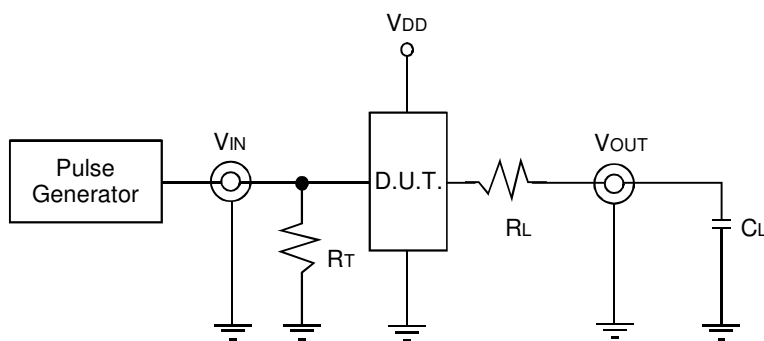
$T_A = -40^\circ\text{C}$  to  $+85^\circ\text{C}$ ,  $V_{DD} = 3.3\text{V} \pm 5\%$

Symbol	Parameter	Test Conditions	Min.	Typ.	Max.	Unit
$F_{IN}$	Input Frequency		0	—	160	MHz
$F_{OUT}$	Output Frequency <sup>(1)</sup>	15pF load	—	—	160	MHz
$t_{OR}$	Output Clock Rise Time	0.8V to 2V	—	—	1.5	ns
$t_{OF}$	Output Clock Fall Time	2V to 0.8V	—	—	1.5	ns
$t_{PD}$	Propagation Delay <sup>(2)</sup>	135MHz	2	4	8	ns
$t_{sk(o)}$	Output to Output Skew <sup>(3)</sup>	Rising edges at $V_{DD}/2$	—	—	250	ps

### NOTES:

1. With external series resistor of  $33\Omega$  positioned close to each output pin.
2. With rail-to-rail input clock.
3. Between any two outputs with equal loading.
4. Duty cycle on outputs will match incoming clock duty cycle. Consult IDT for tight duty cycle clock generators.

## TEST CIRCUIT



## TEST CONDITIONS

Symbol	$V_{DD} = 3.3\text{V} \pm 5\%$	Unit
$C_L$	15	pF
$R_T$	$Z_{OUT}$ of pulse generator	$\Omega$
$R_L$	33	$\Omega$
$t_r/t_f$	1 (0V to 3V or 3V to 0V)	ns

### DEFINITIONS:

$C_L$  = Load capacitance: includes jig and probe capacitance.

$R_T$  = Termination resistance: should be equal to the  $Z_{OUT}$  of the pulse generator.

$t_r/t_f$  = Rise/Fall time of the input stimulus from the pulse generator.

## ORDERING INFORMATION

<u>Part Number</u>	<u>Shipping Package</u>	<u>Package</u>	<u>Temperature</u>
5V551DCGI	Tubes	8SOIC	-40 to +85°C
5V551DCGI8	Tape and Reel	8SOIC	-40 to +85°C



**CORPORATE HEADQUARTERS**  
6024 Silver Creek Valley Road  
San Jose, CA 95138

**for SALES:**  
800-345-7015 or 408-284-8200  
fax: 408-284-2775  
www.idt.com

**for Tech Support:**  
clockhelp@idt.com