



Chipsmall Limited consists of a professional team with an average of over 10 year of expertise in the distribution of electronic components. Based in Hongkong, we have already established firm and mutual-benefit business relationships with customers from,Europe,America and south Asia,supplying obsolete and hard-to-find components to meet their specific needs.

With the principle of “Quality Parts,Customers Priority,Honest Operation,and Considerate Service”,our business mainly focus on the distribution of electronic components. Line cards we deal with include Microchip,ALPS,ROHM,Xilinx,Pulse,ON,Everlight and Freescale. Main products comprise IC,Modules,Potentiometer,IC Socket,Relay,Connector.Our parts cover such applications as commercial,industrial, and automotives areas.

We are looking forward to setting up business relationship with you and hope to provide you with the best service and solution. Let us make a better world for our industry!



## Contact us

Tel: +86-755-8981 8866 Fax: +86-755-8427 6832

Email & Skype: info@chipsmall.com Web: www.chipsmall.com

Address: A1208, Overseas Decoration Building, #122 Zhenhua RD., Futian, Shenzhen, China





# 3.3V PROGRAMMABLE SKEW PLL CLOCK DRIVER TURBOCLOCK™

IDT5V991A

## FEATURES:

- REF is 5V tolerant
- 4 pairs of programmable skew outputs
- Low skew: 200ps same pair, 250ps all outputs
- Selectable positive or negative edge synchronization:  
Excellent for DSP applications
- Synchronous output enable
- Output frequency: 3.75MHz to 85MHz
- 2x, 4x, 1/2, and 1/4 outputs
- 3 skew grades:  
IDT5V991A-2:  $t_{SKEW0} < 250ps$   
IDT5V991A-5:  $t_{SKEW0} < 500ps$   
IDT5V991A-7:  $t_{SKEW0} < 750ps$
- 3-level inputs for skew and PLL range control
- PLL bypass for DC testing
- External feedback, internal loop filter
- 12mA balanced drive outputs
- Low Jitter: <200ps peak-to-peak
- Available in 32-pin PLCC Package

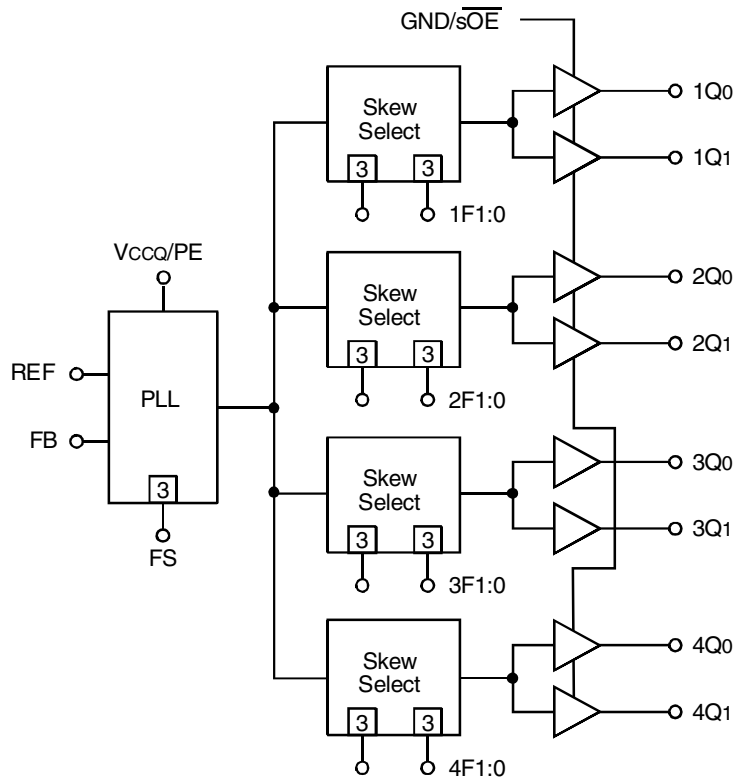
## DESCRIPTION:

The IDT5V991A is a high fanout 3.3V PLL based clock driver intended for high performance computing and data-communications applications. A key feature of the programmable skew is the ability of outputs to lead or lag the REF input signal. The IDT5V991A has eight programmable skew outputs in four banks of 2. Skew is controlled by 3-level input signals that may be hard-wired to appropriate HIGH-MID-LOW levels.

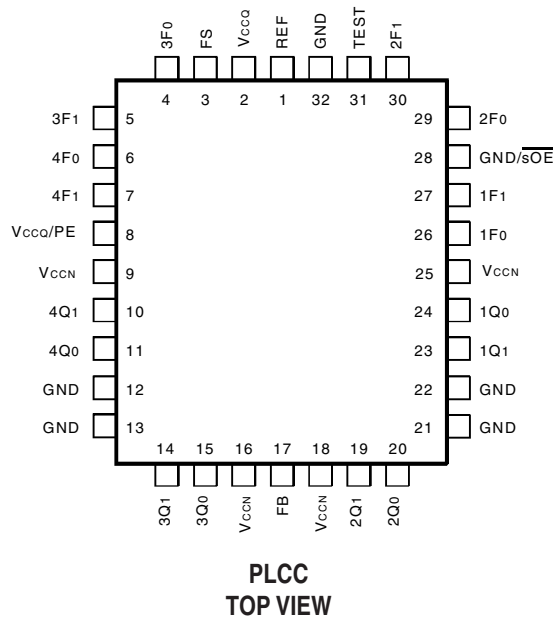
When the  $GND/\overline{sOE}$  pin is held low, all the outputs are synchronously enabled. However, if  $GND/\overline{sOE}$  is held high, all the outputs except 3Q0 and 3Q1 are synchronously disabled.

Furthermore, when the  $V_{CCQ}/PE$  is held high, all the outputs are synchronized with the positive edge of the REF clock input. When  $V_{CCQ}/PE$  is held low, all the outputs are synchronized with the negative edge of REF. Both devices have LVTTTL outputs with 12mA balanced drive outputs.

## FUNCTIONAL BLOCK DIAGRAM



## PIN CONFIGURATION



## ABSOLUTE MAXIMUM RATINGS<sup>(1)</sup>

| Symbol           | Description              | Max                          | Unit |
|------------------|--------------------------|------------------------------|------|
|                  | Supply Voltage to Ground | -0.5 to +7                   | V    |
| V <sub>I</sub>   | DC Input Voltage         | -0.5 to V <sub>CC</sub> +0.5 | V    |
|                  | REF Input Voltage        | -0.5 to +5.5                 | V    |
| T <sub>J</sub>   | Junction Temperature     | 150                          | °C   |
| T <sub>STG</sub> | Storage Temperature      | -65 to +150                  | °C   |

**NOTE:**

- Stresses beyond those listed under ABSOLUTE MAXIMUM RATINGS may cause permanent damage to the device. These are stress ratings only, and functional operation of the device at these or any other conditions above those indicated in the operational sections of this specification is not implied. Exposure to absolute-maximum-rated conditions for extended periods may affect device reliability.

## CAPACITANCE (T<sub>A</sub> = +25°C, f = 1MHz, V<sub>IN</sub> = 0V)

| Parameter       | Description       | Typ. | Max. | Unit |
|-----------------|-------------------|------|------|------|
| C <sub>IN</sub> | Input Capacitance | 5    | 7    | pF   |

**NOTE:**

- Capacitance applies to all inputs except TEST, FS, and nF1:0.

## PIN DESCRIPTION

| Pin Name                             | Type | Description  |
|--------------------------------------|------|--|
| REF                                  | IN   | Reference Clock Input  |
| FB                                   | IN   | Feedback Input   |
| TEST <sup>(1)</sup>                  | IN   | When MID or HIGH, disables PLL (except for conditions of Note 1). REF goes to all outputs. Skew selections (see Control Summary Table) remain in effect. Set LOW for normal operation.   |
| GND/ $\overline{sOE}$ <sup>(1)</sup> | IN   | Synchronous Output Enable. When HIGH, it stops clock outputs (except 3Q <sub>0</sub> and 3Q <sub>1</sub> ) in a LOW state - 3Q <sub>0</sub> and 3Q <sub>1</sub> may be used as the feedback signal to maintain phase lock. When TEST is held at MID level and GND/ $\overline{sOE}$ is HIGH, the nF[1:0] pins act as output disable controls for individual banks when nF[1:0] = LL. Set GND/ $\overline{sOE}$ LOW for normal operation. |
| V <sub>CCA</sub> /PE                 | IN   | Selectable positive or negative edge control. When LOW/HIGH the outputs are synchronized with the negative/positive edge of the reference clock.   |
| nF[1:0]                              | IN   | 3-level inputs for selecting 1 of 9 skew taps or frequency functions   |
| FS                                   | IN   | Selects appropriate oscillator circuit based on anticipated frequency range. (See PLL Programmable Skew Range.)  |
| nQ[1:0]                              | OUT  | Four banks of two outputs with programmable skew   |
| V <sub>CCN</sub>                     | PWR  | Power supply for output buffers  |
| V <sub>CCQ</sub>                     | PWR  | Power supply for phase locked loop and other internal circuitry  |
| GND                                  | PWR  | Ground   |

**NOTE:**

- When TEST = MID and GND/ $\overline{sOE}$  = HIGH, PLL remains active with nF[1:0] = LL functioning as an output disable control for individual output banks. Skew selections remain in effect unless nF[1:0] = LL.

## PROGRAMMABLE SKEW

Output skew with respect to the REF input is adjustable to compensate for PCB trace delays, backplane propagation delays or to accommodate requirements for special timing relationships between clocked components. Skew is selectable as a multiple of a time unit  $t_u$  which is of the order of a nanosecond (see PLL Programmable Skew Range and Resolution Table). There are nine skew configurations available for each output pair. These configurations are chosen by the nF<sub>1:0</sub> control pins. In order

to minimize the number of control pins, 3-level inputs (HIGH-MID-LOW) are used, they are intended for but not restricted to hard-wiring. Undriven 3-level inputs default to the MID level. Where programmable skew is not a requirement, the control pins can be left open for the zero skew default setting. The Control Summary Table shows how to select specific skew taps by using the nF<sub>1:0</sub> control pins.



## EXTERNAL FEEDBACK

By providing external feedback, the IDT5V991A gives users flexibility with regard to skew adjustment. The FB signal is compared with the input REF signal at the phase detector in order to drive the VCO. Phase differences cause the VCO of the PLL to adjust upwards or downwards accordingly.

An internal loop filter moderates the response of the VCO to the phase detector. The loop filter transfer function has been chosen to provide minimal jitter (or frequency variation) while still providing accurate responses to input frequency changes.

## PLL PROGRAMMABLE SKEW RANGE AND RESOLUTION TABLE

|   | FS = LOW      | FS = MID      | FS = HIGH     | Comments        |
|---|---------------|---------------|---------------|-----------------|
| Timing Unit Calculation (tu)                | 1/(44 x FNOM) | 1/(26 x FNOM) | 1/(16 x FNOM) |                 |
| VCO Frequency Range (FNOM) <sup>(1,2)</sup> | 15 to 35MHz   | 25 to 60MHz   | 40 to 85 MHz  |                 |
| Skew Adjustment Range <sup>(3)</sup>        |               |               |               |                 |
| Max Adjustment:                             | ±9.09ns       | ±9.23ns       | ±9.38ns       | ns              |
|   | ±49°          | ±83°          | ±135°         | Phase Degrees   |
|   | ±14%          | ±23%          | ±37%          | % of Cycle Time |
| Example 1, FNOM = 15MHz                     | tu = 1.52ns   | —             | —             |                 |
| Example 2, FNOM = 25MHz                     | tu = 0.91ns   | tu = 1.54ns   | —             |                 |
| Example 3, FNOM = 30MHz                     | tu = 0.76ns   | tu = 1.28ns   | —             |                 |
| Example 4, FNOM = 40MHz                     | —             | tu = 0.96ns   | tu = 1.56ns   |                 |
| Example 5, FNOM = 50MHz                     | —             | tu = 0.77ns   | tu = 1.25ns   |                 |
| Example 6, FNOM = 80MHz                     | —             | —             | tu = 0.78ns   |                 |

### NOTES:

- The device may be operated outside recommended frequency ranges without damage, but functional operation is not guaranteed. Selecting the appropriate FS value based on input frequency range allows the PLL to operate in its 'sweet spot' where jitter is lowest.
- The level to be set on FS is determined by the nominal operating frequency of the VCO and Time Unit Generator. The VCO frequency always appears at 1Q1:0, 2Q1:0, and the higher outputs when they are operated in their undivided modes. The frequency appearing at the REF and FB inputs will be the same as the VCO when the output connected to FB is undivided. The frequency of the REF and FB inputs will be 1/2 or 1/4 the VCO frequency when the part is configured for a frequency multiplication by using a divided output as the FB input.
- Skew adjustment range assumes that a zero skew output is used for feedback. If a skewed Q output is used for feedback, then adjustment range will be greater. For example if a 4tu skewed output is used for feedback, all other outputs will be skewed -4tu in addition to whatever skew value is programmed for those outputs. 'Max adjustment' range applies to output pairs 3 and 4 where ± 6tu skew adjustment is possible and at the lowest FNOM value.

## CONTROL SUMMARY TABLE FOR FEEDBACK SIGNALS

| nF1:0             | Skew (Pair #1, #2) | Skew (Pair #3) | Skew (Pair #4)          |
|-------------------|--------------------|----------------|-------------------------|
| LL <sup>(1)</sup> | -4tu               | Divide by 2    | Divide by 2             |
| LM                | -3tu               | -6tu           | -6tu                    |
| LH                | -2tu               | -4tu           | -4tu                    |
| ML                | -1tu               | -2tu           | -2tu                    |
| MM                | Zero Skew          | Zero Skew      | Zero Skew               |
| MH                | 1tu                | 2tu            | 2tu                     |
| HL                | 2tu                | 4tu            | 4tu                     |
| HM                | 3tu                | 6tu            | 6tu                     |
| HH                | 4tu                | Divide by 4    | Inverted <sup>(2)</sup> |

### NOTES:

- LL disables outputs if TEST = MID and GND/sOE = HIGH.
- When pair #4 is set to HH (inverted), GND/sOE disables pair #4 HIGH when Vcc/PE = HIGH, GND/sOE disables pair #4 LOW when Vcc/PE = LOW.

## RECOMMENDED OPERATING RANGE

| Symbol          | Description                   | IDT5V991A-2, -5, -7<br>(Industrial) |      | IDT5V991A-2<br>(Commercial) |      | Unit |
|-----------------|-------------------------------|-------------------------------------|------|-----------------------------|------|------|
|                 |                               | Min.                                | Max. | Min.                        | Max. |      |
| V <sub>CC</sub> | Power Supply Voltage          | 3                                   | 3.6  | 3                           | 3.6  | V    |
| T <sub>A</sub>  | Ambient Operating Temperature | -40                                 | +85  | 0                           | +70  | °C   |

## DC ELECTRICAL CHARACTERISTICS OVER OPERATING RANGE

| Symbol           | Parameter                                      | Conditions   | Min.                   | Max.                   | Unit |
|------------------|--|--|------------------------|------------------------|------|
| V <sub>IH</sub>  | Input HIGH Voltage                             | Guaranteed Logic HIGH (REF, FB Inputs Only)                        | 2                      | —                      | V    |
| V <sub>IL</sub>  | Input LOW Voltage                              | Guaranteed Logic LOW (REF, FB Inputs Only)                         | —                      | 0.8                    | V    |
| V <sub>IHH</sub> | Input HIGH Voltage <sup>(1)</sup>              | 3-Level Inputs Only  | V <sub>CC</sub> -0.6   | —                      | V    |
| V <sub>IMM</sub> | Input MID Voltage <sup>(1)</sup>               | 3-Level Inputs Only  | V <sub>CC</sub> /2-0.3 | V <sub>CC</sub> /2+0.3 | V    |
| V <sub>ILL</sub> | Input LOW Voltage <sup>(1)</sup>               | 3-Level Inputs Only  | —                      | 0.6                    | V    |
| I <sub>IN</sub>  | Input Leakage Current<br>(REF, FB Inputs Only) | V <sub>IN</sub> = V <sub>CC</sub> or GND<br>V <sub>CC</sub> = Max. | —                      | ±5                     | μA   |
| I <sub>3</sub>   | 3-Level Input DC Current (TEST, FS, nF1:0)     | V <sub>IN</sub> = V <sub>CC</sub><br>HIGH Level                    | —                      | ±200                   | μA   |
|                  |  | V <sub>IN</sub> = V <sub>CC</sub> /2<br>MID Level                  | —                      | ±50                    |      |
|                  |  | V <sub>IN</sub> = GND<br>LOW Level                                 | —                      | ±200                   |      |
| I <sub>PU</sub>  | Input Pull-Up Current (V <sub>CCQ</sub> /PE)   | V <sub>CC</sub> = Max., V <sub>IN</sub> = GND                      | —                      | ±100                   | μA   |
| I <sub>PD</sub>  | Input Pull-Down Current (GND/s <sub>OE</sub> ) | V <sub>CC</sub> = Max., V <sub>IN</sub> = V <sub>CC</sub>          | —                      | ±100                   | μA   |
| V <sub>OH</sub>  | Output HIGH Voltage                            | V <sub>CC</sub> = Min., I <sub>OH</sub> = -12mA                    | 2.4                    | —                      | V    |
| V <sub>OL</sub>  | Output LOW Voltage                             | V <sub>CC</sub> = Min., I <sub>OL</sub> = 12mA                     | —                      | 0.55                   | V    |

**NOTE:**  
1. These inputs are normally wired to V<sub>CC</sub>, GND, or unconnected. Internal termination resistors bias unconnected inputs to V<sub>CC</sub>/2. If these inputs are switched, the function and timing of the outputs may be glitched, and the PLL may require an additional t<sub>LOCK</sub> time before all datasheet limits are achieved.

## POWER SUPPLY CHARACTERISTICS

| Symbol           | Parameter                               | Test Conditions <sup>(1)</sup>  | Typ. <sup>(2)</sup> | Max. | Unit   |
|------------------|---|---|---------------------|------|--------|
| I <sub>CCQ</sub> | Quiescent Power Supply Current          | V <sub>CC</sub> = Max., TEST = MID, REF = LOW,<br>V <sub>CCQ</sub> /PE = LOW, GND/s <sub>OE</sub> = LOW<br>All outputs unloaded | 8                   | 25   | mA     |
| ΔI <sub>CC</sub> | Power Supply Current per Input HIGH     | V <sub>CC</sub> = Max., V <sub>IN</sub> = 3V  | 1                   | 30   | μA     |
| I <sub>CCD</sub> | Dynamic Power Supply Current per Output | V <sub>CC</sub> = Max., CL = 0pF  | 55                  | 90   | μA/MHz |
| I <sub>TOT</sub> | Total Power Supply Current              | V <sub>CC</sub> = 3.3V, F <sub>REF</sub> = 20MHz, CL = 160pF <sup>(1)</sup>   | 29                  | —    | mA     |
|                  |   | V <sub>CC</sub> = 3.3V, F <sub>REF</sub> = 33MHz, CL = 160pF <sup>(1)</sup>   | 42                  | —    |        |
|                  |   | V <sub>CC</sub> = 3.3V, F <sub>REF</sub> = 66MHz, CL = 160pF <sup>(1)</sup>   | 76                  | —    |        |

**NOTE:**  
1. For eight outputs, each loaded with 20pF.

## INPUT TIMING REQUIREMENTS

| Symbol                          | Description <sup>(1)</sup>                    | Min. | Max. | Unit |
|---------------------------------|---|------|------|------|
| t <sub>R</sub> , t <sub>F</sub> | Maximum input rise and fall times, 0.8V to 2V | —    | 10   | ns/V |
| t <sub>PWC</sub>                | Input clock pulse, HIGH or LOW                | 3    | —    | ns   |
| D <sub>H</sub>                  | Input duty cycle                              | 10   | 90   | %    |
| REF                             | Reference Clock Input                         | 3.75 | 85   | MHz  |

**NOTE:**  
1. Where pulse width implied by D<sub>H</sub> is less than t<sub>PWC</sub> limit, t<sub>PWC</sub> limit applies.

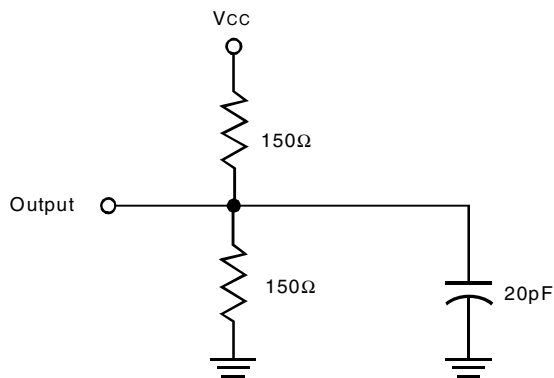
## SWITCHING CHARACTERISTICS OVER OPERATING RANGE

| Symbol              | Parameter   | IDT5V991A-2  |      |      | IDT5V991A-5 |      |      | IDT5V991A-7 |      |      | Unit |    |
|---------------------|---|--|------|------|-------------|------|------|-------------|------|------|------|----|
|                     |   | Min.   | Typ. | Max. | Min.        | Typ. | Max. | Min.        | Typ. | Max. |      |    |
| F <sub>NOM</sub>    | VCO Frequency Range   | See PLL Programmable Skew Range and Resolution Table |      |      |             |      |      |             |      |      |      |    |
| t <sub>RPWH</sub>   | REF Pulse Width HIGH <sup>(11)</sup>  | 3  | —    | —    | 3           | —    | —    | 3           | —    | —    | ns   |    |
| t <sub>RPWL</sub>   | REF Pulse Width LOW <sup>(11)</sup>   | 3  | —    | —    | 3           | —    | —    | 3           | —    | —    | ns   |    |
| t <sub>U</sub>      | Programmable Skew Time Unit   | See Control Summary Table                            |      |      |             |      |      |             |      |      |      |    |
| t <sub>SKEWPR</sub> | Zero Output Matched-Pair Skew (xQ <sub>0</sub> , xQ <sub>1</sub> ) <sup>(1,2,3)</sup> | —  | 0.05 | 0.2  | —           | 0.1  | 0.25 | —           | 0.1  | 0.25 | ns   |    |
| t <sub>SKEW0</sub>  | Zero Output Skew (All Outputs) <sup>(1,4,5)</sup>                                     | —  | 0.1  | 0.25 | —           | 0.25 | 0.5  | —           | 0.3  | 0.75 | ns   |    |
| t <sub>SKEW1</sub>  | Output Skew<br>(Rise-Rise, Fall-Fall, Same Class Outputs) <sup>(1,6)</sup>            | —  | 0.25 | 0.5  | —           | 0.6  | 0.7  | —           | 0.6  | 1    | ns   |    |
| t <sub>SKEW2</sub>  | Output Skew<br>(Rise-Fall, Nominal-Inverted, Divided-Divided) <sup>(1,6)</sup>        | —  | 0.3  | 1.2  | —           | 0.5  | 1.2  | —           | 1    | 1.5  | ns   |    |
| t <sub>SKEW3</sub>  | Output Skew<br>(Rise-Rise, Fall-Fall, Different Class Outputs) <sup>(1,6)</sup>       | —  | 0.25 | 0.5  | —           | 0.5  | 0.7  | —           | 0.7  | 1.2  | ns   |    |
| t <sub>SKEW4</sub>  | Output Skew<br>(Rise-Fall, Nominal-Divided, Divided-Inverted) <sup>(1,2)</sup>        | —  | 0.5  | 0.9  | —           | 0.5  | 1    | —           | 1.2  | 1.7  | ns   |    |
| t <sub>DEV</sub>    | Device-to-Device Skew <sup>(1,2,7)</sup>  | —  | —    | 0.75 | —           | —    | 1.25 | —           | —    | 1.65 | ns   |    |
| t <sub>PD</sub>     | REF Input to FB Propagation Delay <sup>(1,9)</sup>                                    | −0.25  | 0    | 0.25 | −0.5        | 0    | 0.5  | −0.7        | 0    | 0.7  | ns   |    |
| t <sub>ODCV</sub>   | Output Duty Cycle Variation from 50% <sup>(1)</sup>                                   | −1.2   | 0    | 1.2  | −1.2        | 0    | 1.2  | −1.2        | 0    | 1.2  | ns   |    |
| t <sub>PWH</sub>    | Output HIGH Time Deviation from 50% <sup>(1,10)</sup>                                 | —  | —    | 2    | —           | —    | 2.5  | —           | —    | 3    | ns   |    |
| t <sub>PWL</sub>    | Output LOW Time Deviation from 50% <sup>(1,11)</sup>                                  | —  | —    | 1.5  | —           | —    | 3    | —           | —    | 3.5  | ns   |    |
| t <sub>ORISE</sub>  | Output Rise Time <sup>(1)</sup>   | 0.15   | 1    | 1.2  | 0.15        | 1    | 1.5  | 0.15        | 1.5  | 2.5  | ns   |    |
| t <sub>OFALL</sub>  | Output Fall Time <sup>(1)</sup>   | 0.15   | 1    | 1.2  | 0.15        | 1    | 1.5  | 0.15        | 1.5  | 2.5  | ns   |    |
| t <sub>LOCK</sub>   | PLL Lock Time <sup>(1,8)</sup>  | —  | —    | 0.5  | —           | —    | 0.5  | —           | —    | 0.5  | ms   |    |
| t <sub>JR</sub>     | Cycle-to-Cycle Output Jitter <sup>(1)</sup>   | RMS  | —    | —    | 25          | —    | —    | 25          | —    | —    | 25   | ps |
|                     |   | Peak-to-Peak   | —    | —    | 200         | —    | —    | 200         | —    | —    | 200  |    |

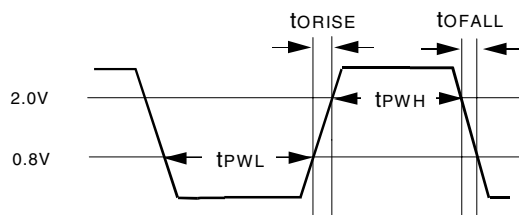
### NOTES:

- All timing and jitter tolerances apply for F<sub>NOM</sub> ≥ 25MHz.
- Skew is the time between the earliest and the latest output transition among all outputs for which the same t<sub>U</sub> delay has been selected when all are loaded with the specified load.
- t<sub>SKEWPR</sub> is the skew between a pair of outputs (xQ<sub>0</sub> and xQ<sub>1</sub>) when all eight outputs are selected for 0t<sub>U</sub>.
- t<sub>SKEW0</sub> is the skew between outputs when they are selected for 0t<sub>U</sub>.
- For IDT5V991A-2 t<sub>SKEW0</sub> is measured with C<sub>L</sub> = 0pF; for C<sub>L</sub> = 30pF, t<sub>SKEW0</sub> = 0.35ns Max.
- There are 3 classes of outputs: Nominal (multiple of t<sub>U</sub> delay), Inverted (4Q<sub>0</sub> and 4Q<sub>1</sub> only with 4F<sub>0</sub> = 4F<sub>1</sub> = HIGH), and Divided (3Q<sub>x</sub> and 4Q<sub>x</sub> only in Divide-by-2 or Divide-by-4 mode).
- t<sub>DEV</sub> is the output-to-output skew between any two devices operating under the same conditions (V<sub>CC</sub>, ambient temperature, air flow, etc.)
- t<sub>LOCK</sub> is the time that is required before synchronization is achieved. This specification is valid only after V<sub>CC</sub> is stable and within normal operating limits. This parameter is measured from the application of a new signal or frequency at REF or FB until t<sub>PD</sub> is within specified limits.
- t<sub>PD</sub> is measured with REF input rise and fall times (from 0.8V to 2V) of 1ns.
- Measured at 2V.
- Measured at 0.8V.

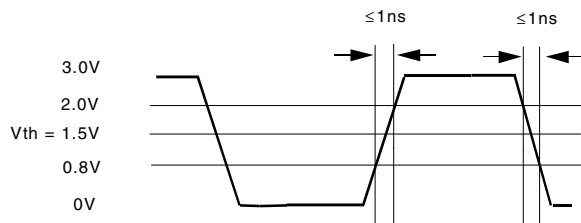
## AC TEST LOADS AND WAVEFORMS



*Test Load*

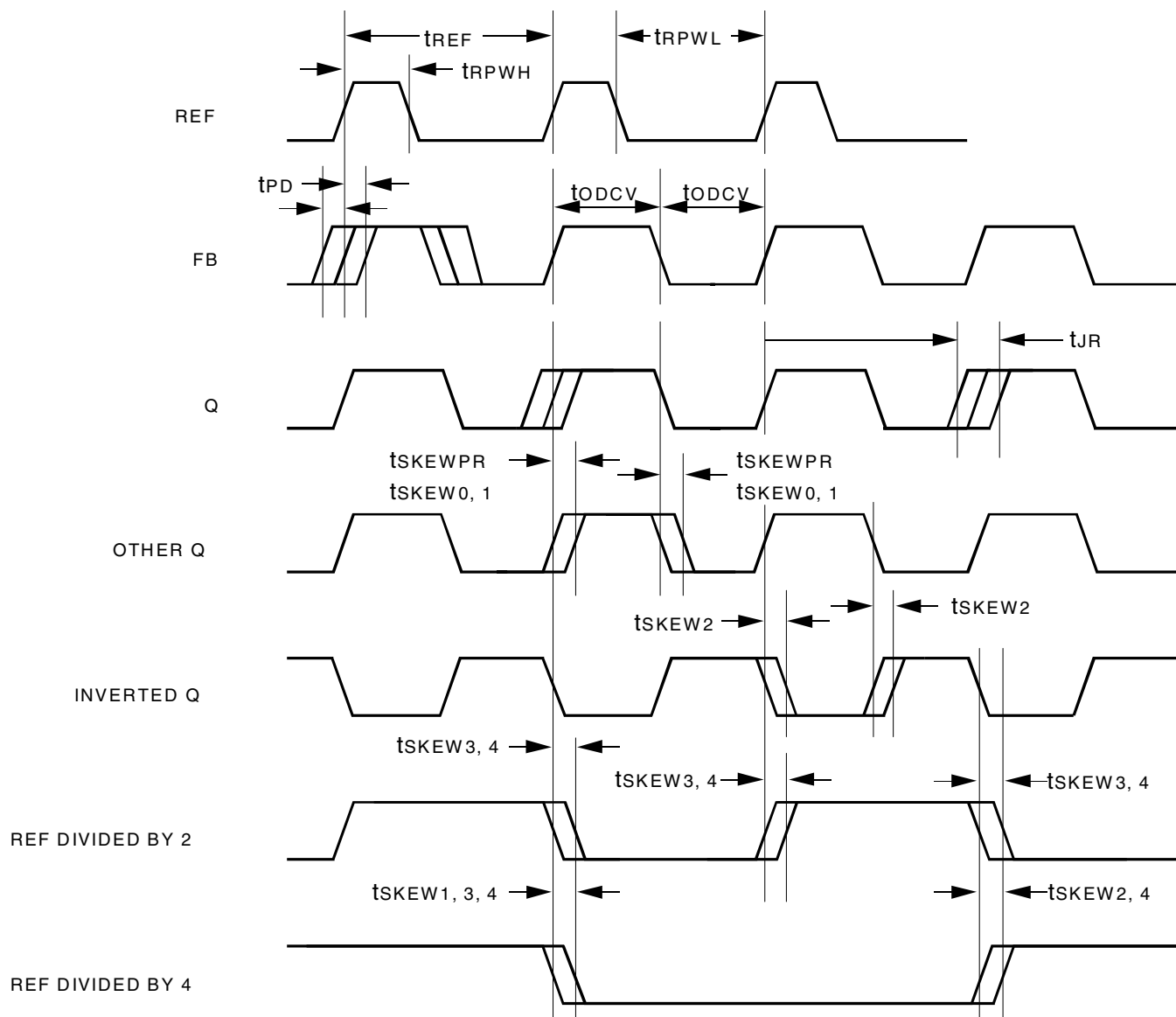


*LVTTTL Output Waveform*



*LVTTTL Input Test Waveform*

## AC TIMING DIAGRAM



### NOTES:

$V_{CCQ}/PE$ : The AC Timing Diagram applies to  $V_{CCQ}/PE=V_{CC}$ . For  $V_{CCQ}/PE=GND$ , the negative edge of FB aligns with the negative edge of REF, divided outputs change on the negative edge of REF, and the positive edges of the divide-by-2 and the divide-by-4 signals align.

**Skew:** The time between the earliest and the latest output transition among all outputs for which the same  $t_u$  delay has been selected when all are loaded with 20pF and terminated with 75Ω to  $V_{CC}/2$ .

$t_{SKEWPR}$ : The skew between a pair of outputs (xQ0 and xQ1) when all eight outputs are selected for 0tu.

$t_{SKEW0}$ : The skew between outputs when they are selected for 0tu.

$t_{DEV}$ : The output-to-output skew between any two devices operating under the same conditions ( $V_{CC}$ , ambient temperature, air flow, etc.)

$t_{ODCV}$ : The deviation of the output from a 50% duty cycle. Output pulse width variations are included in  $t_{SKEW2}$  and  $t_{SKEW4}$  specifications.

$t_{PWH}$  is measured at 2V.

$t_{PWL}$  is measured at 0.8V.

$t_{ORISE}$  and  $t_{OFALL}$  are measured between 0.8V and 2V.

**LOCK:** The time that is required before synchronization is achieved. This specification is valid only after  $V_{CC}$  is stable and within normal operating limits. This parameter is measured from the application of a new signal or frequency at REF or FB until  $t_{PD}$  is within specified limits.



## ORDERING INFORMATION

| <u>XXXXX</u> | <u>XX</u> | <u>X</u>                                |          |  |
|--------------|-----------|---|----------|--|
| Device Type  | Package   | Process                                 |          |  |
|              |           |   | Blank    | Commercial (0°C to +70°C)                          |
|              |           |   | I        | Industrial (-40°C to +85°C)                        |
|              | J         | Rectangular Plastic Leaded Chip Carrier |          |  |
|              | JG        | PLCC - Green                            |          |  |
|              |           |   | 5V991A-2 | 3.3V Programmable Skew PLL Clock Driver TurboClock |
|              |           |   | 5V991A-5 |  |
|              |           |   | 5V991A-7 |  |



**CORPORATE HEADQUARTERS**  
6024 Silver Creek Valley Road  
San Jose, CA 95138

**for SALES:**  
800-345-7015 or 408-284-8200  
fax: 408-284-2775  
www.idt.com

**for Tech Support:**  
clockhelp@idt.com