



Chipsmall Limited consists of a professional team with an average of over 10 year of expertise in the distribution of electronic components. Based in Hongkong, we have already established firm and mutual-benefit business relationships with customers from,Europe,America and south Asia,supplying obsolete and hard-to-find components to meet their specific needs.

With the principle of “Quality Parts,Customers Priority,Honest Operation,and Considerate Service”,our business mainly focus on the distribution of electronic components. Line cards we deal with include Microchip,ALPS,ROHM,Xilinx,Pulse,ON,Everlight and Freescale. Main products comprise IC,Modules,Potentiometer,IC Socket,Relay,Connector.Our parts cover such applications as commercial,industrial, and automotives areas.

We are looking forward to setting up business relationship with you and hope to provide you with the best service and solution. Let us make a better world for our industry!



## Contact us

Tel: +86-755-8981 8866 Fax: +86-755-8427 6832

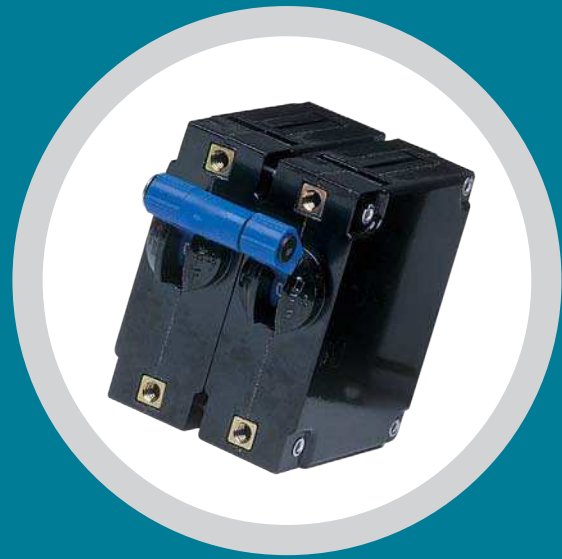
Email & Skype: info@chipsmall.com Web: www.chipsmall.com

Address: A1208, Overseas Decoration Building, #122 Zhenhua RD., Futian, Shenzhen, China



# AIRPAX®

## IAG/IUG/IEG/CEG/LEG Magnetic Circuit Protectors



|                           |  |     |
|---------------------------|--|-----|
| Introduction              |  | 105 |
| Single & Multi-Pole       |  | 106 |
| Rocker, Sealed Toggle     |  | 109 |
| Configurations            |  | 114 |
| Operating Characteristics |  | 116 |
| Delay Curves              |  | 117 |
| Specifications            |  | 121 |
| Decision Tables           |  | 123 |





# AIRPAX® | IAG/IUG/IEG/CEG/LEG Series

## Hydraulic Magnetic Circuit Protectors

### INTRODUCTION

The Airpax™ IAG/IUG/IEG/CEG/LEG magnetic circuit protectors provide low-cost power switching, reliable circuit protection and accurate circuit control for equipment in the international marketplace.

IEG models meet IEC spacing requirements which is mandatory for equipment that must comply with IEC specifications 601 and 950 and VDE specifications 0804 and 0805. In addition, they are UL Recognized as supplementary protectors per UL STD. 1077, CSA Certified as supplementary protectors per CSA C22.2–No. 235, VDE Approved to VDE 0642 (EN60934), CCC Approved and CE Compliant. IAG models are for those applications where the unit's inherent attributes are desired, but compliance with the various standards is not required.

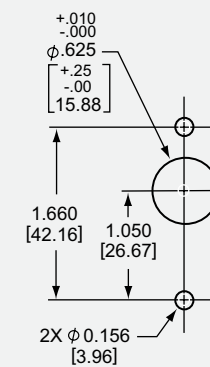
Designed using the latest in sensitive hydraulic magnetic technology, the IAG/IUG/IEG/CEG/LEG line adapts itself to many applications and environments. They're ideal for data processing and business machines, medical instrumentation, broadcast

equipment, vending and amusement machines, military applications and wherever precision operation is required. Temperature differences which affect fuses and other thermal devices are not a concern.

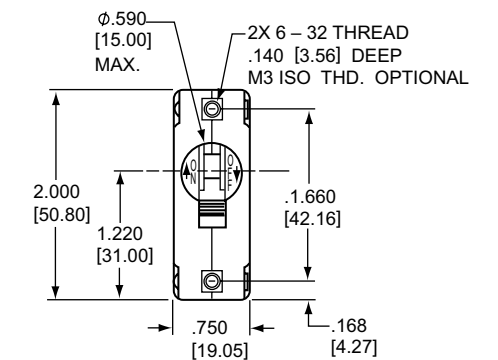
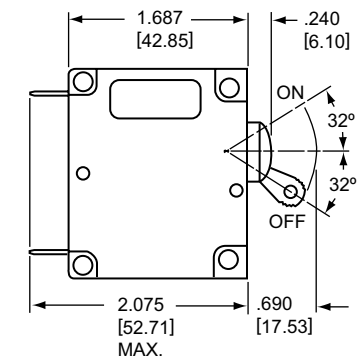
One important feature of this protector line is a "trip free" action, which means the circuit will trip in the presence of an overload even though the handle is held in the ON position. The delay mechanism senses the fault and the contacts open.

The IAG/IUG/IEG/CEG/LEG is available in a wide variety of configurations including series, series with auxiliary switch, shunt and relay with a choice of delays and ratings in either DC, 50/60Hz or 400Hz versions. Handles come in seven different colors and international markings are standard. Single or multi-pole versions are available, with a variety of pole arrangements to meet your specifications. Four pole models require a double toggle handle. Units with a handle per pole come in one through six pole assemblies.

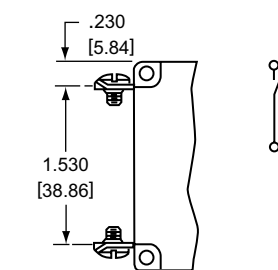
Single Pole Mounting Detail



### SINGLE POLE CIRCUIT PROTECTOR



LEG Type Units Require Screw Terminals



Note: Tolerance ±0.015 [.38] unless noted. Dimensions in brackets [ ] are millimeters.

**MULTI-POLE CIRCUIT PROTECTORS  
(IAG/IUG/IEG/CEG/LEG)**

**Two Pole Protectors**

An assembly consisting of two single pole units, having their trip mechanisms internally coupled and with a single toggle handle, forms the IEG11 with quick-connect D.I.N.-style terminals. Individual poles may differ in ratings, delays and internal connections. An auxiliary switch may be included in either or both poles, allowing you to mix SELV and hazardous voltages. Rugged screw-type terminals can be provided, in which case the designation would be IEG66. The IEGH offers a toggle handle for each pole. LEG type units are available only in one or two pole configurations.

**Three Pole and Four Pole Protectors**

The three pole construction consists of three single pole units assembled with an internal mechanical interlock which actuates

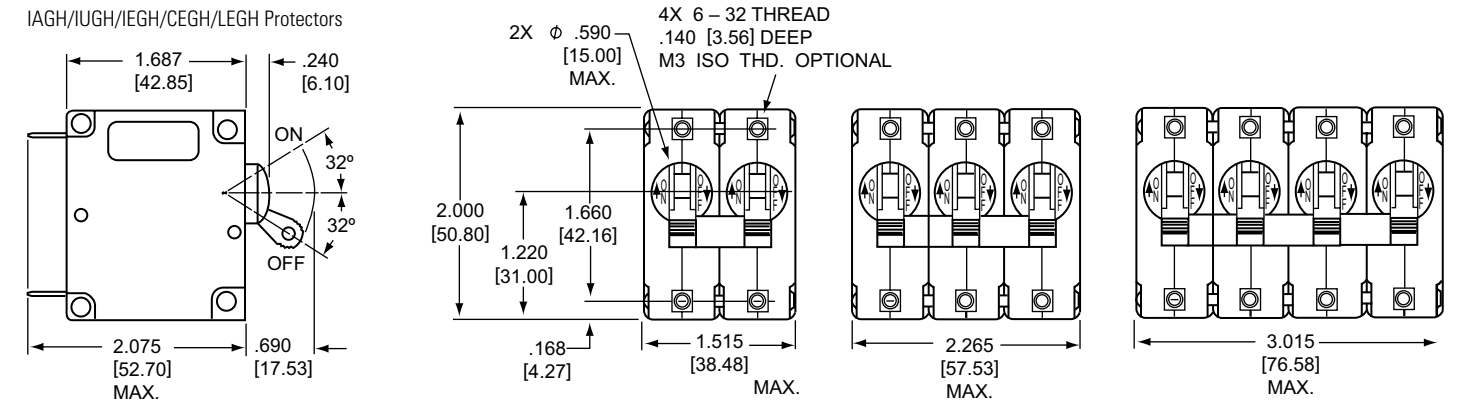
all units simultaneously. A single toggle handle operates all three poles for quick and convenient control, or if preferred, a handle per pole is available. The four pole construction consists of four single pole units assembled with an internal mechanical interlock which actuates all units simultaneously. A double toggle handle operates all four poles. The individual poles need not have identical characteristics and any series trip pole may have an auxiliary switch. If screw-type terminals are required, the breaker designation will be IEG666 for a three pole version and IEG6666 for a four pole version.

Protector poles are numbered consecutively when viewed from the terminal side, with the ON position up, starting with Pole #1 on the left side and proceeding to the right.

**MULTI-POLE CIRCUIT PROTECTORS  
(IAGH/IUGH/IEGH/CEGH/LEGH)**

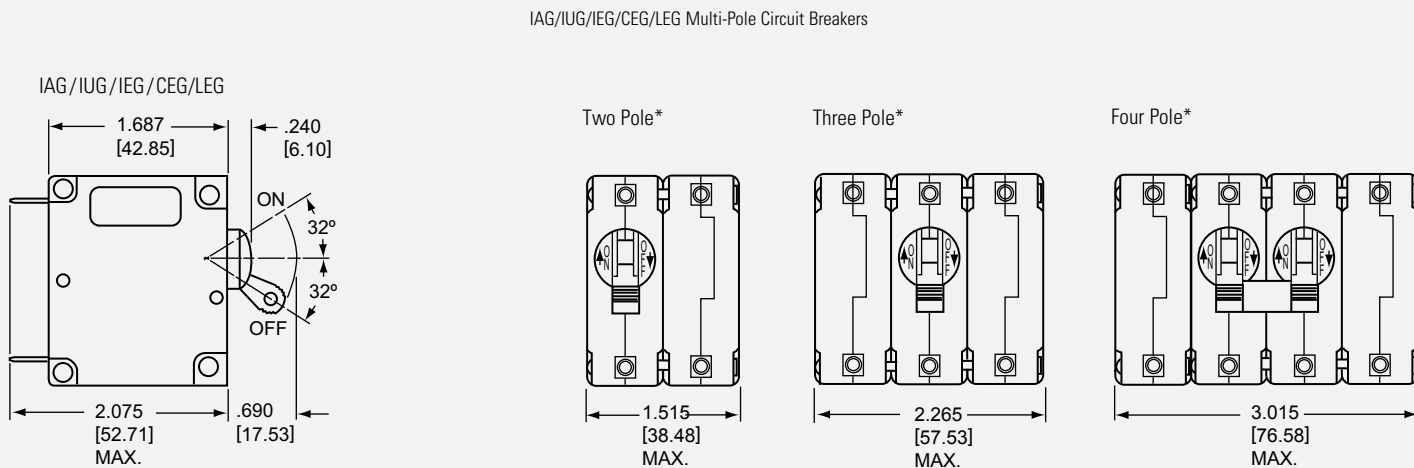
The IAGH/IUGH/IEGH/CEGH/LEGH two, three and four pole models are available with a handle per pole.

LEGH type units are available only in two pole models.



Panel Mounting Detail: Tolerance for Mtg. ±.005 [.13] unless noted.

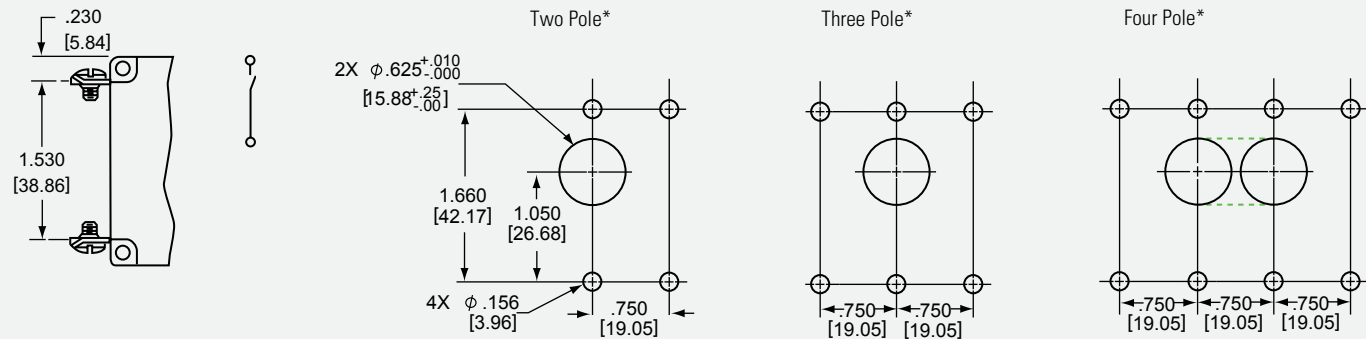
**NOTE:** We recommend machining slots into your panel for 2 or more poles. This eliminates the need to disassemble/reassemble the handle ties to be able to insert the handles through individually drilled holes. LEG type units are only available in one or two poles.



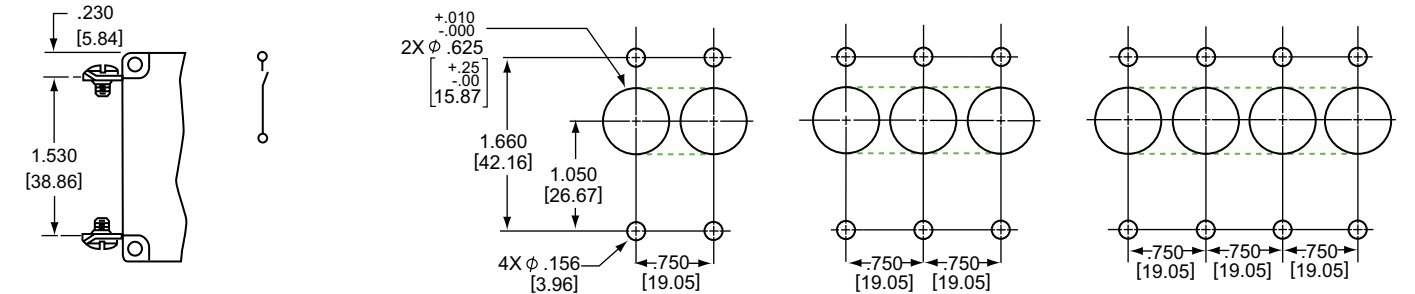
IAG/IUG/IEG/CEG/LEG Multi-Pole Circuit Breakers

(Optional: Handle may be located in Pole 1 instead of Pole 2)

LEG Type Units Require Screw Terminals



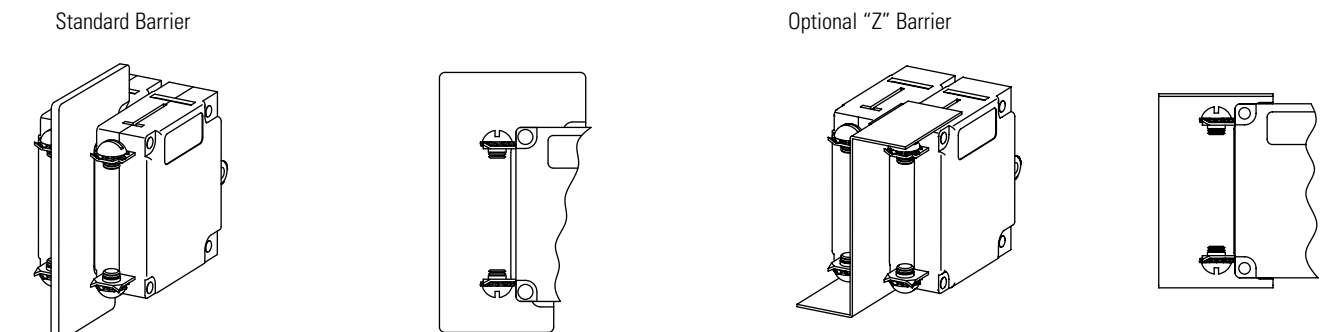
LEG Type Units Require Screw Terminals



**LEG/LEGH Barriers (required)**

In order to meet UL listing requirements, the LEG/LEGH two pole model requires barriers. Available with a standard straight barrier or an optional "Z" type barrier.

\*See Two Pole Mounting Detail for hole sizes and locations.



Note: Tolerance ± .015 [.38] unless noted. Dimensions in brackets [ ] are millimeters.

Panel Mounting Detail: Tolerance for Mtg. ±.005 [.13] unless noted. \*See Single Pole Mounting Detail for hole sizes and locations. LEG type units are only available in one or two poles.

Note: Tolerance ± .015 [.38] unless noted. Dimensions in brackets [ ] are millimeters.

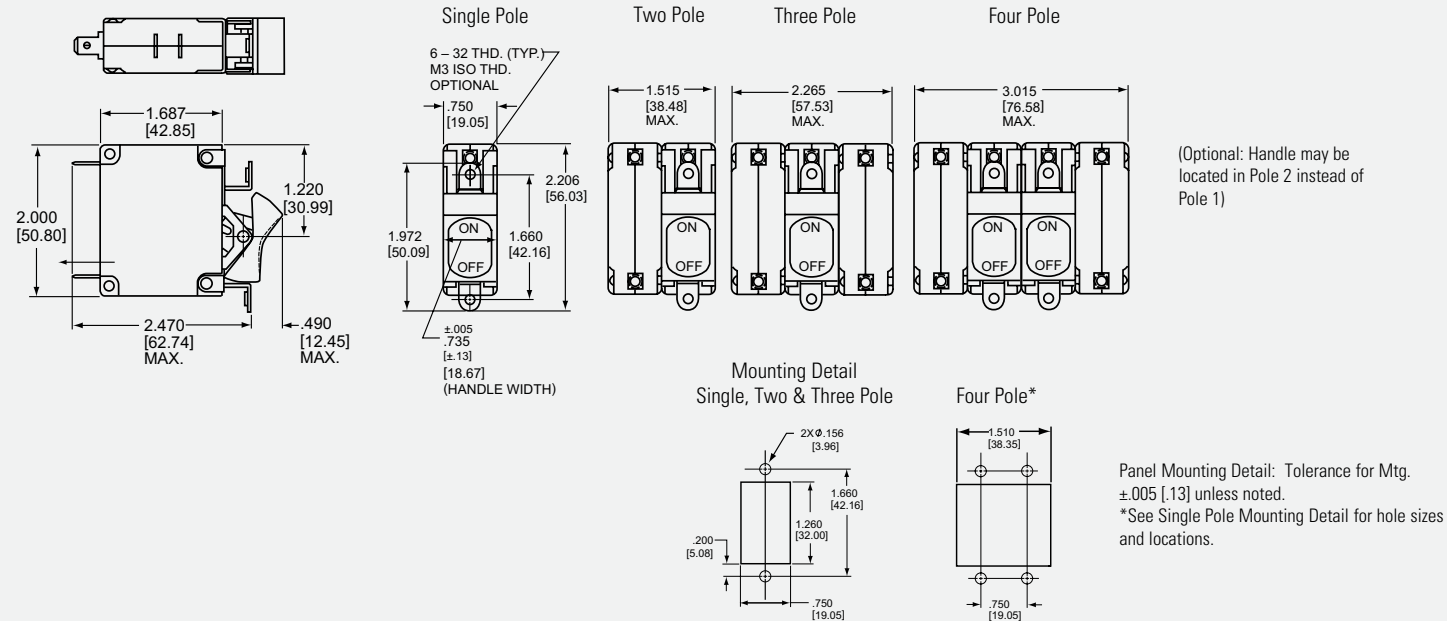
**ROCKER CIRCUIT PROTECTORS  
(IAGX/IAGZX/IUGX/IUGZX/IEGX/IEGZX/CEGX/CEGZX/LEGZX)**

The IAGX/IUGX/IEGX/CEGX and IAGZX/IUGZX/IEGZX/CEGZX/LEGZX styles offer two attractive rocker actuator versions of our popular IAG/IUG/IEG/CEG/LEG family. Designed with the operator in mind, each features handles with a concave surface and aesthetic appearance for front panel applications.

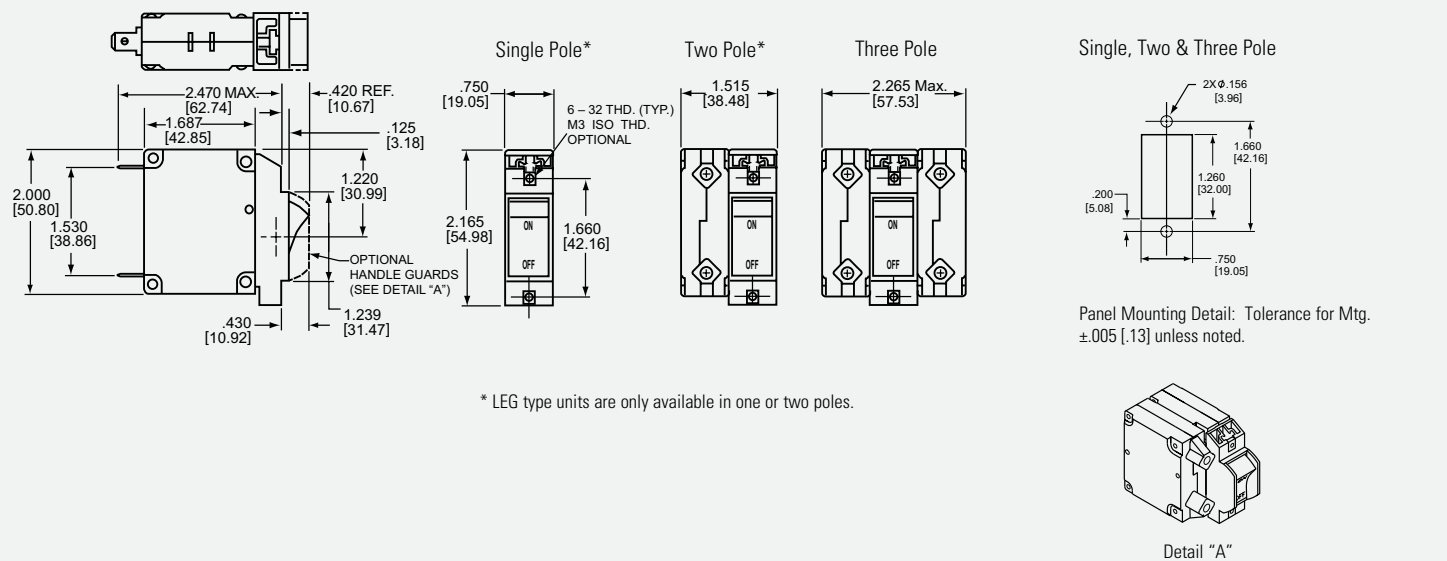
Both are available with rocker handle styles in a choice of five single colors: black, red, grey, orange or white.

The IAGZX/IUGZX/IEGZX/CEGZX/LEGZX style adds our "EZ" options of contrasting dual color rocker actuators, affording a clear visual indication of the handle position and integrated handle guards, to help prevent accidental turn-on and turn-off of the unit. Available with a black rocker and white, red or green indicator color for either ON or OFF indication.

**IAGX/IUGX/IEGX/CEGX**



**IAGZX/IUGZX/IEGZX/CEGZX/LEGZX**



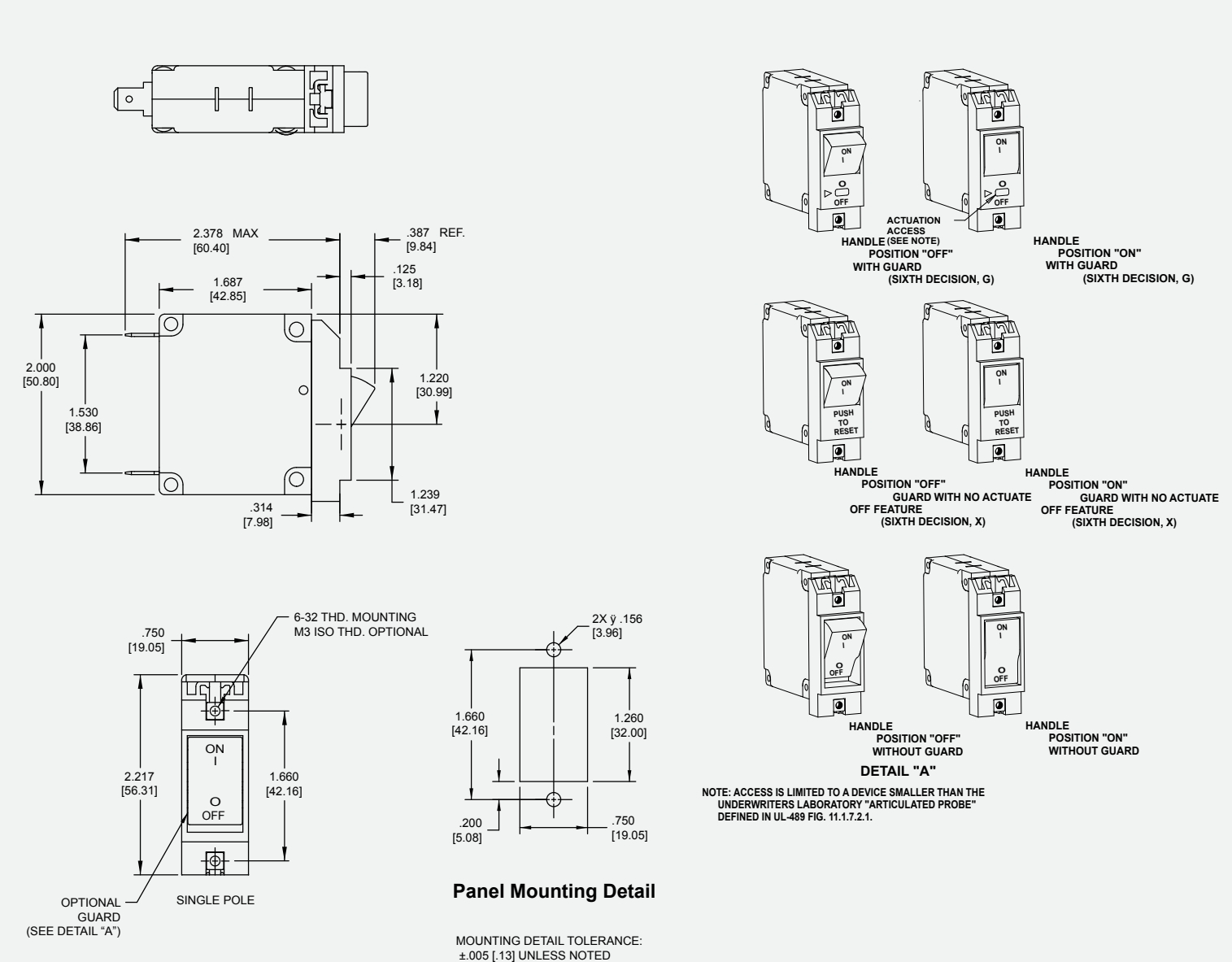
Note: Tolerance ± .015 [.38] unless noted. Dimensions in brackets [ ] are millimeters.

**ROCKER CIRCUIT PROTECTORS  
(IAGBX/IUGBX/IEGBX/CEGBX/LEGBX)**

The innovative new design of our IEG BX style circuit breaker features a flat front rocker that not only satisfies your aesthetic needs, it guards against accidental actuation while providing the highest degree of circuit protection and quality. Only Airpax offers this new standard in user interface, providing additional peace of mind that guards alone can't supply.

Available on a variety of versions with a full range of agency approvals, the new IEG BX style circuit breakers meet or exceed all current performance specifications, including interrupting capacities up to 50,000 amperes. Various guard options offer additional and increasing levels of actuation protection performance. The two shot mold on the flat rocker surface provides a clean, crisp legend that can withstand demanding use.

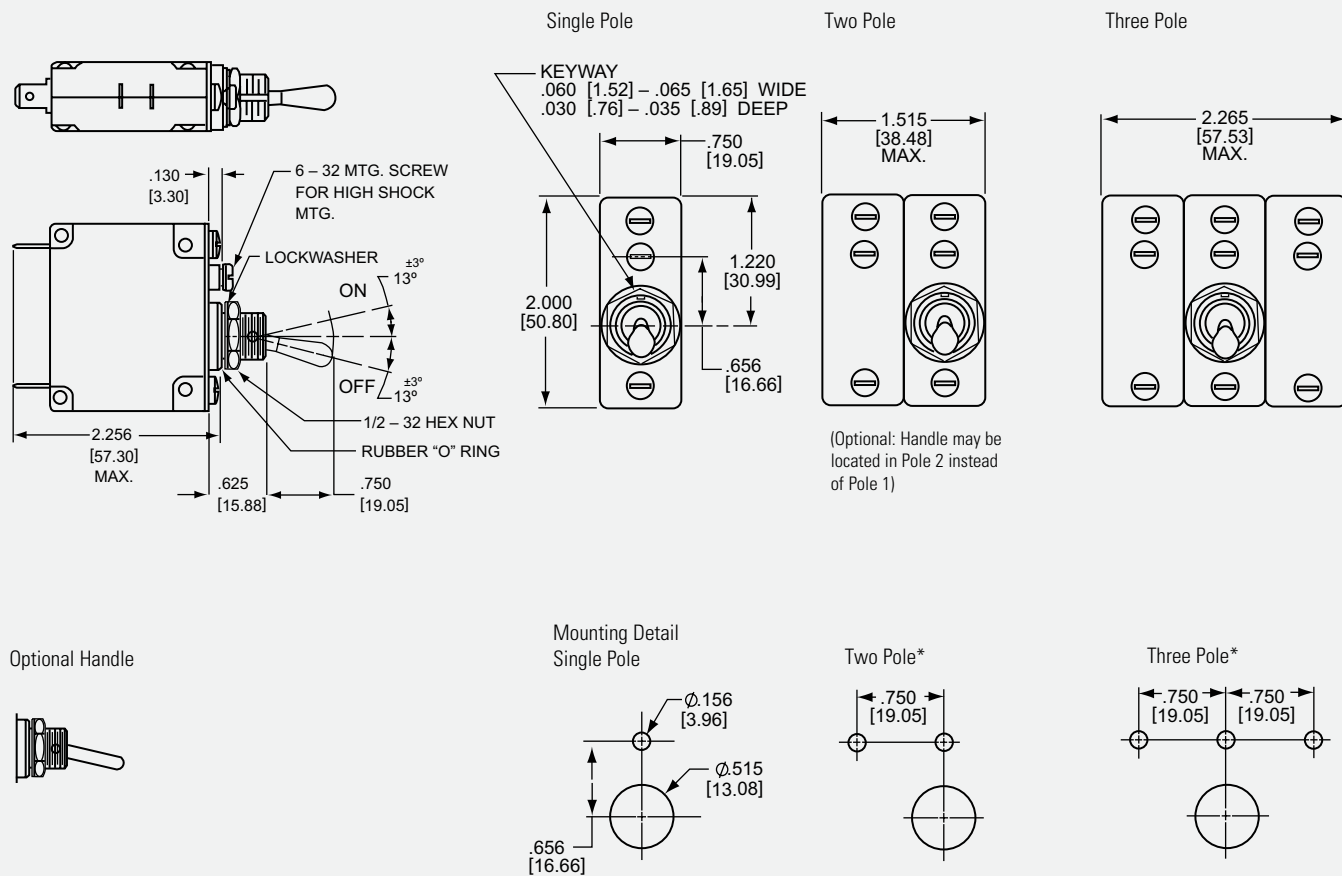
**IAGBX/IUGBX/IEGBX/CEGBX/LEGBX**



**SEALED TOGGLE CIRCUIT PROTECTORS (IAGN/IUGN)**

The IAGN/IUGN family is a sealed toggle version of the IAG/IUG family. The silicone rubber seal around the handle assures panel seal integrity and makes this style a natural for harsh environments.

This sealed toggle family is available in one to three poles with ratings of .050 to 50 amperes.



Panel Mounting Detail: Tolerance for Mtg. ±.005 [.13] unless noted. \*See Single Pole Mounting Detail for hole sizes and locations.

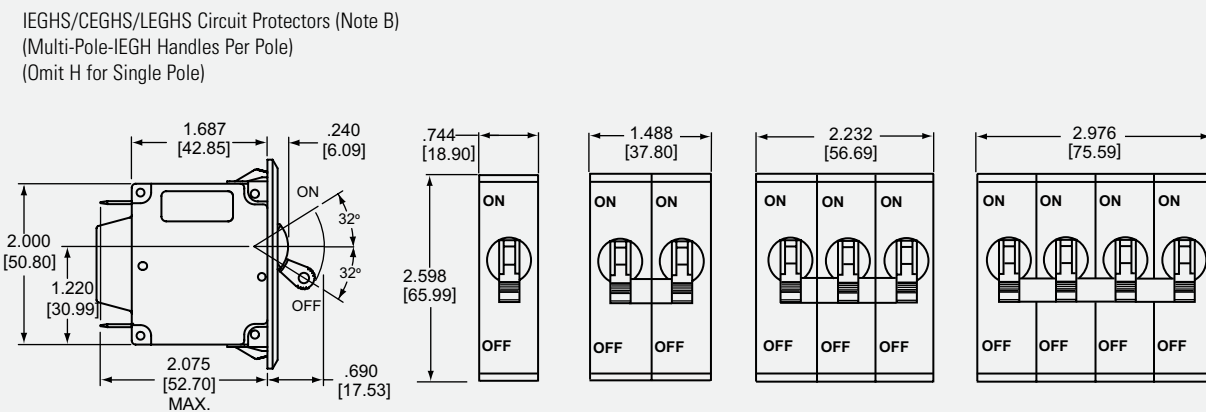
Note: Tolerance ± .015 [.38] unless noted. Dimensions in brackets [ ] are millimeters.

**SNAP-IN CIRCUIT PROTECTORS (IEGS/IEGHS/CEGS/CEGHS/LEGS/LEGHS)**

The Snap-In version of the IEG brings mounting simplification and international spacing together in a package that is aesthetically enhanced. The IEGS securely snaps into a rectangular cut-out, eliminating the need for panel mounting hardware and the associated costs. The face plate of the IEGS is a clean, black matte and it satisfies the increasing demand for front panel components that are designed with ergonomic considerations.

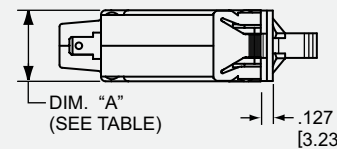
The IEGS is offered in either flush or beveled versions, in 1, 2, 3 or 4 pole packages, and with a handle per pole or per unit.

The IEGS is UL Recognized, CSA Certified and VDE approved.

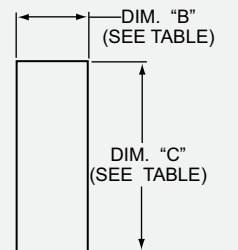


IEGHS/CEGHS/LEGHS Circuit Protectors (Note B) (Multi-Pole-IEGH Handles Per Pole) (Omit H for Single Pole)

Panel Cutout Detail Panel Thickness: (See Table)

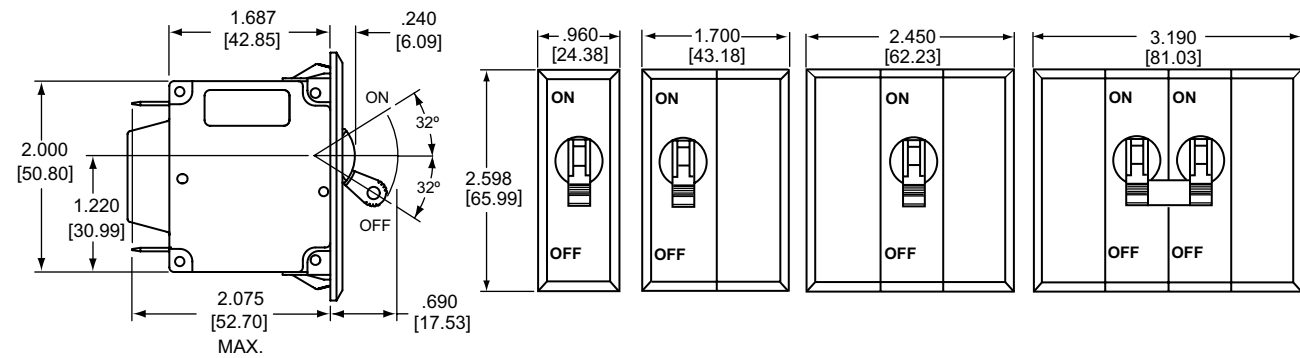


Note: A: Flush face plate is optional. See decision tables, sixth decision. B: Tolerance ± .031 [.79] Angles: ±5° unless noted. Dimensions in brackets [ ] are millimeters.

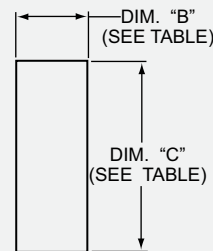
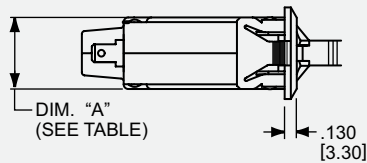


| DIMENSIONS "A", "B", "C" |                              |                              |                              |                             |
|--------------------------|------------------------------|------------------------------|------------------------------|-----------------------------|
| Number of Poles          | Dimension "A", inches [ mm ] | Dimension "B", inches [ mm ] | Dimension "C", inches [ mm ] |                             |
| 1 pole                   | .750 [19.05] max             | .755 [19.18] min             | 2.180 ± .005 [55.37 ± .13]   | 2.186 ± .011 [55.52 ± .28]  |
| 2 pole                   | 1.515 [38.48] max            | 1.520 [38.61] min            |                              |                             |
| 3 pole                   | 2.265 [57.53] max            | 2.270 [57.66] min            |                              |                             |
| 4 pole                   | 3.015 [76.58] max            | 3.020 [76.71] min            |                              |                             |
| Panel Thickness          |                              |                              | .040 to .059 [1.02 to 1.50]  | .060 to .100 [1.52 to 2.54] |

IEGS/CEGS/LEGS Circuit Protectors (Note B)  
(Add H for multiple handles per unit, IEGHS)



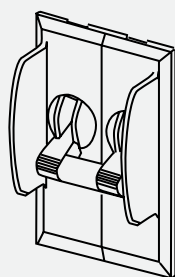
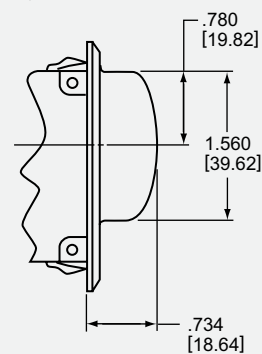
Panel Cutout Detail  
Panel Thickness: (See Table)



**DIMENSIONS "A", "B", "C"**

| Number of Poles        | Dimension "A", inches [ mm ] | Dimension "B", inches [ mm ] | Dimension "C", inches [ mm ] |                             |
|------------------------|------------------------------|------------------------------|------------------------------|-----------------------------|
| 1 pole                 | .750 [19.05] max             | .780 ± .015 [19.81 ± .381]   | 2.180 ± .005 [55.37 ± .13]   | 2.186 ± .011 [55.52 ± .28]  |
| 2 pole                 | 1.515 [38.48] max            | 1.540 ± .015 [39.12 ± .381]  |                              |                             |
| 3 pole                 | 2.265 [57.53] max            | 2.290 ± .015 [58.17 ± .381]  |                              |                             |
| 4 pole                 | 3.015 [76.58] max            | 3.040 ± .015 [77.22 ± .381]  |                              |                             |
| <b>Panel Thickness</b> |                              |                              | .040 to .059 [1.02 to 1.50]  | .060 to .100 [1.52 to 2.54] |

Optional Handle Guard



Note: A: Tolerance ± .015 [.38] unless noted. Dimensions in brackets [ ] are millimeters.  
B: Bevelled face plate is standard.

**CONFIGURATIONS**

**Series Trip**

The most popular configuration for magnetic protectors is the series trip where the sensing coil and contacts are in series with the load being protected. The handle position conveniently indicates circuit status. In addition to providing conventional overcurrent protection, it's simultaneously used as an on-off switch.

**Shunt Trip**

The shunt trip is designed for controlling two separate loads with one assembly. The control is established by providing overload protection for the critical load. When the current through this load becomes excessive and reaches the trip point, the protector will open and remove power from both loads simultaneously. The total current rating of both loads must not exceed the maximum contact rating.

**Auxiliary Switch (Applies to Series Trip Only)**

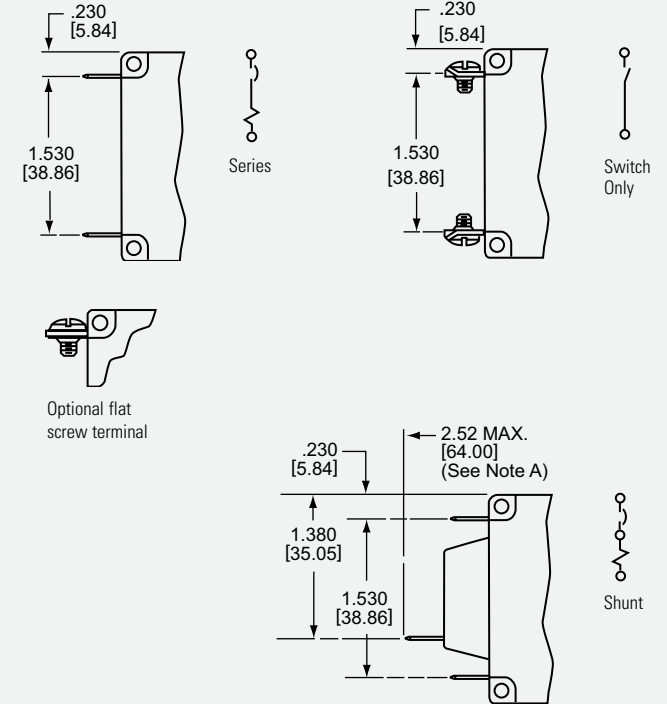
This is furnished as an integral part of a series pole in single or multi-pole assemblies. Isolated electrically from the protector's circuit, the switch works in unison with the power contacts and provides indication at a remote location of the protector's on-off status.

Auxiliary switch contacts actuate simultaneously with the main protector contacts, and will open regardless of whether the protector contacts are opened manually or electrically. For auxiliary switch ratings below 6Vac or 5Vdc, an auxiliary switch with gold contacts designated as REG is available. Gold contacts are not recommended for load current above 100 milliamps.

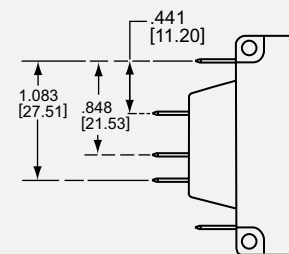
**MAIN TERMINAL TYPES**

| Amp Rating | Push-On | 8-32 Screw | M4 Screw | 10-32 Screw | M5 Screw |
|------------|---------|------------|----------|-------------|----------|
| .05 to 30  | X       | X          | X        |             |          |
| 30.1 to 50 |         |            |          | X           | X        |

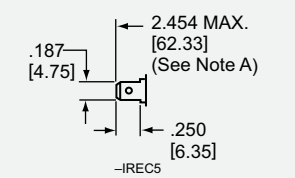
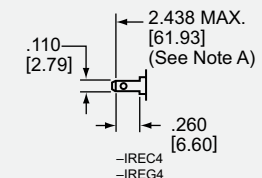
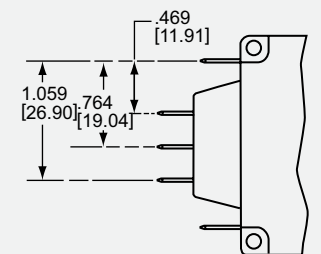
Note:  
A: Terminal protrusion dimensions are referenced from back mounting panel.  
B: Main terminals are male push-on type .250 [6.35] wide x 0.31 [.79] thick x .375 [9.53] long or 8-32 x .187 [4.75] screw type. Metric screw terminals are M4 x 5mm (<=30A); M5 x 5mm screw type (>30A). On VDE approved builds with screw terminals, external tooth lockwashers are supplied. On VDE approved builds with push-on terminals a soldered connection is required above 25 amperes.



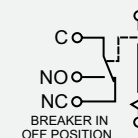
Standard Auxiliary Switch



VDE Auxiliary Switch

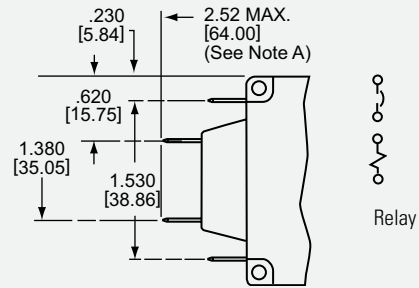


Series with Auxiliary Switch



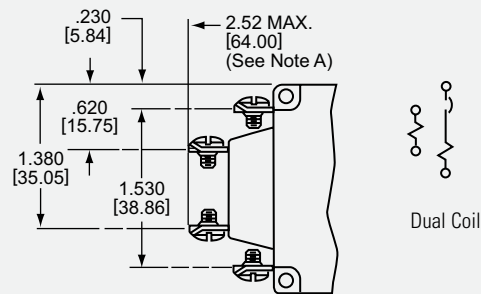
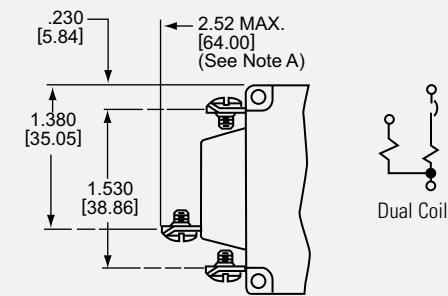
**Relay Trip**

This permits the overload sensing coil to be placed in a circuit which is electrically isolated from the trip contacts. The coil may be actuated by sensors monitoring pressure, flow, temperature, speed, etc. Other typical applications include crowbar, interlock and emergency /rapid shutdown circuitry. Trip may be accomplished by voltage or current, which must be removed after trip.



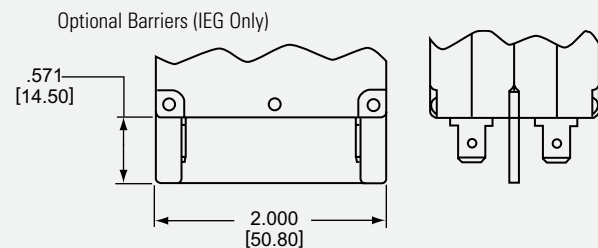
**Dual Coil**

By combining two electrically independent coils on a common magnetic circuit, it is possible to provide contact opening when either an over-current or trip voltage is applied to the respective coils. One coil will be a current trip coil with standard specifications. The second, or dual coil, can be used to provide a control function permitting contact opening from a remote interlock or other transducer functions. Standard coils are 6, 12, 24, 48, 120 and 240 volts. Tripping is instantaneous and must be removed (usually self-interrupting) after trip.



**Voltage Trip**

Sometimes called “dump circuits” or “panic trip circuits,” these units make it possible to open main power contacts with lower power inputs from one or more sources. This configuration is becoming increasingly more important for sensitive circuitry and denser packaging in automation systems. Available in series, shunt or relay configurations.



Note: Tolerance ± .015 [.38] unless noted. Dimensions in brackets [ ] are millimeters.

| TYPICAL RESISTANCE / IMPEDANCE |                |                    |                  |
|--------------------------------|----------------|--------------------|------------------|
| Current Ratings (Amps)         | Impedance      |                    |                  |
|                                | DC (ohms)      | AC, 50/60Hz (ohms) | AC, 400Hz (ohms) |
|                                | 51, 52, 53, 59 | 61, 62, 63, 69     | 41, 42, 43, 49   |
| 0.200                          | 36.6           | 34.2               | 74.2             |
| 1.00                           | 1.38           | 1.47               | 2.85             |
| 2.00                           | 0.31           | 0.25               | 0.64             |
| 5.00                           | 0.053          | 0.051              | 0.100            |
| 10.0                           | 0.016          | 0.013              | 0.027            |
| 20.0                           | 0.006          | 0.005              | 0.008            |
| 30.0                           | 0.0027         | 0.0026             | 0.004            |
| 50.0                           | 0.0019         | 0.0018             | —                |

*DCR and Impedance based on 100% rated current applied and stabilized for a minimum of one hour. Tolerance .05-2.5 amperes ± 20%; 2.6 -20 amperes ± 25%, 21-50 amperes ± 50%. Consult factory for special values and for coil impedance of delays not shown.*

**OPERATING CHARACTERISTICS**

**Inrush Pulse Tolerance**

The following table provides a comparison of inrush pulse tolerance with and without the inertial delay feature for each of the 50/60Hz delays. Pulse tolerance is defined as a single pulse of half sine wave peak current amplitude of 8 milliseconds duration that will not trip the circuit breaker. The table at left provides a guide to determine if the inertia delay feature is required. Consult factory for further assistance.

| INRUSH PULSE TOLERANCE       |                                 |
|------------------------------|---------------------------------|
| Delay                        | Pulse Tolerance                 |
| 61, 62, 63, 71, 72, 73       | 10 times rated current (approx) |
| 61F, 62F, 63F, 71F, 72F, 73F | 12 times rated current (approx) |
| 64, 65, 66                   | 25 times rated current (approx) |

| PERCENTAGE OF RATED CURRENT VS TRIP TIME IN SECONDS AT +25°C (VERTICAL MOUNT) |         |             |             |             |              |             |             |             |
|---|---------|-------------|-------------|-------------|--------------|-------------|-------------|-------------|
| Delay   | 100%    | 125%        | 150%        | 200%        | 400%         | 600%        | 800%        | 1000%       |
| 41  | No Trip | May Trip    | .500 to 8.0 | .150 to 1.9 | .020 to .40  | .006 to .25 | .004 to .1  | .004 to .05 |
| 42  | No Trip | May Trip    | 5 to 70     | 2.2 to 25   | .40 to 5.0   | .012 to 2   | .006 to .2  | .006 to .15 |
| 43  | No Trip | May Trip    | 35 to 350   | 12 to 120   | 1.5 to 20    | .012 to 2.2 | .01 to .22  | .01 to .1   |
| 49  | No Trip | May Trip    | .100 Max    | .050 Max    | .020 Max     | .020 Max    | .020 Max    | .020 Max    |
| 51*   | No Trip | .500 to 6.5 | .300 to 3.0 | .100 to 1.2 | .031 to .500 | .011 to .25 | .004 to .1  | .004 to .08 |
| 52*   | No Trip | 2 to 60     | 1.8 to 30   | 1 to 10     | .15 to 2.0   | .04 to 1    | .008 to .5  | .006 to .1  |
| 53*   | No Trip | 80 to 700   | 40 to 400   | 15 to 150   | 2 to 20      | .23 to 9    | .018 to .55 | .012 to .2  |
| 59*   | No Trip | .120 Max    | .050 Max    | .050 Max    | .022 Max     | .017 Max    | .017 Max    | .017 Max    |
| 61*   | No Trip | .700 to 12  | .35 to 7.0  | .130 to 3.0 | .030 to 1    | .015 to .3  | .01 to .15  | .008 to .1  |
| 62*   | No Trip | 10 to 120   | 6 to 60     | 2 to 20     | .2 to 3.0    | .02 to 2    | .015 to .8  | .01 to .25  |
| 63*   | No Trip | 50 to 700   | 30 to 400   | 10 to 150   | 1.5 to 20    | .4 to 10    | .013 to .85 | .013 to .5  |
| 64  | No Trip | .7 to 12    | .35 to 7    | .13 to 3    | .030 to 1    | .017 to .3  | .01 to .16  | .008 to .1  |
| 65  | No Trip | 10 to 120   | 6 to 60     | 2 to 20     | .2 to 3      | .02 to 2    | .017 to .76 | .01 to .6   |
| 66  | No Trip | 50 to 700   | 30 to 400   | 10 to 150   | 1.5 to 20    | .4 to 10    | .014 to 5   | .014 to 3   |
| 69*   | No Trip | .120 Max    | .100 Max    | .050 Max    | .022 Max     | .017 Max    | .017 Max    | .017 Max    |
| 71**  | No Trip | .440 to 10  | .300 to 7   | .100 to 3.0 | .03 to 1     | .012 to .3  | .004 to .15 | .004 to .1  |
| 72**  | No Trip | 1.8 to 100  | 1.7 to 60   | 1 to 20     | .15 to 3     | .04 to 2    | .008 to .79 | .006 to .28 |
| 73**  | No Trip | 50 to 600   | 30 to 400   | 10 to 150   | 1.8 to 20    | .22 to 10   | .018 to .88 | .011 to .50 |
| 79**  | No Trip | .120 Max    | .100 Max    | .050 Max    | .023 Max     | .016 Max    | .015 Max    | .015 Max    |

\*CEG type units are available only with 51, 52, 53 and 59 delays LEG type units are available only with 61, 62, 63 and 69 delays  
 \*\*135% minimum trip point for delays 71, 72, 73 and 79



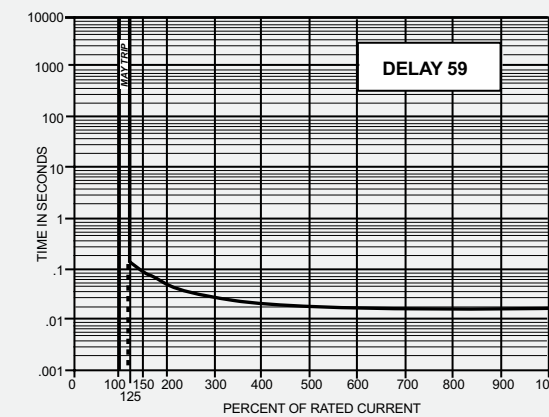
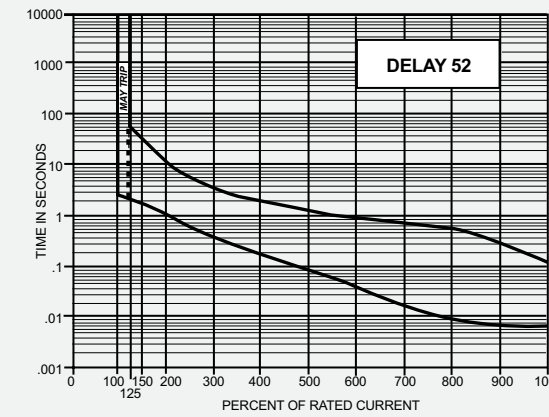
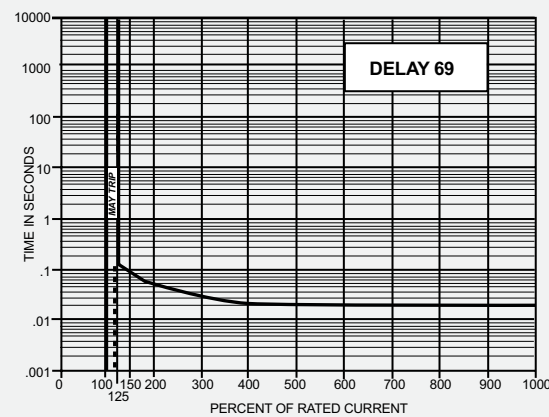
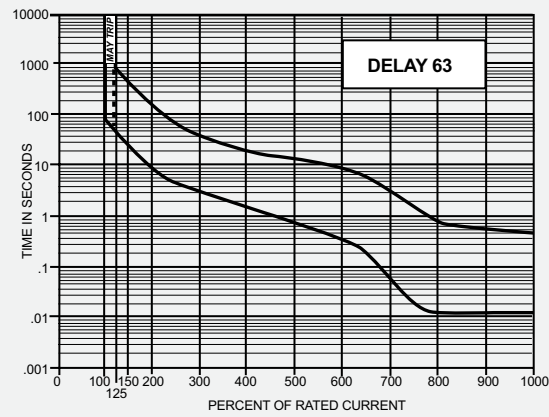
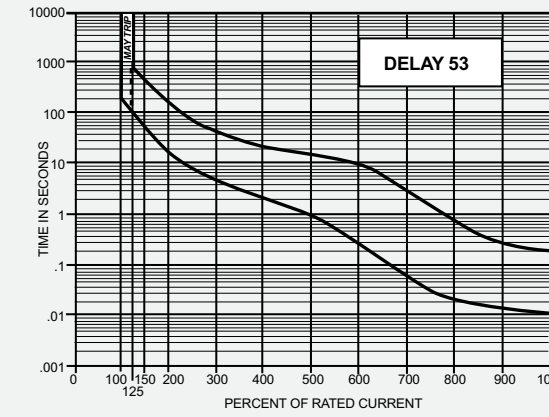
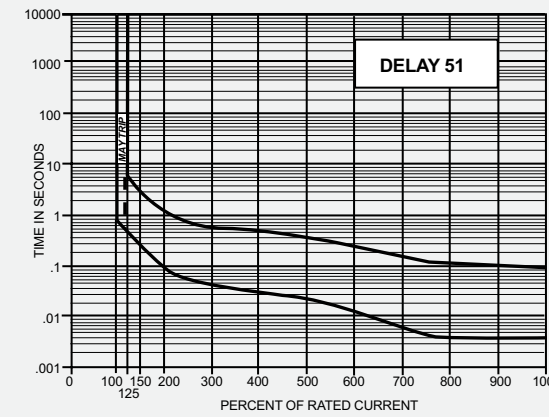
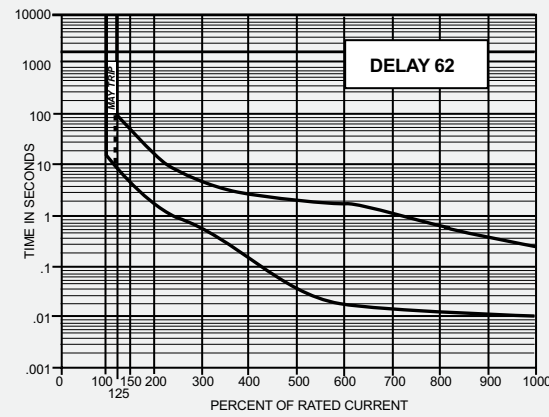
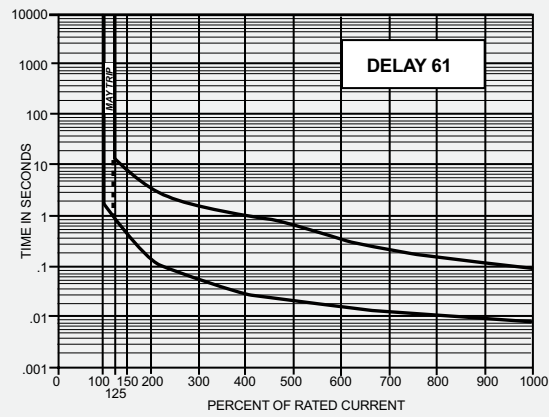
**DELAY CURVES (IAG/IUG/IEG/CEG/LEG)**

**400Hz, DC, 50/60Hz Delay Curves (typ)**

A choice of delays is offered for DC, 50/60Hz and 400Hz applications. Delays 49, 59 and 69 provide fast acting, instantaneous trip and are often used to protect sensitive electronic equipment (not recommended where known inrush exists). Delays 41, 51 and 61 have a short delay for general purpose applications. Delays 42, 52 and 62 are long enough to start certain types of motors and most transformer and capacitor loads. Delays 43, 53 and 63 are long delays for special motor applications at 400Hz, DC and 60Hz. CEG type units are only available in 51, 52, 53 and 59 delay curves. LEG type units are only available in 61, 62, 63 and 69 delay curves.

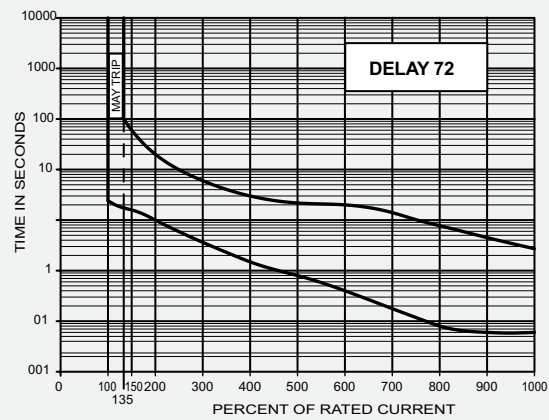
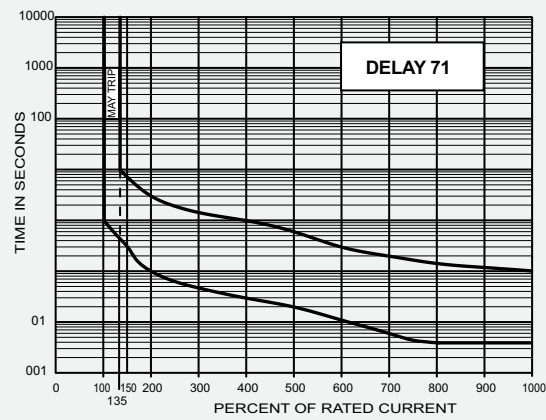
**DELAY CURVES (IAG/IUG/IEG/CEG)**

**DC Delay Curves (typ)**



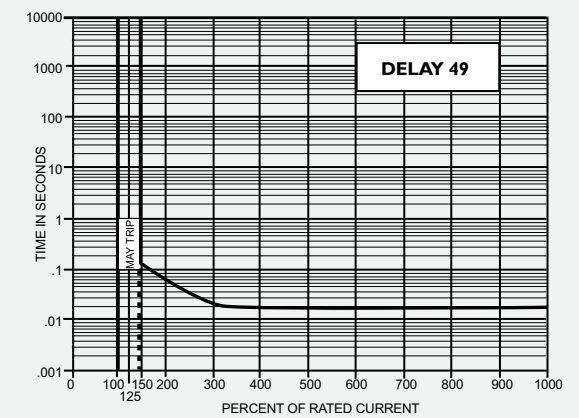
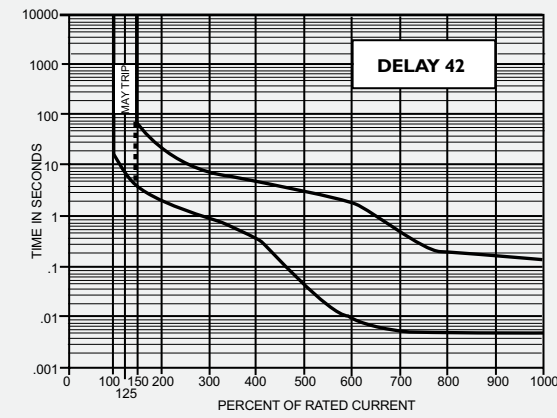
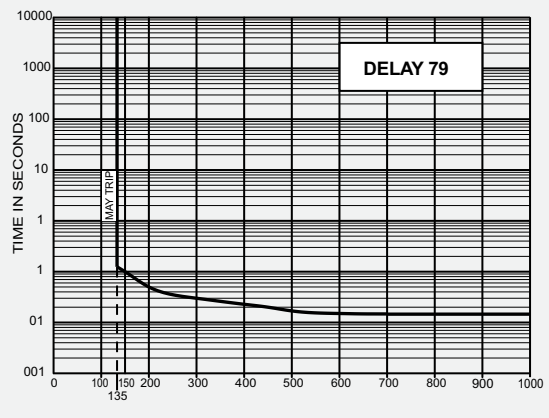
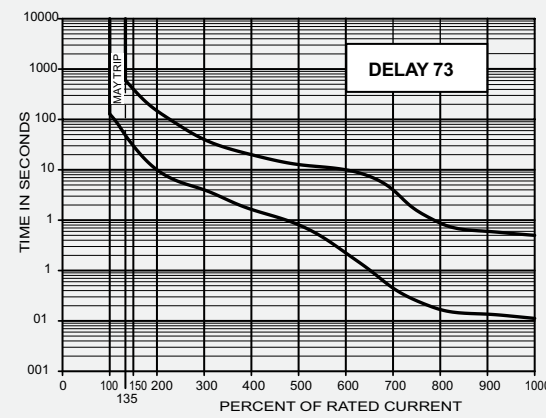
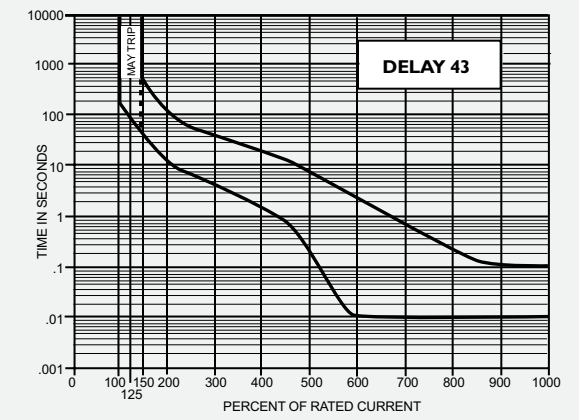
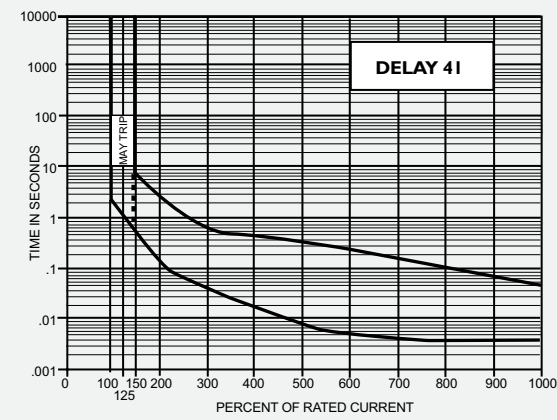
DELAY CURVES (IAG/IUG/IEG)

Multi-frequency - DC, 50/60Hz Delay Curves (typ)



DELAY CURVES (IAG/IUG/IEG)

400Hz Delay Curves (typ)



**SPECIFICATIONS**

**Trip Free**

Will trip open on overload, even when forcibly held in the ON position. This prevents the operator from damaging the circuit by holding on the protector.

**Trip Indication**

The operating handle moves positively to the OFF position on overload.

**Ambient Operation**

IAG/IUG/IEG/CEG/LEG protectors operate in temperatures between -40° C to +85° C.

**Insulation Resistance**

Not less than 100 megohms at 500 volts DC.

**Dielectric Strength**

IAG/IUG/IEG/CEG/LEG protectors withstand 3750Vac, 60Hz for 60 seconds between all electrically isolated terminals, except auxiliary switch terminals shall withstand 600Vac, 60Hz for REG and REC types. Four terminal dual coil and relay construction (not offered in the IEG) will withstand 1500Vac.

**Endurance**

Operating as a switch, the operating life exceeds 10,000 operations at a rate of 6 per minute when tested as follows: 6000 OPS @ rated current plus 4000 OPS @ at no load.

**Electrical Characteristics**

.050-50 amperes; 80Vdc Max., 240Vac Max., 50/60Hz and .050-30 amperes: 250Vac Max., 400Hz. Units above 30 amps are not suitable for across-the-line motor starting.

**Auxiliary Switch**

When supplied shall be SPDT configuration. Non VDE approved switches have a maximum UL rating of 10.0 amperes, 250 volts, 60Hz; 3.0 amperes, 50 volts DC, 1 amperes, 80 volts DC (REC) type or 0.1 amperes, 125 volts, 60Hz. (REG type).

VDE approved switches have a maximum UL rating of 10.0 amperes, 250 volts, 60Hz, 1 amperes, 80 volts DC (REG type); or 0.1 amperes, 125 volts, 60Hz (REG type); or 0.1 amperes, 125 volts, 60Hz (REG type).

**Moisture Resistance**

Meets all the requirements of MIL-PRF-55629 when tested in accordance with Method 106 of MIL-STD-202.

**Salt Spray (Corrosion)**

Meets the requirements of MIL-PRF-55629 when tested in accordance with Method 101 of MIL-STD-202.

**Shock**

Circuit protectors shall not trip when tested per MIL-STD-202, Method 213, Test Condition I with 100% rated current applied to delayed units, except 90% current in plane 4 (i.e., handle down). Instantaneous units shall have 80% rated current applied in all planes.

**Construction**

Series, shunt, relay and series with auxiliary switch available in various delays and combinations.

**Vibration**

Circuit protector shall not trip when vibrated per MIL-STD-202, Method 204, Test Condition A with 100% rated current applied to delayed units and 80% rated current to instantaneous units.

**VDE Approval**

IEG is VDE approved under VDE 0642 (EN60934). The IEG has 8mm creepage and clearance between the main circuit and the following areas:

- A. Operator accessible area around the handle.
- B. The mounting inserts or brackets.
- C. The auxiliary switch circuit.
- D. Between poles.

Care must be taken to maintain spacings at the terminals when wired. The VDE approval for standard terminals is not for use with bare wire. A crimp type lug is required. In addition, all VDE approved units will be in compliance with specific CE Directives. These units will be marked as CE Compliant.

**UL1500 (Marine Ignition Protected)**

IDG/IDGH is approved for Marine Ignition Protection

**UL489A Listed**

The CEG is dimensionally the same as the popular IEG, but provides UL listing to UL489A. Available in one to three poles, in series, series with auxiliary switch, shunt, dual coil and voltage trip configurations. As a circuit breaker, the CEG provides communication equipment manufacturers with a UL listed circuit breaker in a very compact package that meets the stringent environmental requirements of today's marketplace. This makes the CEG ideal for switching, transmission and wireless applications.

**UL489 Listed**

The LEG is dimensionally the same as the popular IEG, but provides UL listing to UL489. Available with one or two poles, in series, series with auxiliary switch, shunt and three-terminal dual coil configurations. As a circuit breaker, the LEG provides equipment manufacturers with a UL listed magnetic hydraulic circuit breaker in the most compact package available on the market.

| APPROXIMATE WEIGHT PER POLE (1 TO 6 POLES AVAILABLE) |       |
|--|-------|
| Ounces   | Grams |
| 2.2  | 62.4  |

| RECOMMENDED TORQUE SPECIFICATIONS |                 |
|-----------------------------------|-----------------|
| Component                         | Torque (in-lbs) |
| 6-32 Mounting Inserts             | 6 to 8          |
| M3 Mounting Screws                | 4 to 5          |
| 8-32 Screw Terminals              | 10 to 12        |
| M4 Terminal Screws                | 10 to 12        |
| 10-32 Screw Terminals             | 14 to 15        |
| M5 Screw Terminals                | 14 to 15        |
| 1/2 - 32 Mounting Bushing         | 30 to 35        |

*Where applicable, mechanical support must be provide to the terminals when applying torque*

**AGENCY APPROVALS**

| IAG/IUG/IEG Supplementary Protectors |                |       |               | Rated Current (Amps) |           | Short Circuit Rating (SC), Amps |      |
|--------------------------------------|----------------|-------|---------------|----------------------|-----------|---------------------------------|------|
| Max Voltage                          | Frequency (Hz) | Phase | Minimum Poles | UL/CSA               | TÜV       | UL1077 & CSA                    | TÜV  |
| 80                                   | DC             | —     | 1             | .02 to 50            | .10 to 30 | U2, 7500                        | 4000 |
| 125                                  | 50/60          | 1     | 1             | .02 to 50            | —         | U2, 3000                        | —    |
| 125                                  | 50/60          | 1     | 1             | .02 to 30            | —         | C1, 5000(3)                     | —    |
| 125                                  | 50/60          | 1     | 1             | .02 to 50            | —         | U3, 1000                        | —    |
| 125 / 250                            | 50/60          | 1     | 2             | .02 to 50            | —         | U1, 3000                        | —    |
| 125 / 250                            | 50/60          | 1     | 1             | 2/1 - 30/15          | —         | C2, 5000(1)                     | —    |
| 240                                  | 50/60          | 1 & 3 | 1             | .02 to 50            | —         | U1, 2000                        | —    |
| 240                                  | 50/60          | 1 & 3 | 1             | .02 to 50            | —         | C2, 5000(1)                     | —    |
| 250                                  | 50/60          | 1     | 1             | .02 to 2             | —         | U2, 5000                        | —    |
| 250                                  | 50/60          | 1 & 3 | 1             | .02 to 30            | .10 to 50 | U1, 2000                        | 2000 |
| 250                                  | 50/60          | 1 & 3 | 1             | .02 to 30            | —         | C2, 3500(2)                     | —    |
| 250 (4)                              | 50/60          | 1 & 3 | 1             | .02 to 30            | —         | C1, 3500(2)                     | —    |
| 250 (4)                              | 50/60          | 1 & 3 | 1             | .02 to 30            | —         | U1, 1000                        | —    |
| 250 (5)                              | 50/60          | 1     | 2             | .02 to 50            | —         | U3, 1000                        | —    |
| 250 (5)                              | 50/60          | 3     | 3             | .02 to 50            | —         | U3, 1000                        | —    |
| 277                                  | 50/60          | 1     | 1             | .02 to 30            | —         | U2, 2000                        | —    |
| 277                                  | 50/60          | 1     | 1             | .02 to 30            | —         | C2, 5000(2)                     | —    |
| 250                                  | 400            | 1 & 3 | 1             | .02 to 30            | —         | U2, 1500                        | —    |
| 250                                  | 400            | 3     | —             | .02 to 30            | —         | U3, 200                         | —    |

| IDG Supplementary Protectors |                |       |               |        |     |              |     |
|------------------------------|----------------|-------|---------------|--------|-----|--------------|-----|
| Max Voltage                  | Frequency (Hz) | Phase | Minimum Poles | UL/CSA | TÜV | UL1077 & CSA | TÜV |
| 48                           | DC             | —     | 1             | .02-50 | —   | U2, 5000     | —   |
| 65                           | DC             | —     | 1             | .02-50 | —   | U2, 3000     | —   |
| 125                          | 50/60          | 1     | 1             | .02-50 | —   | U2, 2000     | —   |
| 125/250                      | 50/60          | 1     | 2             | .02-50 | —   | U2, 1500     | —   |
| 250                          | 50/60          | 1 & 3 | 1             | .02-30 | —   | U1, 1000     | —   |

| CEG Communications Equipment Circuit Breakers |                |       |               |        |     |        |     |
|---|----------------|-------|---------------|--------|-----|--------|-----|
| Max Voltage                                   | Frequency (Hz) | Phase | Minimum Poles | UL/CSA | TÜV | UL489A | TÜV |
| 80  | DC             | —     | 1             | .05-50 | —   | 5000   | —   |

| LEG Circuit Breakers |                |       |               |        |        |       |      |
|----------------------|----------------|-------|---------------|--------|--------|-------|------|
| Max Voltage          | Frequency (Hz) | Phase | Minimum Poles | UL/CSA | TÜV    | UL489 | TÜV  |
| 125                  | 50/60          | 1     | 1             | .05-30 | .10-30 | 5000  | 2000 |
| 120/240              | 50/60          | 1     | 2             | 1-30   | .10-30 | 5000  | 2000 |

Notes: (1) With 125 A max. series fuse; (2) With 80 A max. series fuse; (3) With 50 A max. circuit breaker; (4) With blocked vent construction; (5) Non-standard construction. "Fit for further use" approval

General notes:

All supplementary protectors are of the overcurrent (OC) type  
 The family of protectors has been evaluated for end use application for use groups (UG) A, B, C and D  
 The terminals (FW) are suitable for factory wiring only (0)  
 The maximum voltage ratings for which the protectors have been tested are shown in the chart  
 The current is the amperage range that the protectors have been tested  
 The tripping current (TC) for all of the protectors is "1" (in the range of 125% to 135% of ampere rating except for the 400Hz protectors which is "2" (more than 135% of ampere rating)  
 The overload rating (OL) - designates whether the protector has been tested for general use or motor starting applications.

0 - tested at 1.5 times amp rating for general use  
 1 - tested at 6 times AC rating or 10 times DC rating for motor starting  
 The short circuit current rating (SC) - The short circuit rating in amperes following a letter and number designating the test conditions and any calibration following the short circuit test is defined below:  
 C - Indicates short circuit test was conducted with series overcurrent protection  
 U - Indicates short circuit test was conducted without series overcurrent protection  
 1 - Indicates a recalibration was not conducted as part of the short circuit testing  
 2 - Indicates a recalibration was performed as part of the short circuit testing  
 3 - Indicates recalibration was performed along with the dielectric and voltage withstand for "Suitable for Further Use" rating

### IAG / IUG / IEG / CEG DECISION TABLES

The ordering code for IAG/IUG/IEG/CEG/IDG circuit protectors may be determined by following the decision steps in the tables shown here.

The coding given permits a self-assigning part number but with certain limitations. Special applications may require a factory-assigned part number. Typical examples are units with mixed ratings, combinations of styles, or constructions not listed in the third decision table. With these, it is suggested that order entry be by description and/or drawings and a part number will be established. Additionally, it is standard policy to establish a factory-assigned part number whenever a descriptive drawing exists to provide cross reference, traceability and manufacturing control.

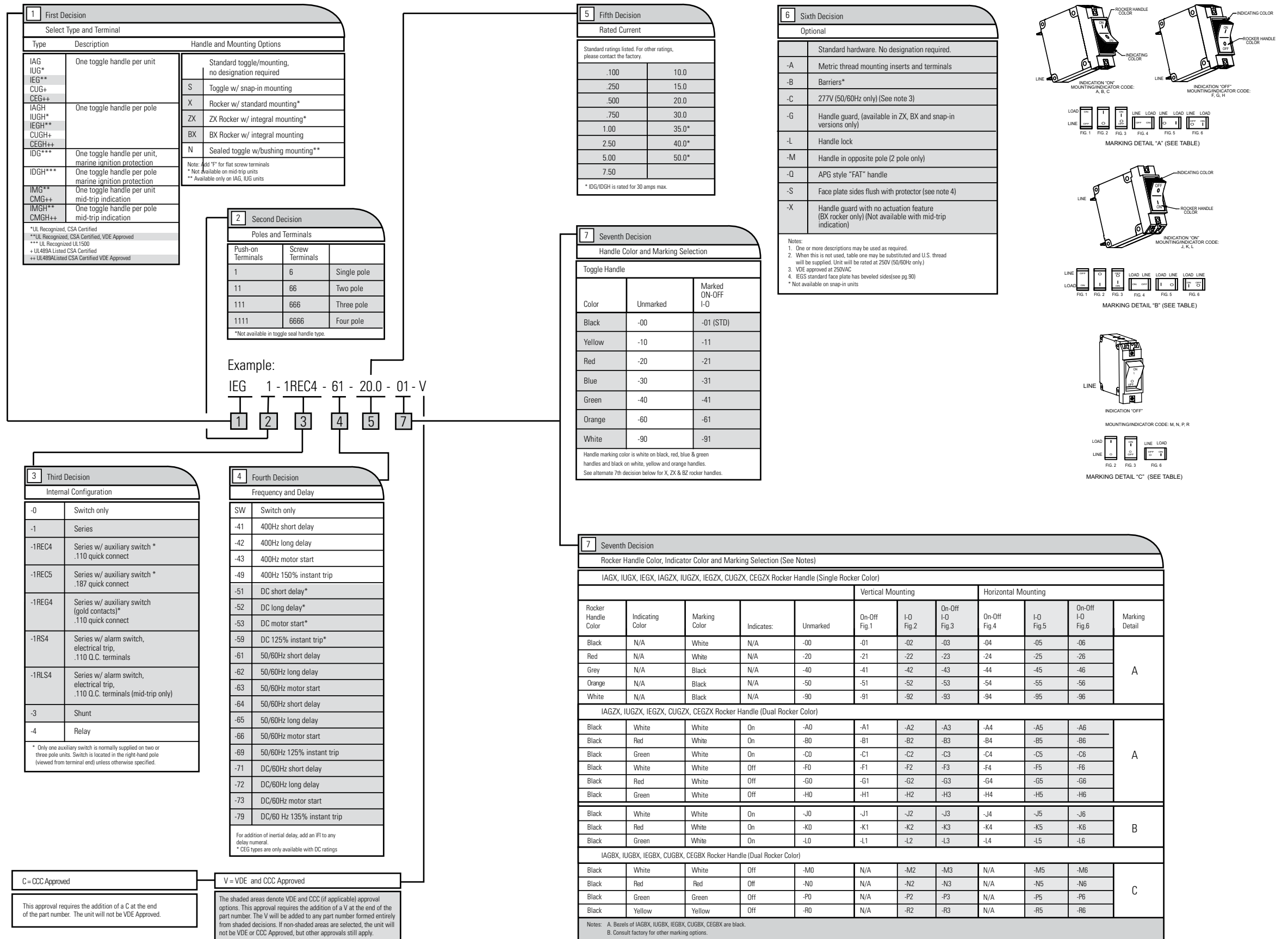
When specifying a circuit protector for AC motor start or high inrush applications, the peak amplitude and surge duration should be specified for factory assistance in rating selection.

For example, the following is the code for a single pole, IEG quick-connect type terminal, series unit with auxiliary switch, designed for operation in a 50/60Hz circuit. It has a short time delay, a rating of 20 amperes, a black marked handle and is VDE approved.

To determine the ordering number for your particular IAG/IUG/IEG/CEG unit, simply follow the steps shown. You may use this number to place an order or as a reference for further questions you may have.

#### Notes:

- A. It is recommended that power leads be soldered to circuit protectors having push-on type terminals for current trip ratings above 20 amperes.
- B. When "A" (metric thread mounting) is specified in the sixth decision in combination with screw terminal option in the second decision, metric screw terminals are supplied.
- C. IEG, IEGH, IEGS, IEGHS, IEGX and IEGZX circuit protectors are designed to meet 8mm creepage and clearance requirements for installation Category III, Pollution Degree 3, Case A as measured in IEC 664. Intended for use in equipment designed to comply with IEC 601 and 950 and VDE 0804 and 0805.



LEG DECISION TABLES

The ordering code for LEG circuit breakers may be determined by following the decision steps in the tables shown here.

The coding given permits a self-assigning part number but with certain limitations. Special applications may require a factory-assigned part number. Typical examples are units with mixed ratings, combinations of styles, or constructions not listed in the third decision table. With these, it is suggested that order entry be by description and/or drawings and a part number will be established. Additionally, it is standard policy to establish a factory-assigned part number whenever a descriptive drawing exists to provide cross reference, traceability and manufacturing control.

When specifying a circuit breaker for AC motor start or high inrush applications, the peak amplitude and surge duration should be specified for factory assistance in rating selection.

For example, the following is the code for a single pole, LEG screw type terminal, series unit with auxiliary switch, designed for operation in a 50/60Hz circuit. It has a short time delay, a rating of 20 amperes, a black marked handle and is VDE approved.

To determine the ordering number for your particular LEG unit, simply follow the steps shown. You may use this number to place an order or as a reference for further questions you may have.

- Notes:
- A. When "A" (metric thread mounting) is specified in the sixth decision in combination with screw terminal option in the second decision, metric screw terminals are supplied.
  - B. LEG, LEGH, LEGS, LEGHS, LEGZX and LEGBX circuit breakers are designed to meet 8mm creepage and clearance requirements for installation Category III, Pollution Degree 3, Case A as measured in IEC 664. Intended for use in equipment designed to comply with IEC 601 and 950 and VDE 0804 and 0805.

**1 First Decision**

Select Type and Terminal

| Type | Description                                    | Handle and Mounting Options                       |
|------|--|---|
| LEG  | One toggle handle per unit                     | Standard toggle/mounting, no designation required |
| LMG  | One toggle handle per unit mid-trip indication | S Toggle w/ snap-in mounting                      |
| LEGH | One toggle handle per pole                     | ZX ZX Rocker w/ integral mounting*                |
| LMGH | One toggle handle per pole mid-trip indication | BX BX Rocker w/ integral mounting                 |

Note: All types are UL489 listed, CUL certified

Note: Add "F" for flat screw terminals  
\* Not available on mid-trip units

**2 Second Decision**

Poles and Terminals

| Push-on Terminals | Screw Terminals |             |
|-------------------|-----------------|-------------|
| 1                 | 6               | Single pole |
| 11                | 66              | Two pole    |

\*Not available in toggle seal handle type.

**3 Third Decision**

Internal Configuration

| -1     | Series   |
|--------|--|
| -1REC4 | Series w/ auxiliary switch * .110 quick connect                              |
| -1REC5 | Series w/ auxiliary switch * .187 quick connect                              |
| -1REG4 | Series w/ auxiliary switch* (gold contacts) .110 quick connect               |
| -1RS4  | Series w/ alarm switch*, electrical trip, .110 Q.C. terminals                |
| -1RLS4 | Series w/ alarm switch*, electrical trip, mid-trip only, .110 Q.C. terminals |
| -3     | Shunt  |

\* Only one auxiliary switch is normally supplied on two pole units. Switch is located in the right-hand pole (viewed from terminal end) unless otherwise specified.

**4 Fourth Decision**

Frequency and Delay

|     |                           |
|-----|---------------------------|
| -61 | 50/60Hz short delay       |
| -62 | 50/60Hz long delay        |
| -63 | 50/60Hz motor start       |
| -69 | 50/60Hz 125% instant trip |

For addition of inertial delay, add an "I" to any delay numeral.  
\* CEG types are only available with DC ratings

V = VDE Approved

The shaded areas denote VDE Approval options. This approval requires the addition of a V at the end of the part number. The V will be added to any part number formed entirely from shaded decisions. If non-shaded areas are selected, the unit will not be VDE Approved, but other approvals still apply.

C = CCC Approved

This approval requires the addition of a C at the end of the part number. The unit will not be VDE Approved.

**5 Fifth Decision**

Rated Current

Use three numbers to print required current value between .100 amps minimum and 30.0 amps maximum.

For example, use:  
100 or 2.00 or 10.0

**6 Sixth Decision**

Optional

|     |   |
|-----|---|
| -A  | Metric thread mounting inserts and terminals                  |
| -G  | Handle guard, (available in ZX, BX and snap-in versions only) |
| -L  | Handle lock   |
| -S  | Face plate sides flush with breaker                           |
| -X* | Handle guard with no actuation feature (BX rocker only)       |
| -Z  | "Z" Barriers  |

Notes:  
1. One or more descriptions may be used as required.  
2. When this is not used, table one may be substituted and U.S. thread will be supplied. Unit will be rated at 250V (50/60Hz only).  
3. LEGS standard face plate has beveled sides(see pg. 90)  
\* Not available on mid-trip units

**7 Seventh Decision**

Handle Color and Marking Selection

| Toggle Handle | Color | Unmarked  | Marked ON-OFF I-O |
|---------------|-------|-----------|-------------------|
| Black         | -00   | -01 (STD) |                   |
| Yellow        | -10   | -11       |                   |
| Red           | -20   | -21       |                   |
| Blue          | -30   | -31       |                   |
| Green         | -40   | -41       |                   |
| Orange        | -60   | -61       |                   |
| White         | -90   | -91       |                   |

Handle marking color is white on black, red, blue & green handles and black on white, yellow and orange handles. See alternate 7th decision below for ZX & BX rocker handles.

**7 Seventh Decision**

Rocker Handle Color, Indicator Color and Marking Selection (See Note)

| LEGZX Rocker Handle (Single Rocker Color) |                  |               |            | Vertical Mounting |              |           | Horizontal Mounting |              |           | Marking Detail |                  |
|---|------------------|---------------|------------|-------------------|--------------|-----------|---------------------|--------------|-----------|----------------|------------------|
| Rocker Handle Color                       | Indicating Color | Marking Color | Indicates: | Unmarked          | On-Off Fig.1 | I-O Fig.2 | On-Off I-O Fig.3    | On-Off Fig.4 | I-O Fig.5 |                | On-Off I-O Fig.6 |
| Black                                     | N/A              | White         | N/A        | -00               | -01          | -02       | -03                 | -04          | -05       | -06            | A                |
| Red                                       | N/A              | White         | N/A        | -20               | -21          | -22       | -23                 | -24          | -25       | -26            |                  |
| Grey                                      | N/A              | Black         | N/A        | -40               | -41          | -42       | -43                 | -44          | -45       | -46            |                  |
| Orange                                    | N/A              | Black         | N/A        | -50               | -51          | -52       | -53                 | -54          | -55       | -56            |                  |
| White                                     | N/A              | Black         | N/A        | -90               | -91          | -92       | -93                 | -94          | -95       | -96            |                  |
| LEGZX Rocker Handle (Dual Rocker Color)   |                  |               |            | Vertical Mounting |              |           | Horizontal Mounting |              |           | A              |                  |
| Black                                     | White            | White         | On         | -A0               | -A1          | -A2       | -A3                 | -A4          | -A5       |                | -A6              |
| Black                                     | Red              | White         | On         | -B0               | -B1          | -B2       | -B3                 | -B4          | -B5       |                | -B6              |
| Black                                     | Green            | White         | On         | -C0               | -C1          | -C2       | -C3                 | -C4          | -C5       |                | -C6              |
| Black                                     | White            | White         | Off        | -F0               | -F1          | -F2       | -F3                 | -F4          | -F5       |                | -F6              |
| Black                                     | Red              | White         | Off        | -G0               | -G1          | -G2       | -G3                 | -G4          | -G5       |                | -G6              |
| Black                                     | Green            | White         | Off        | -H0               | -H1          | -H2       | -H3                 | -H4          | -H5       | -H6            | B                |
| Black                                     | White            | White         | On         | -J0               | -J1          | -J2       | -J3                 | -J4          | -J5       | -J6            |                  |
| Black                                     | Red              | White         | On         | -K0               | -K1          | -K2       | -K3                 | -K4          | -K5       | -K6            |                  |
| Black                                     | Green            | White         | On         | -L0               | -L1          | -L2       | -L3                 | -L4          | -L5       | -L6            |                  |
| LEGBX Rocker Handle (Dual Rocker Color)   |                  |               |            | Vertical Mounting |              |           | Horizontal Mounting |              |           | C              |                  |
| Black                                     | White            | White         | Off        | -M0               | N/A          | -M2       | -M3                 | N/A          | N/A       |                | -M6              |
| Black                                     | Red              | Red           | Off        | -N0               | N/A          | -N2       | -N3                 | N/A          | N/A       |                | -N6              |
| Black                                     | Green            | Green         | Off        | -P0               | N/A          | -P2       | -P3                 | N/A          | N/A       |                | -P6              |
| Black                                     | Yellow           | Yellow        | Off        | -R0               | N/A          | -R2       | -R3                 | N/A          | N/A       | -R6            |                  |

Notes: A. Bezels of LEGBX are black.  
B. Consult factory for other marking options.

IAG/IUG/IEG/CEG/LEG

125

LEG Series - Decision Tables

<http://airpax.sensata.com/>

<http://airpax.sensata.com/>

LEG Series - Decision Tables

126

*This document is generated from the AIRPAX™ full-line catalog #2455005000 printed in USA, January 2011*

## BUSINESS CENTERS

---

### **Sensata Technologies**

807 Woods Road  
Cambridge, MD 21613, USA  
Phone: +1 410-228-1500  
Brands: Airpax™

### **Sensata Technologies Inc.**

529 Pleasant Street  
Attleboro, MA 02703, USA  
Phone: +1 508-236-3287  
Brands: Klixon™, Sensata Technologies™

### **Sensata Technologies**

4467 White Bear Lake Parkway  
St. Paul, MN 55110, USA  
Phone: +1 800-553-6418  
Brands: Dimensions™

### **Sensata Technologies Holland B.V.**

Kolthofsingel 8  
7602 EM Almelo, The Netherlands  
Phone: +31 546 87 95 55  
Brands: Klixon™, Sensata Technologies™

### **Sensata Technologies China Co., Ltd.**

Novel Plaza, 8th Floor  
128 Nanjing Road West  
Shanghai, 20003  
People's Republic of China  
Phone: +86 21 23061500  
Brands: Klixon™, Sensata Technologies™

### **Sensata Technologies Korea Ltd.**

29F, Trade Tower  
159-1 SamSung-Dong, KangNam-Ku, Seoul  
135-729, Korea  
Phone: +81-2-551-2918  
Brands: Klixon™, Sensata Technologies™

### **Sensata Technologies Japan Ltd.**

305, Tanagashira  
Oyama-cho, Sunto-gun, Shizuoka-ken  
Japan, 410-1396  
Phone: +81 550 78 1211  
Brands: Klixon™, Sensata Technologies™

### **Sensata Technologies Nihon-Airpax**

6-3, Chi Yoda 5 Chome  
Saitama-Ken  
Japan, 350-0214  
Phone: +81 492 83 7575  
Brands: Airpax™



Important Notice: Sensata Technologies (Sensata) reserves the right to make changes to or discontinue any product or service identified in this publication without notice. Sensata advises its customers to obtain the latest version of the relevant information to verify, before placing any orders, that the information being relied upon is current. Sensata assumes no responsibility for infringement of patents or rights of others based on Sensata applications assistance or product specifications since Sensata does not possess full access concerning the use or application of customers' products. Sensata also assumes no responsibility for customers' product designs.

<http://airpax.sensata.com/>