



Chipsmall Limited consists of a professional team with an average of over 10 year of expertise in the distribution of electronic components. Based in Hongkong, we have already established firm and mutual-benefit business relationships with customers from,Europe,America and south Asia,supplying obsolete and hard-to-find components to meet their specific needs.

With the principle of "Quality Parts,Customers Priority,Honest Operation,and Considerate Service",our business mainly focus on the distribution of electronic components. Line cards we deal with include Microchip,ALPS,ROHM,Xilinx,Pulse,ON,Everlight and Freescale. Main products comprise IC,Modules,Potentiometer,IC Socket,Relay,Connector.Our parts cover such applications as commercial,industrial, and automotives areas.

We are looking forward to setting up business relationship with you and hope to provide you with the best service and solution. Let us make a better world for our industry!



Contact us

Tel: +86-755-8981 8866 Fax: +86-755-8427 6832

Email & Skype: info@chipsmall.com Web: www.chipsmall.com

Address: A1208, Overseas Decoration Building, #122 Zhenhua RD., Futian, Shenzhen, China



International Flathead™ Low Profile Transformers • Printed Circuit Mount

For Critical Height and International Safety Requirements



Signal's IF transformers utilize unique insulating techniques including full encapsulation to meet international safety requirements. These transformers are ideal for low power applications where minimum height and reduced magnetic radiation are required.

General Specifications

- Power - 2 VA to 30 VA
- Dielectric Strength - 4000 Vrms Hipot
- Dual Primaries - 115/230 V, 50/60 Hz
- Dual Secondaries - Series or parallel
- Height - 0.69" to 1.39" (17.5 mm to 35.3 mm) height
- Insulation System - Class B, 130° C

Agency Certifications

- UL 1446 (E66312)
- UL recognized to UL 506 / UL 5085-2, File # E63829
- CSA certified to C22.2 #66.1, File # 221070
- VDE certified to VDE 0805 / EN 60950, File # 8325



Part Number	VA		Secondary RMS Rating	
	Size	Series	Parallel	
IF-2-10	2	10VCT @ 200mA	5V @ 400mA	
IF-2-12	2	12VCT @ 170mA	6V @ 340mA	
IF-2-16	2	16VCT @ 125mA	8V @ 250mA	
IF-2-20	2	20VCT @ 100mA	10V @ 200mA	
IF-2-24	2	24VCT @ 85mA	12V @ 170mA	
IF-2-30	2	30VCT @ 70mA	15V @ 140mA	
IF-2-34	2	34VCT @ 60mA	17V @ 120mA	
IF-2-40	2	40VCT @ 50mA	20V @ 100mA	
IF-2-56	2	56VCT @ 40mA	28V @ 80mA	
IF-2-230	2	230VCT @ 9 mA	115V @ 18mA	
IF-4-10	4	10VCT @ 400 mA	5V @ 800mA	
IF-4-12	4	12VCT @ 335mA	6V @ 670mA	
IF-4-16	4	16VCT @ 250mA	8V @ 500mA	
IF-4-20	4	20VCT @ 200mA	10V @ 400mA	
IF-4-24	4	24VCT @ 170mA	12V @ 340mA	
IF-4-30	4	30VCT @ 135mA	15V @ 270mA	
IF-4-34	4	34VCT @ 120mA	17V @ 240mA	
IF-4-40	4	40VCT @ 100mA	20V @ 200mA	
IF-4-56	4	56VCT @ 70mA	28V @ 140mA	
IF-4-230	4	230VCT @ 18mA	115V @ 36mA	
IF-6-10	6	10VCT @ 600mA	5V @ 1.20A	
IF-6-12	6	12VCT @ 500mA	6V @ 1.00A	
IF-6-16	6	16VCT @ 375mA	8V @ 750mA	
IF-6-20	6	20VCT @ 300mA	10V @ 600mA	
IF-6-24	6	24VCT @ 250mA	12V @ 500mA	
IF-6-30	6	30VCT @ 200mA	15V @ 400mA	
IF-6-34	6	34VCT @ 180mA	17V @ 360mA	
IF-6-40	6	40VCT @ 150mA	20V @ 300mA	
IF-6-56	6	56VCT @ 110mA	28V @ 220mA	
IF-6-230	6	230VCT @ 25mA	115V @ 50mA	
IF-10-10	10	10VCT @ 1.00A	5V @ 2.00A	
IF-10-12	10	12VCT @ 835mA	6V @ 1.67A	
IF-10-16	10	16VCT @ 625mA	8V @ 1.25A	
IF-10-20	10	20VCT @ 500mA	10V @ 1.00A	
IF-10-24	10	24VCT @ 420mA	12V @ 840mA	
IF-10-30	10	30VCT @ 335mA	15V @ 670mA	
IF-10-34	10	34VCT @ 300mA	17V @ 600mA	
IF-10-40	10	40VCT @ 250mA	20V @ 500mA	
IF-10-56	10	56VCT @ 180mA	28V @ 360mA	
IF-10-230	10	230VCT @ 45mA	115V @ 90mA	

Part Number	VA		Secondary RMS Rating	
	Size	Series	Parallel	
IF-14-10	14	10VCT @ 1.40A	5V @ 2.80A	
IF-14-12	14	12VCT @ 1.20A	6V @ 2.40A	
IF-14-16	14	16VCT @ 875mA	8V @ 1.75A	
IF-14-20	14	20VCT @ 700mA	10V @ 1.40A	
IF-14-24	14	24VCT @ 600mA	12V @ 1.20A	
IF-14-30	14	30VCT @ 470mA	15V @ 940mA	
IF-14-34	14	34VCT @ 415mA	17V @ 830mA	
IF-14-40	14	40VCT @ 350mA	20V @ 700mA	
IF-14-56	14	56VCT @ 250mA	28V @ 500mA	
IF-14-230	14	230VCT @ 60mA	115V @ 120mA	
IF-18-10	18	10VCT @ 1.80A	5V @ 3.60A	
IF-18-12	18	12VCT @ 1.50A	6V @ 3.00A	
IF-18-16	18	16VCT @ 1.15A	8V @ 2.30A	
IF-18-20	18	20VCT @ 900mA	10V @ 1.80A	
IF-18-24	18	24VCT @ 750mA	12V @ 1.50A	
IF-18-30	18	30VCT @ 600mA	15V @ 1.20A	
IF-18-34	18	34VCT @ 530mA	17V @ 1.06A	
IF-18-40	18	40VCT @ 450mA	20V @ 900mA	
IF-18-56	18	56VCT @ 320mA	28V @ 640mA	
IF-18-230	18	230VCT @ 80mA	115V @ 160mA	
IF-24-10	24	10VCT @ 2.40A	5V @ 4.80A	
IF-24-12	24	12VCT @ 2.00A	6V @ 4.00A	
IF-24-16	24	16VCT @ 1.50A	8V @ 3.00A	
IF-24-20	24	20VCT @ 1.20A	10V @ 2.40A	
IF-24-24	24	24VCT @ 1.00A	12V @ 2.00A	
IF-24-30	24	30VCT @ 800mA	15V @ 1.60A	
IF-24-34	24	34VCT @ 700mA	17V @ 1.40A	
IF-24-40	24	40VCT @ 600mA	20V @ 1.20A	
IF-24-56	24	56VCT @ 430mA	28V @ 860mA	
IF-24-230	24	230VCT @ 105mA	115V @ 210mA	
IF-30-10	30	10VCT @ 3.00A	5V @ 6.00A	
IF-30-12	30	12VCT @ 2.50A	6V @ 5.00A	
IF-30-16	30	16VCT @ 1.90A	8V @ 3.80A	
IF-30-20	30	20VCT @ 1.50A	10V @ 3.00A	
IF-30-24	30	24VCT @ 1.25A	12V @ 2.50A	
IF-30-30	30	30VCT @ 1.00A	15V @ 2.00A	
IF-30-34	30	34VCT @ 900mA	17V @ 1.80A	
IF-30-40	30	40VCT @ 750mA	20V @ 1.50A	
IF-30-56	30	56VCT @ 550mA	28V @ 1.10A	
IF-30-230	30	230VCT @ 130mA	115V @ 260mA	

Custom versions available upon request.

©2015 Signal Transformer Inc. Specifications subject to change without notice. 07.15

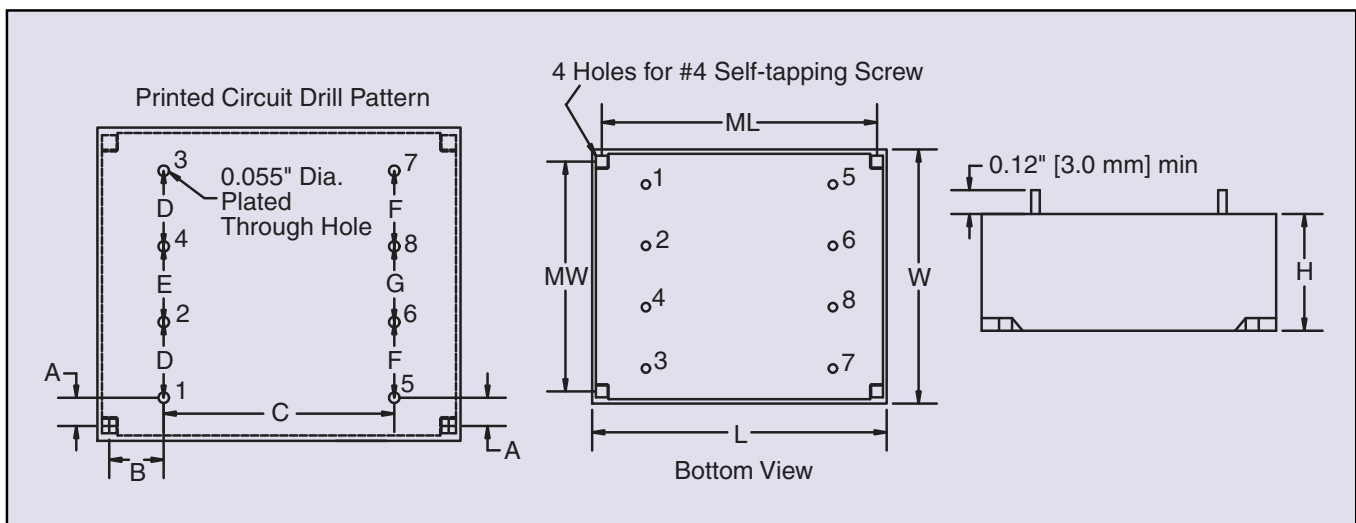
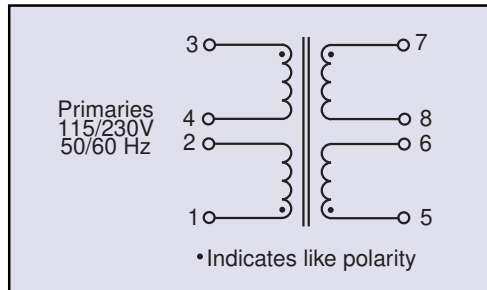


www.signaltransformer.com

500 Bayview Avenue, Inwood, NY 11096
 Toll Free 866-239-5777 • Tel 516-239-5777 • Fax 516-239-7208
 sales@signaltransformer.com • techhelp@signaltransformer.com

International Flathead™ Low Profile Transformers • Printed Circuit Mount

For Critical Height and International Safety Requirements



VA	L	W	H	ML	MW	A	B	C	D	E	F	G	Weight
Size	Inches (mm)												oz (kg)
2	2.09 (53.0)	1.73 (44.0)	0.69 (17.6)	1.87 (47.5)	1.48 (37.5)	0.05 (1.3)	0.25 (6.3)	1.38 (35.0)	0.39 (10.0)	0.39 (10.0)	0.59 (15.0)	0.19 (5.0)	4.6 (0.13)
4	2.09 (53.0)	1.73 (44.0)	0.77 (19.6)	1.87 (47.5)	1.48 (37.5)	0.05 (1.3)	0.25 (6.3)	1.38 (35.0)	0.39 (10.0)	0.39 (10.0)	0.59 (15.0)	0.19 (5.0)	5.4 (0.15)
6	2.09 (53.0)	1.73 (44.0)	0.89 (22.6)	1.87 (47.5)	1.48 (37.5)	0.05 (1.3)	0.25 (6.3)	1.38 (35.0)	0.39 (10.0)	0.39 (10.0)	0.59 (15.0)	0.19 (5.0)	6.9 (0.20)
10	2.66 (67.6)	2.24 (57.0)	0.89 (22.6)	2.46 (62.5)	1.97 (50.0)	0.28 (7.1)	0.34 (8.8)	1.77 (45.0)	0.59 (15.0)	0.43 (10.9)	0.39 (10.0)	0.63 (15.9)	10.3 (0.29)
14	2.66 (67.6)	2.24 (57.0)	0.96 (24.3)	2.46 (62.5)	1.97 (50.0)	0.28 (7.1)	0.34 (8.8)	1.77 (45.0)	0.59 (15.0)	0.43 (10.9)	0.39 (10.0)	0.63 (15.9)	11.9 (0.34)
18	2.66 (67.6)	2.24 (57.0)	1.09 (27.6)	2.46 (62.5)	1.97 (50.0)	0.28 (7.1)	0.34 (8.8)	1.77 (45.0)	0.59 (15.0)	0.43 (10.9)	0.39 (10.0)	0.63 (15.9)	14.1 (0.40)
24	2.68 (68.0)	2.26 (57.5)	1.23 (31.3)	2.46 (62.5)	1.97 (50.0)	0.28 (7.2)	0.34 (8.8)	1.77 (45.0)	0.59 (15.0)	0.43 (10.9)	0.39 (10.0)	0.63 (15.9)	16.5 (0.47)
30	2.68 (68.0)	2.26 (57.5)	1.39 (35.3)	2.46 (62.5)	1.97 (50.0)	0.28 (7.2)	0.34 (8.8)	1.77 (45.0)	0.59 (15.0)	0.43 (10.9)	0.39 (10.0)	0.63 (15.9)	19.7 (0.58)

Custom versions available upon request.

©2015 Signal Transformer Inc. Specifications subject to change without notice. 07.15



www.signaltransformer.com

500 Bayview Avenue, Inwood, NY 11096
 Toll Free 866-239-5777 • Tel 516-239-5777 • Fax 516-239-7208
 sales@signaltransformer.com • techhelp@signaltransformer.com