



Chipsmall Limited consists of a professional team with an average of over 10 year of expertise in the distribution of electronic components. Based in Hongkong, we have already established firm and mutual-benefit business relationships with customers from,Europe,America and south Asia,supplying obsolete and hard-to-find components to meet their specific needs.

With the principle of “Quality Parts,Customers Priority,Honest Operation,and Considerate Service”,our business mainly focus on the distribution of electronic components. Line cards we deal with include Microchip,ALPS,ROHM,Xilinx,Pulse,ON,Everlight and Freescale. Main products comprise IC,Modules,Potentiometer,IC Socket,Relay,Connector.Our parts cover such applications as commercial,industrial, and automotives areas.

We are looking forward to setting up business relationship with you and hope to provide you with the best service and solution. Let us make a better world for our industry!



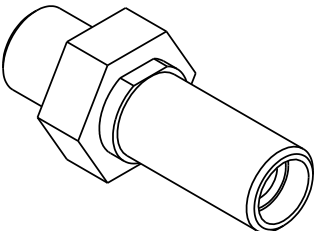
## Contact us

Tel: +86-755-8981 8866 Fax: +86-755-8427 6832

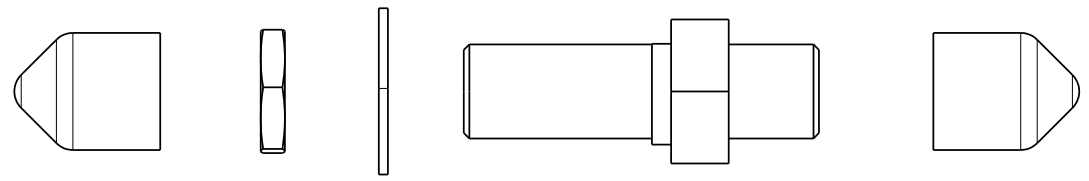
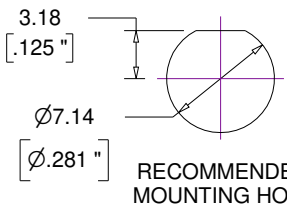
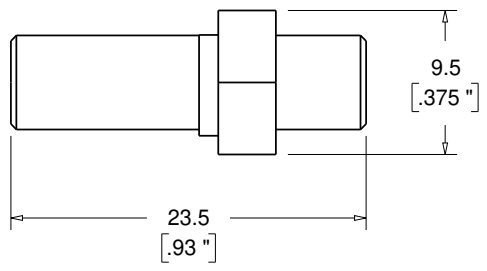
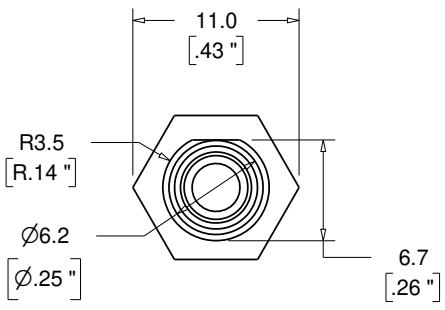
Email & Skype: info@chipsmall.com Web: www.chipsmall.com

Address: A1208, Overseas Decoration Building, #122 Zhenhua RD., Futian, Shenzhen, China





REVISIONS					
REV	DESCRIPTION	ECO	DATE	DWN	APVD
A1	Corrected material spec		8/10/2011	BB	AR

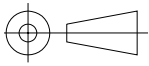


INCLUDES 8mm HEX NUT, LOCK WASHER AND TWO (2) DUST CAPS

UNLESS OTHERWISE SPECIFIED	
DIMENSIONS MILLIMETERS [IN.]	
TOLERANCES	SURFACE TEXTURE: 3.2 ✓
0 PLC: ± 1	
1 PLC: ± .25	
2 PLC: ± .127	
3 PLC: ± .025	
4 PLC: ± .013	
ANGLE: ± 1/2°	
REMOVE BURRS AND SHARP EDGES	
FLATNESS .005mm PER mm	
ALL DIMENSIONS AFTER FINISH	

PRODUCT	IF 820064
MATERIAL	Brass
FINISH	Nickel Plated
DRAWN BY	B. Bidwell
DATE	1/6/2010
CHECKED BY	A. Reyes
DATE	1/6/2010

Industrial Fiber Optics TEMPE, AZ 85281			
NAME <b>SMA Mating Sleeve</b>			
SIZE <b>A</b>	SCALE 2:1	PART NUMBER 820064	REV A1
DO NOT SCALE DRAWING		Sheet 1 of 1	



**METRIC**

