



Chipsmall Limited consists of a professional team with an average of over 10 year of expertise in the distribution of electronic components. Based in Hongkong, we have already established firm and mutual-benefit business relationships with customers from,Europe,America and south Asia,supplying obsolete and hard-to-find components to meet their specific needs.

With the principle of “Quality Parts,Customers Priority,Honest Operation,and Considerate Service”,our business mainly focus on the distribution of electronic components. Line cards we deal with include Microchip,ALPS,ROHM,Xilinx,Pulse,ON,Everlight and Freescale. Main products comprise IC,Modules,Potentiometer,IC Socket,Relay,Connector.Our parts cover such applications as commercial,industrial, and automotives areas.

We are looking forward to setting up business relationship with you and hope to provide you with the best service and solution. Let us make a better world for our industry!



Contact us

Tel: +86-755-8981 8866 Fax: +86-755-8427 6832

Email & Skype: info@chipsmall.com Web: www.chipsmall.com

Address: A1208, Overseas Decoration Building, #122 Zhenhua RD., Futian, Shenzhen, China



100W, 35A Non-isolated SMT Point of Load with PMBus

Features

- ◆ Only 0.45 in² Board Space
- ◆ PMBus Compliant (Read & Write)
- ◆ Surface Mountable
- ◆ Digital Adaptive Control
- ◆ Parallel Operation with Current Sharing
- ◆ Configurable Sequence & Fault Management



Key Market Segments & Applications



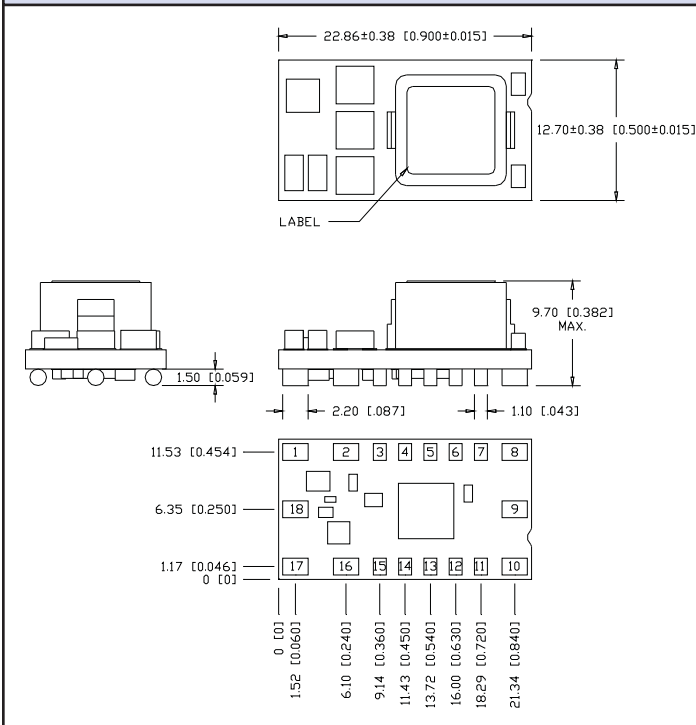
Specifications			
Model		iJA12035	
DC Output Voltage	V	0.6 - 3.3V	
DC Output Power (max)	W	100W	
DC Input Voltage	V	8 - 14V	
Efficiency	%	85 - 94%	
Output Voltage Tolerance	%	±2	
Line Regulation	mV	4 (Typical)	
Load Regulation	mV	8 (Typical)	
External Load Capacitance	uF	400 - 2400	
Output Ripple and Noise	mVpp	10	
Overcurrent Protection (Typ)	A	40A	
Remote On / Off	-	Negative Logic	
Remote Sense	-	Yes	
Operating Temperature	°C	-40 to 120 (see thermal data on website)	
Storage Temperature	°C	-55 to 125	
Safety Agency Approvals	-	IEC/EN/UL/CSA 60950-1, CE MARK	
Weight	g / oz	6.5g / 0.23 oz	
Size (LxWxH)	mm / in.	22.9 x 12.7 x 9.7 (0.9 x 0.5 x 0.382")	
Warranty	yrs	3 years	

Model Selector

Model	Input Voltage (V)	Output Current (A)	Output Voltage (V)	Remote On/Off	Pin 6 Function
iJA12035A007V-001-R	8 - 14	35	0.6 - 3.3	Negative	SALERT
iJA12035A007V-0P1-R	8 - 14	35	0.6 - 3.3	Negative	FAULT indication (parallel operation)

Preferred

Outline Drawing



Pinout

PIN	Function	PIN	Function
1	Power Ground (0V)	10	+V Output
2	Power Ground (0V)	11	+ Remote Sense
3	Remote On/Off	12	- Remote Sense
4	PMBus Clock	13	Output Trim
5	PMBus Data	14	Current Share
6	PMBus Alert / Fault	15	Synchronize
7	PMBus Address	16	Power Ground (0V)
8	+V Output	17	Power Ground (0V)
9	+V Output	18	+V Input

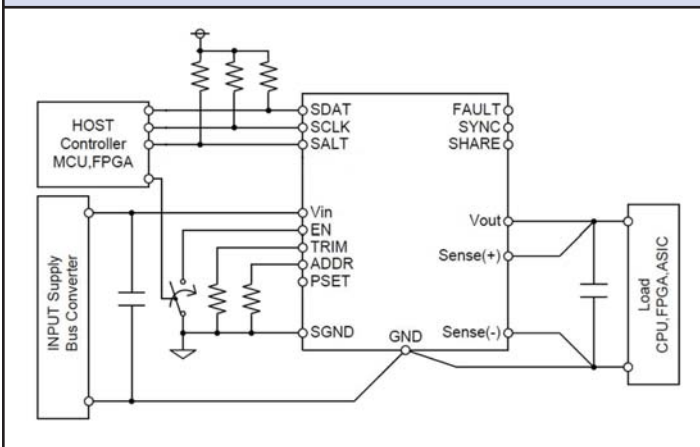
Evaluation Board

Evaluation kit part #	Contents
iJA35A-001-EVKIT-S1	Evaluation board with one piece of iJA12035A007V-001-R PMBus Dongle Board & USB cable CD ROM User manual available at iJx series technical file in our website

Other Industrial Products

CC-E	1.5 - 30W 5, 12, 24 or 48V input isolated DC-DC converters
PX	10 - 60W 12, 24 or 48V input isolated DC-DC converters
iJA, iJB, iJC	35 - 100A non isolated DC-DC converters with PMBus
iAF, iBF, iCF, iCG	3 - 20A DOSA2 non isolated DC-DC converters
iQE, iQL, iQG	96 - 400W Quarter bricks
iEH	300W Eighth brick

Typical Application Circuit



For Additional Information, please visit us.tdk-lambda.com/lp/products/ijb-series.htm

