



Chipsmall Limited consists of a professional team with an average of over 10 year of expertise in the distribution of electronic components. Based in Hongkong, we have already established firm and mutual-benefit business relationships with customers from,Europe,America and south Asia,supplying obsolete and hard-to-find components to meet their specific needs.

With the principle of “Quality Parts,Customers Priority,Honest Operation,and Considerate Service”,our business mainly focus on the distribution of electronic components. Line cards we deal with include Microchip,ALPS,ROHM,Xilinx,Pulse,ON,Everlight and Freescale. Main products comprise IC,Modules,Potentiometer,IC Socket,Relay,Connector.Our parts cover such applications as commercial,industrial, and automotives areas.

We are looking forward to setting up business relationship with you and hope to provide you with the best service and solution. Let us make a better world for our industry!



Contact us

Tel: +86-755-8981 8866 Fax: +86-755-8427 6832

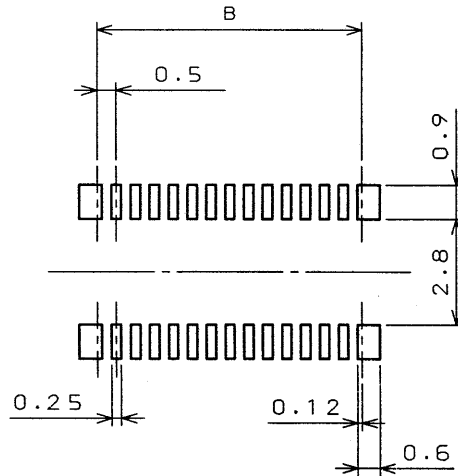
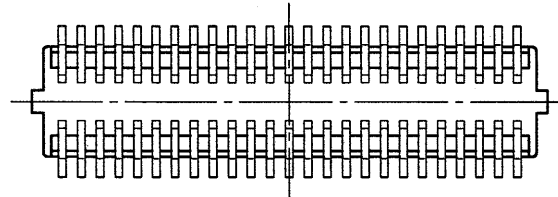
Email & Skype: info@chipsmall.com Web: www.chipsmall.com

Address: A1208, Overseas Decoration Building, #122 Zhenhua RD., Futian, Shenzhen, China

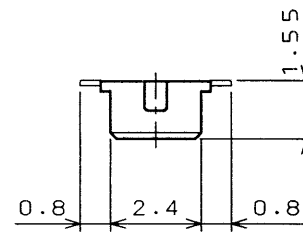
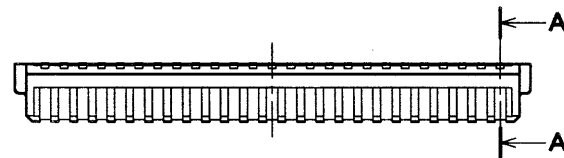
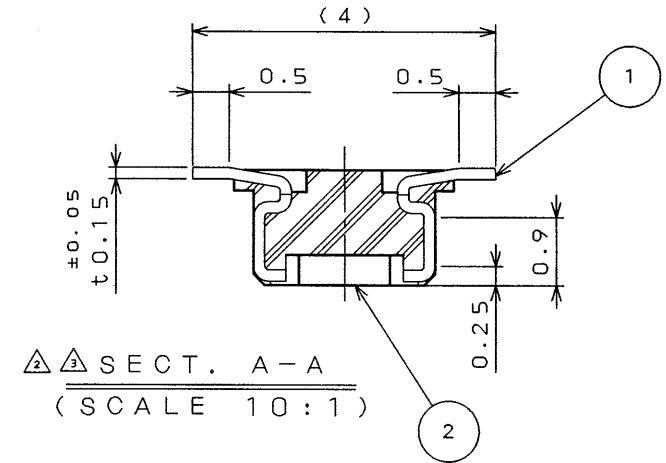


6ES1539
(DRAWING NO.)

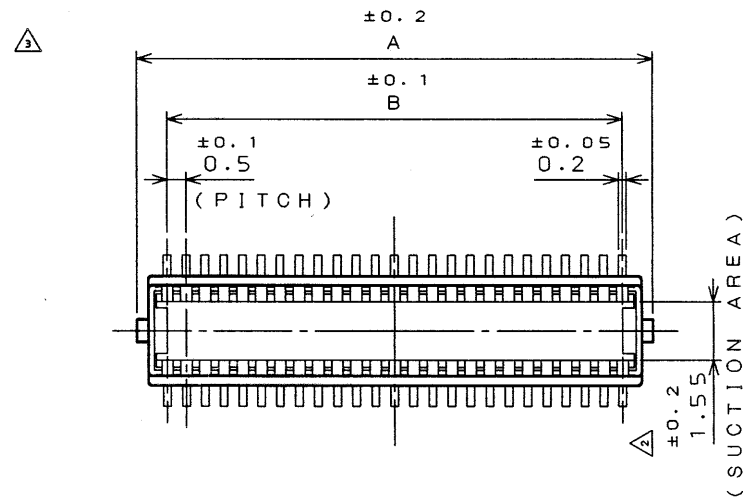
SYM. 版数	DCN NO.	DESCRIPTION 変更内容	DATE 年月日	DRAWN 製図	CHECKED 担当	APP'D 査閲	APP'D 承認
2	39442	CHANGED FORM	4.Feb'97		H.AMEMIYA	—	T.MORINO
3	40000	CHANGED FORM	14.May'97	H.SAKURADA	H.AMEMIYA	—	<i>T.Morino</i>



APPLICABLE P. C. B. DIMENSIONS (REF.)



NO. OF CONTACTS	A	B
20	6.1	4.5
30	8.6	7
40	11.1	9.5
50	13.6	12
60	16.1	14.5
70	18.6	17
80	21.1	19.5
100	26.1	24.5



2	INSULATOR	1	HEAT RESISTING PLASTICS	COLOR: BLACK
1	CONTACT	N	COPPER ALLOY	GOLD PLATING CONTACT AREA: 0.1μm MIN. GOLD PLATING
ITEM 符号	DESCRIPTION 名称	Q'TY 個数	MATERIAL 材料	FINISH 仕 備考
仕様書 (REFERENCE DOCUMENT)		第1版 (DATE) 26. Nov. '96	尺度 (SCALE) 5:1	 JAPAN AVIATION ELECTRONICS INDUSTRY, LTD. 日本航空電子工業株式会社 図面番号 (DRAWING NO.) SJ031539
公差 (GENERAL TOLERANCE)		製図 (DR.)	名称 (TITLE) IL-312-A**P -VF-A1	
寸法 (DIMENSION)	角度 (ANGLES)	担当 (CHK.) H.AMEMIYA	シリーズ (SERIES) IL-312	
. ±0.8	×° ±	査閲 (APP.)		
.X ±0.4	×°X ±	承認 (APP.) T.MORINO		版数 (SYM.) 3
.XX ±0.1				
.XXX ±				

DOF-C-212B(95.03)

CDS-96-180-10641

SIZE A3