



Chipsmall Limited consists of a professional team with an average of over 10 year of expertise in the distribution of electronic components. Based in Hongkong, we have already established firm and mutual-benefit business relationships with customers from,Europe,America and south Asia,supplying obsolete and hard-to-find components to meet their specific needs.

With the principle of “Quality Parts,Customers Priority,Honest Operation,and Considerate Service”,our business mainly focus on the distribution of electronic components. Line cards we deal with include Microchip,ALPS,ROHM,Xilinx,Pulse,ON,Everlight and Freescale. Main products comprise IC,Modules,Potentiometer,IC Socket,Relay,Connector.Our parts cover such applications as commercial,industrial, and automotives areas.

We are looking forward to setting up business relationship with you and hope to provide you with the best service and solution. Let us make a better world for our industry!



Contact us

Tel: +86-755-8981 8866 Fax: +86-755-8427 6832

Email & Skype: info@chipsmall.com Web: www.chipsmall.com

Address: A1208, Overseas Decoration Building, #122 Zhenhua RD., Futian, Shenzhen, China



0065109S
(ON ANIMATED) 台架型図

版数 REV.	年月日 DATE	DCN NO.	変更内容 DESCRIPTION	製図 DR.	担当 CHK.	査閲 APPD.	承認 APPD.
8	15.Jun.2005	057572	REDRAWN		N.UCHIYAMA	Y.YAHIRO	K.HIATANI

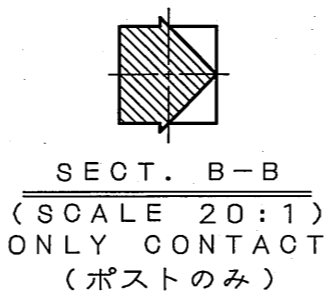
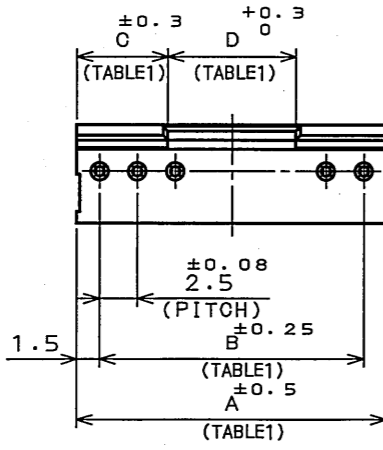
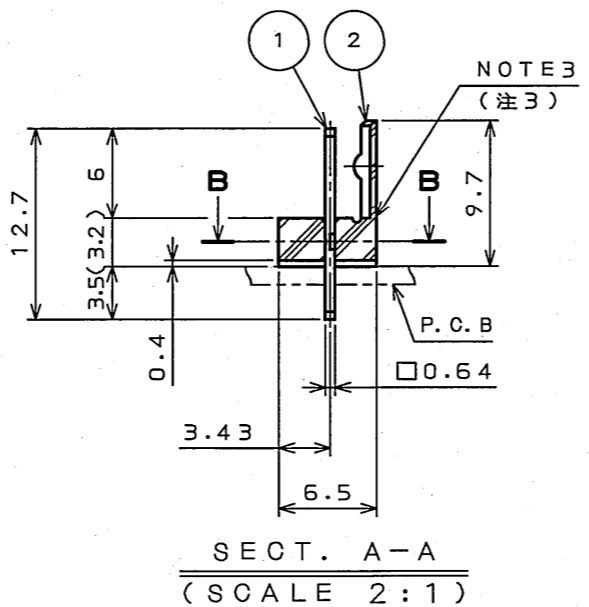
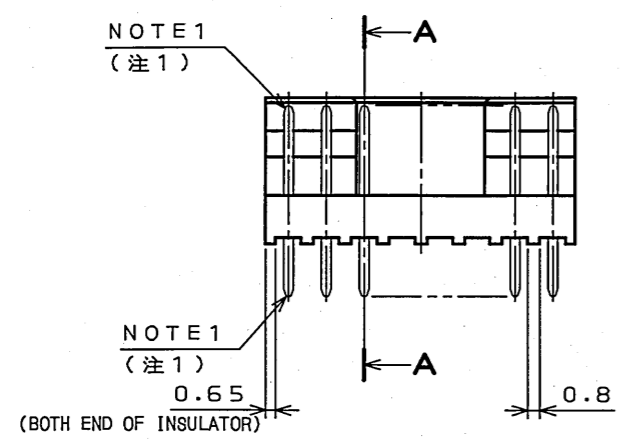
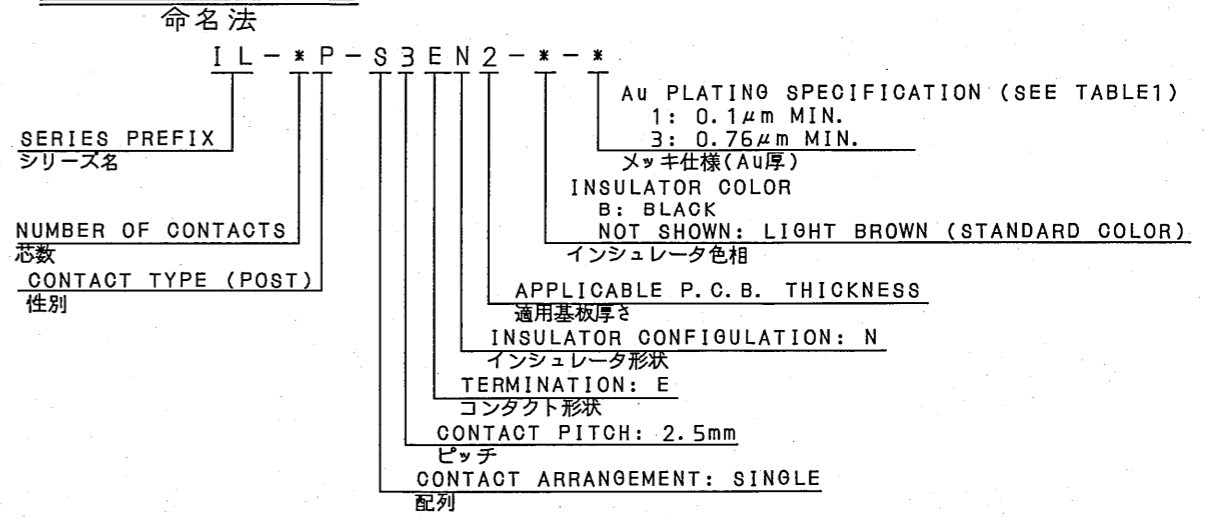


TABLE 1

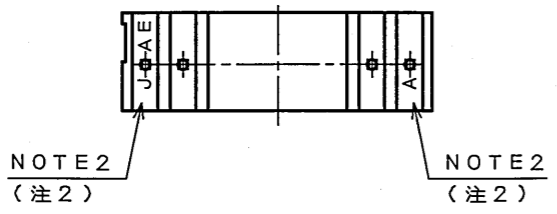
DIMENSION NUMBER OF CONTACTS	±0.5 A	±0.25 B	±0.3 C	+0.3 D ⁰	DEVELOPED: O UNDEVELOPED: X	
					PLATING SPECIFICATION 1	PLATING SPECIFICATION 3
2	5.5	2.5	2	1.5	○	○
3	8	5	3	2	○	×
4	10.5	7.5	4	2.5	○	×
5	13	10	5	3	○	×
6	15.5	12.5	6	3.5	○	×
7	18	15	6	6	○	×
8	20.5	17.5	6	8.5	○	×
9	23	20	6	11	○	×
10	25.5	22.5	6	13.5	○	×
11	28	25	6	16	○	×



DESIGNATION
命名法



NOTE1. CUTTING SURFACE OF CONTACTS ARE NOT PLATED.
NOTE2. COMPANY LOGO "JAE" AND TOOLING MARK APPEAR IN RAISED LETTERS.
NOTE3. ONLY THE PLATING SPECIFICATION NUMBER 3 SHALL BE SHOWN AT THE LOCATION IN THIS DRAWING.
注1. コンタクト先端面取部に、メッキは付かない。
注2. 社標及び金型マークを浮出す。
注3. 図示の面に、メッキ仕様の表示を施す(メッキ仕様3のみ)。



2	INSULATOR	1	6-6Ny	UL-94V-0
1	CONTACT	TABLE 1	BRASS	AU OVER NI
符号 NO.	名称 DESCRIPTION	個数 QTY.	材料 MATERIAL	仕上 FINISH
仕様書(SPECIFICATION)		第1版(ORIGINAL DATE) 3.Oct.1978		尺度(SCALE) 2:1
一般公差(GENERAL TOLERANCE)		製図 DR. ITOH		シリーズ(SERIES) IL
寸法(DIMENSION) 角度(ANGLES)		担当 CHK. TAKEDA		名称(TITLE) IL-*P-S3EN2-*-*
. ±0.8 X° ±		査閲 APPD. FUJINO		STRAIGHT PIN HEADER (ストレートピンヘッダ)
.X ±0.4 X°X' ±		承認 APPD. NISHINO		
.XX ±0.1				
.XXX ±				質量(MASS)
				日本航空電子工業株式会社 JAPAN AVIATION ELECTRONICS INDUSTRY, LTD.
				図面番号(DRAWING NO.) SJ015900
				版数 (REV.) 8

DOF-0-212E(03.08)

