



Chipsmall Limited consists of a professional team with an average of over 10 year of expertise in the distribution of electronic components. Based in Hongkong, we have already established firm and mutual-benefit business relationships with customers from,Europe,America and south Asia,supplying obsolete and hard-to-find components to meet their specific needs.

With the principle of “Quality Parts,Customers Priority,Honest Operation,and Considerate Service”,our business mainly focus on the distribution of electronic components. Line cards we deal with include Microchip,ALPS,ROHM,Xilinx,Pulse,ON,Everlight and Freescale. Main products comprise IC,Modules,Potentiometer,IC Socket,Relay,Connector.Our parts cover such applications as commercial,industrial, and automotives areas.

We are looking forward to setting up business relationship with you and hope to provide you with the best service and solution. Let us make a better world for our industry!



## Contact us

Tel: +86-755-8981 8866 Fax: +86-755-8427 6832

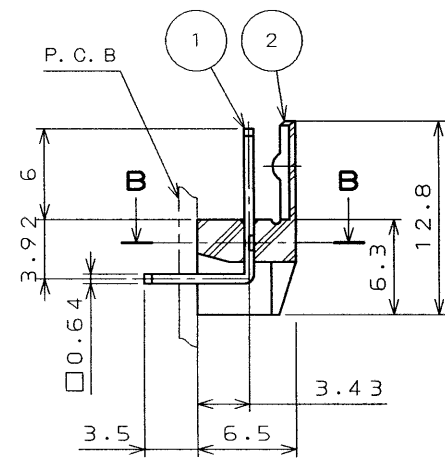
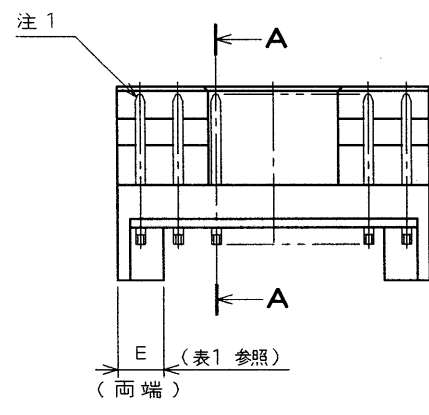
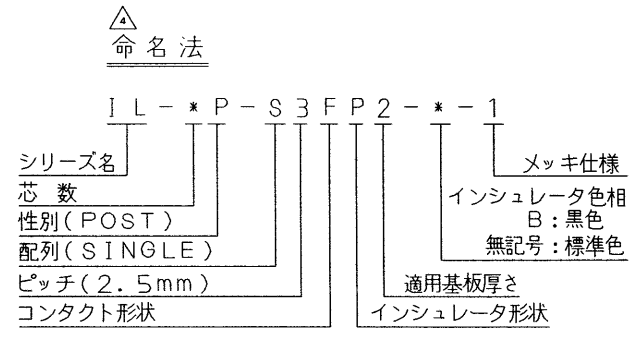
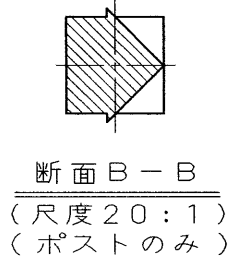
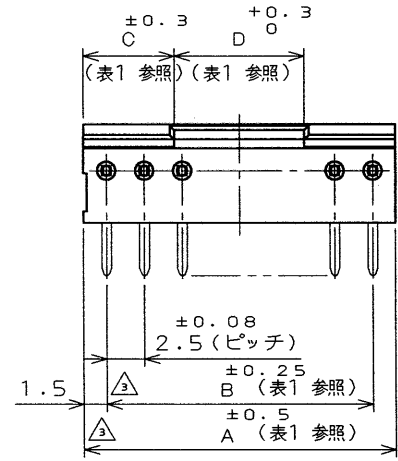
Email & Skype: info@chipsmall.com Web: www.chipsmall.com

Address: A1208, Overseas Decoration Building, #122 Zhenhua RD., Futian, Shenzhen, China



106510RS  
(ON ENIMARD)台型埋込

版数 REV.	年月日 DATE	DCN NO.	変更内容 DESCRIPTION	製図 DR.	担当 CHK.	査閲 APPD.	承認 APPD.
2	1982.9.9	15524	図面汚損のため、再トレース				
3	1985.7.17	19144	A,B寸法補助線変更		雨宮	藤野	四宮
4	1998.11.6	43122	再トレース、命名法変更、他	阿部	樋口	久尾	雨宮

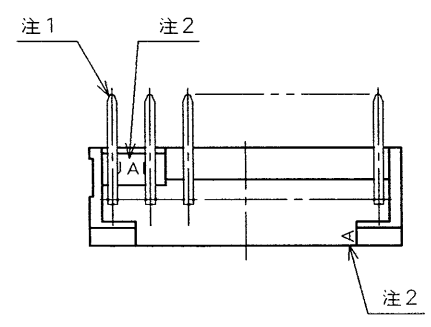


断面 A-A

表 1

区分 芯数	±0.5 A	±0.25 B	±0.3 C	+0.3 D	E
2	5.5	2.5	2	1.5	1.7
3	8	5	3	2	3
4	10.5	7.5	4	2.5	3
5	13	10	5	3	3
6	15.5	12.5	6	3.5	3
7	18	15	6	6	3
8	20.5	17.5	6	8.5	3
9	23	20	6	11	3
10	25.5	22.5	6	13.5	3

注1. コンタクト先端面取部に、メッキは付かない。  
注2. 社標及び金型マークを浮出す。



2	インシュレータ	1	6-6 ナイロン	△ ナシ	UL94 V-0
1	コンタクト	表1	黄銅	△ Ni上Auメッキ	
符号 NO.	名称 DESCRIPTION	個数 QTY.	材 料 MATERIAL	仕 上 FINISH	備 考 REMARKS
仕様書 (SPECIFICATION)		第1版 (ORIGINAL DATE) 1978.10.3		尺 度 (SCALE) 1:1	
一般公差 (GENERAL TOLERANCE)		製 図 DR. 樋 谷		名 称 (TITLE) Reference Only	
寸法 (DIMENSION) 角度 (ANGLES)		担 当 CHK. 武 田		I L - * P - S 3 F P 2 - * - 1	
. ±0.8 X° ±		査 閲 APPD. 藤 野		(ライトアングルピンヘッダ)	
.X ±0.4 X°X' ±		承 認 APPD. 四 宮		重量 (WEIGHT)	
.XX ±0.1				⊕	
.XXX ±				図面番号 (DRAWING NO.) SJ015901	
					版数 (REV.) 4

DOF-C-212D(98.02)

