



Chipsmall Limited consists of a professional team with an average of over 10 year of expertise in the distribution of electronic components. Based in Hongkong, we have already established firm and mutual-benefit business relationships with customers from,Europe,America and south Asia,supplying obsolete and hard-to-find components to meet their specific needs.

With the principle of "Quality Parts,Customers Priority,Honest Operation,and Considerate Service",our business mainly focus on the distribution of electronic components. Line cards we deal with include Microchip,ALPS,ROHM,Xilinx,Pulse,ON,Everlight and Freescale. Main products comprise IC,Modules,Potentiometer,IC Socket,Relay,Connector.Our parts cover such applications as commercial,industrial, and automotives areas.

We are looking forward to setting up business relationship with you and hope to provide you with the best service and solution. Let us make a better world for our industry!



## Contact us

Tel: +86-755-8981 8866 Fax: +86-755-8427 6832

Email & Skype: info@chipsmall.com Web: www.chipsmall.com

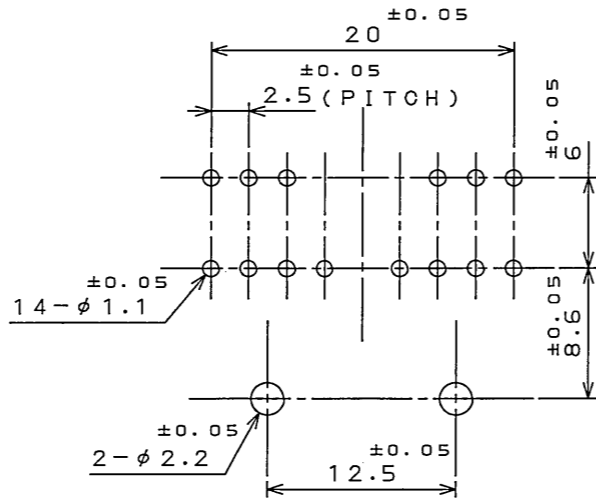
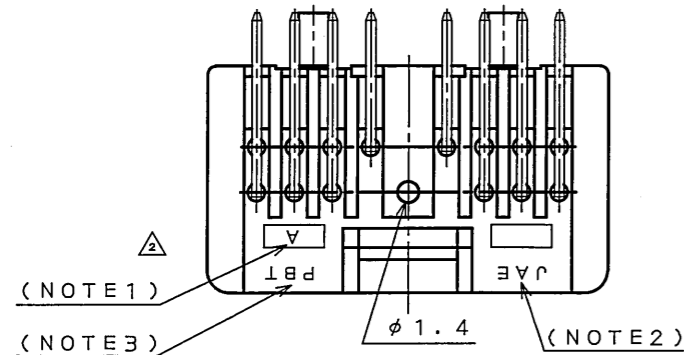
Address: A1208, Overseas Decoration Building, #122 Zhenhua RD., Futian, Shenzhen, China



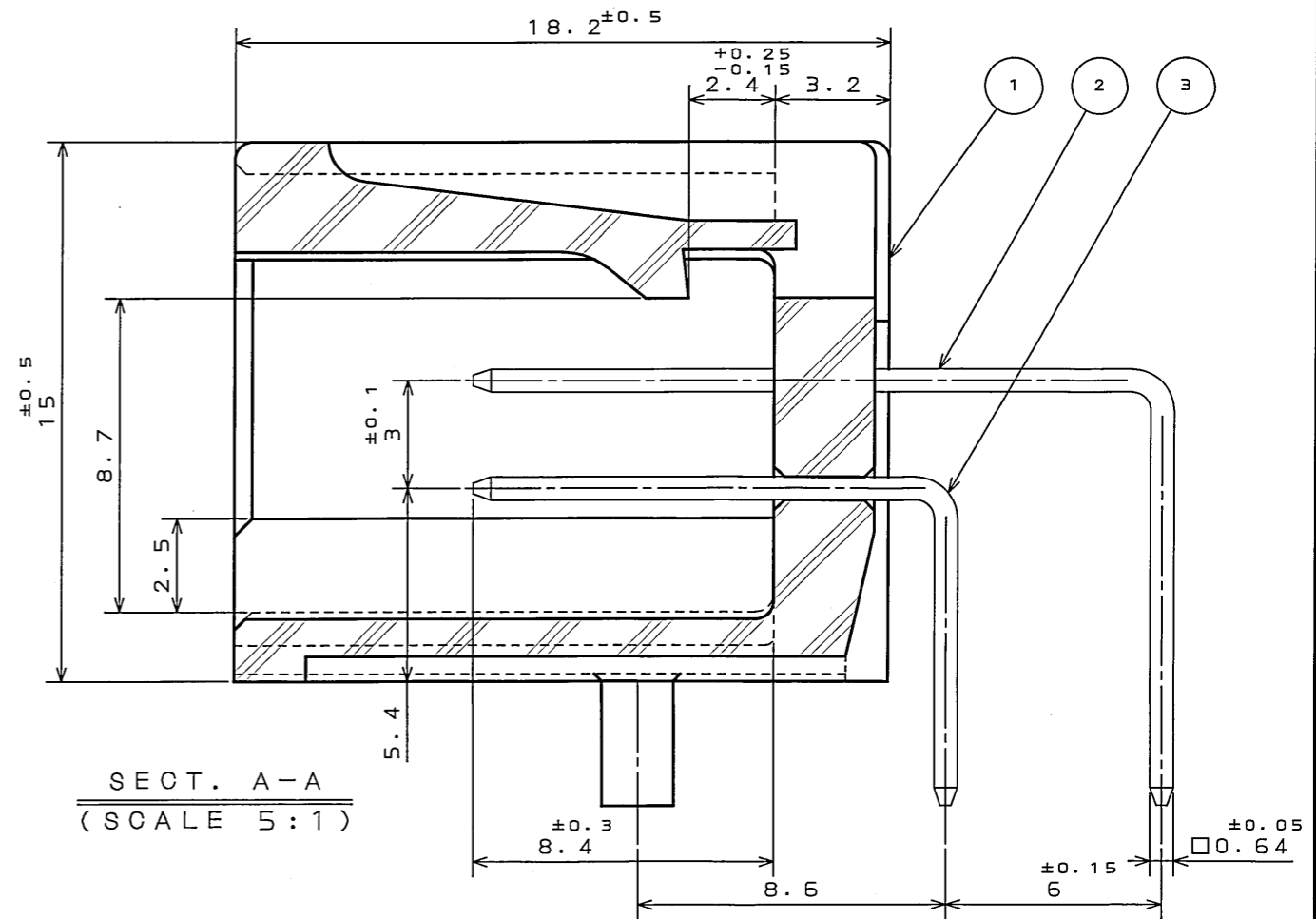
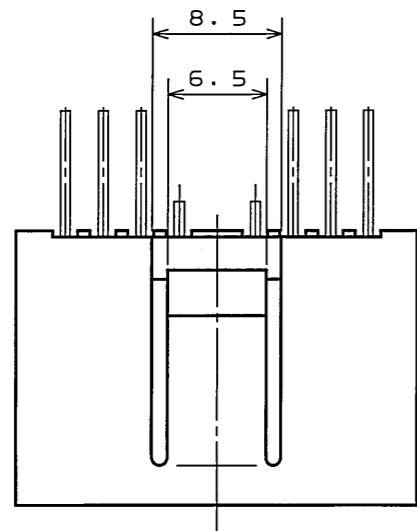
SSZEZ0RS

(ON ANIMATED) 台架図 (DRAWING NO.)

版数 REV.	年月日 DATE	DCN NO.	変更内容 DESCRIPTION	製図 DR.	担当 CHK.	査閲 APPD.	承認 APPD.
2	18.Dec.1989	26261	ADDITION OF PARTS ABSORBING SHRINK.		Y.ICHYAMA	I.IIMORI	K.TAKEDA
3	11.Nov.1997	40966	ADDITION P.C.B.HOLE PATTERNS AND RETRACE.		N.OGAWA	T.TOTANI	I.IIMORI
4	8.Sep.2003	053208	CHANGED ENGLISH NOTES		S.HARA	<i>T.Obata</i>	<i>K.Takeda</i>

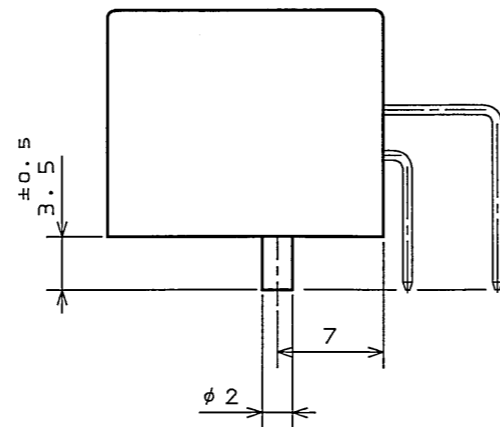
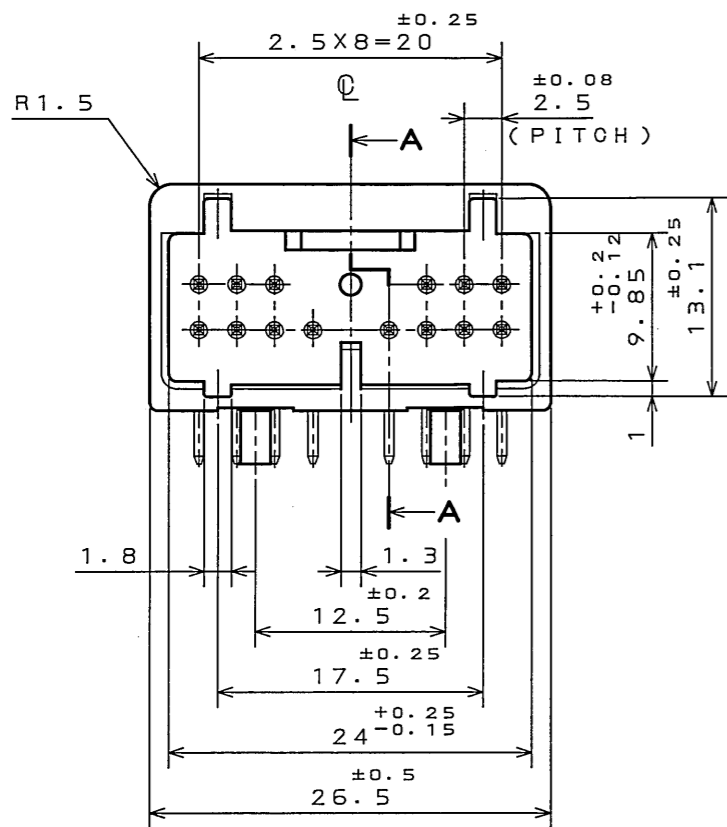


P.C.B. HOLE PATTERNS (REF.)  
基板取付穴寸法 (参考)



SECT. A-A  
(SCALE 5:1)

- △ NOTE1. MOLD CAVITY DESIGNATOR APPEARS IN RAISED LETTERS.
- 2. COMPANY LOGO "JAE" APPEARS IN RAISED LETTERS.
- 3. MATERIAL MARK APPEARS IN RAISED LETTERS.
- △ 4. CONTACT TIP IS NOT PLATED AT POINT OF BREAK OFF.
- 注1. 金型マークを浮き出す。
- 2. 社標を浮き出す。
- 3. 材料マークを浮き出す。
- 4. コンタクト先端部に、めっきは付かない。



符号 NO.	名称 DESCRIPTION	個数 QTY.	材料 MATERIAL	仕上 FINISH	備考 REMARKS
3	CONTACT B	8	BRASS	TIN PLATING	
2	CONTACT A	6	BRASS	TIN PLATING	
1	INSULATOR	1	P B T		COLOR: GREEN
仕様書 (SPECIFICATION)		第1版 (ORIGINAL DATE)		仕上 (FINISH)	
JACS-1309-*		11.Nov.1988		2:1	
J AHL-1309-*		製図 (DRAWING)		IL-A05	
公差 (GENERAL TOLERANCE)		担当 (CHK.)		名称 (TITLE)	
寸法 (DIMENSION)		Y.ICHYAMA		IL-A05-14P	
角度 (ANGLES)		査閲 (APPD.)		-D3L2-A	
. ±0.2		承認 (APPD.)		重量 (WEIGHT)	
.X ±0.2		K.TAKEDA		JAE CONNECTOR.COM	
.XX ±				Reference Only	
.XXX ±				JAPAN AVIATION ELECTRONICS INDUSTRY, LTD.	
				図面番号 (DRAWING NO.)	
				SJ023255	
				版数 (REV.)	
				4	

DOF-0-212E(03.08)

