



Chipsmall Limited consists of a professional team with an average of over 10 year of expertise in the distribution of electronic components. Based in Hongkong, we have already established firm and mutual-benefit business relationships with customers from,Europe,America and south Asia,supplying obsolete and hard-to-find components to meet their specific needs.

With the principle of "Quality Parts,Customers Priority,Honest Operation,and Considerate Service",our business mainly focus on the distribution of electronic components. Line cards we deal with include Microchip,ALPS,ROHM,Xilinx,Pulse,ON,Everlight and Freescale. Main products comprise IC,Modules,Potentiometer,IC Socket,Relay,Connector.Our parts cover such applications as commercial,industrial, and automotives areas.

We are looking forward to setting up business relationship with you and hope to provide you with the best service and solution. Let us make a better world for our industry!



Contact us

Tel: +86-755-8981 8866 Fax: +86-755-8427 6832

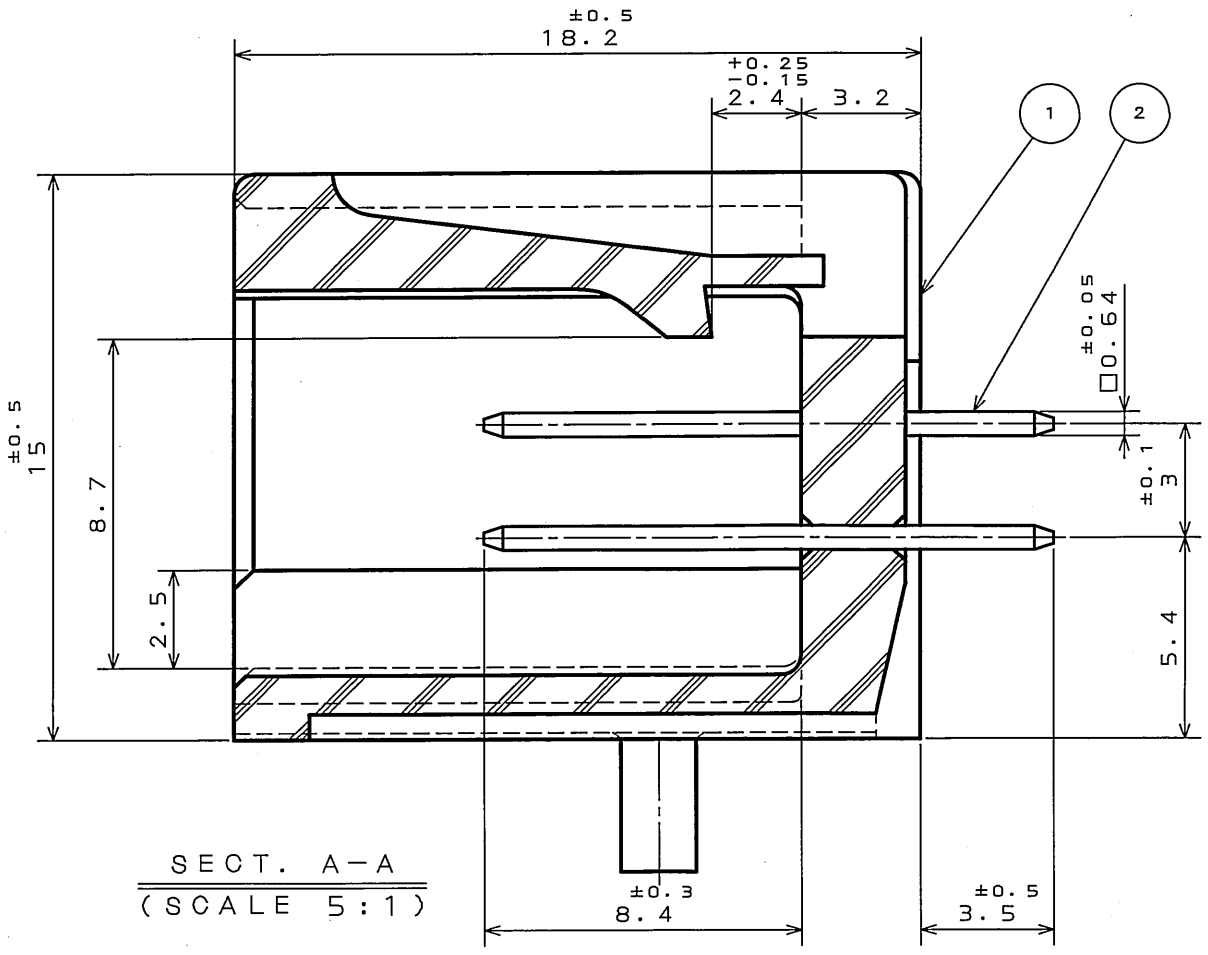
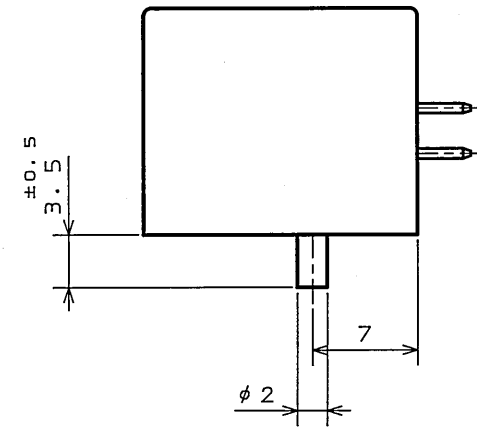
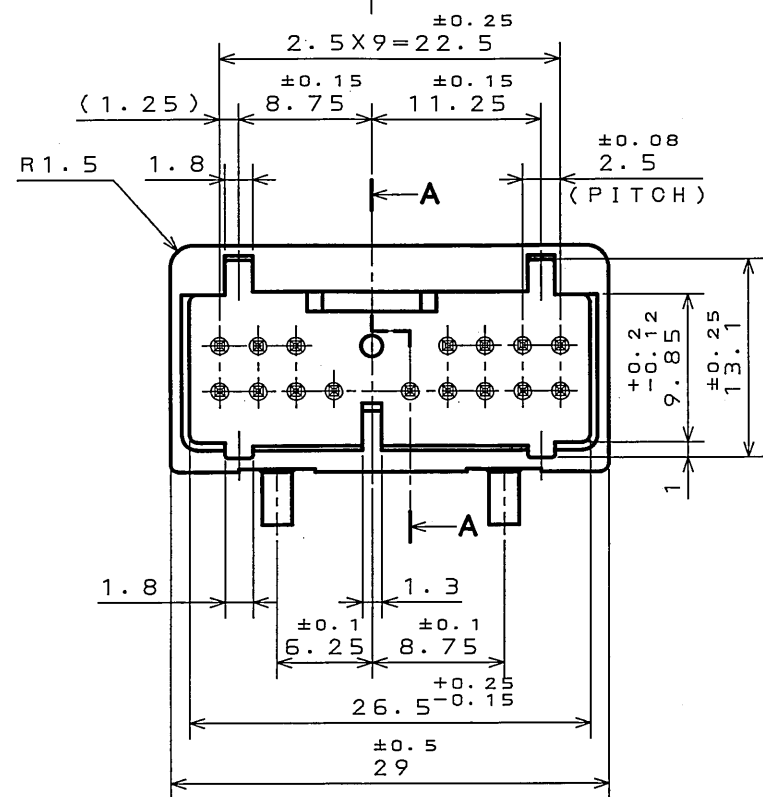
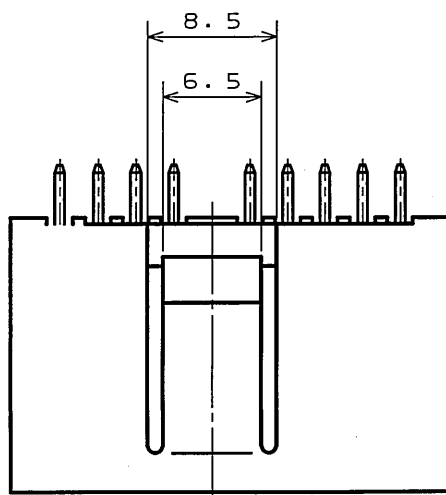
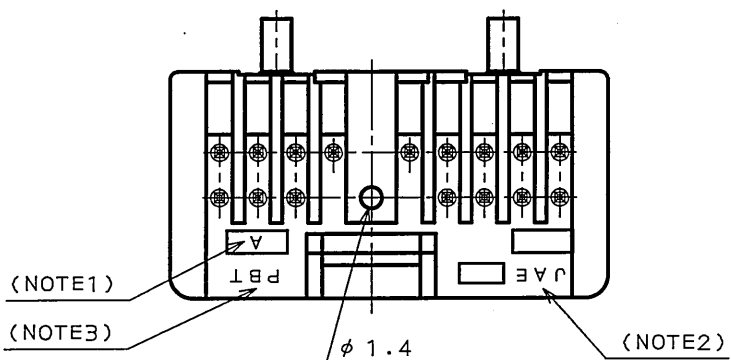
Email & Skype: info@chipsmall.com Web: www.chipsmall.com

Address: A1208, Overseas Decoration Building, #122 Zhenhua RD., Futian, Shenzhen, China



9523255
(ON 0NIMV8D) 台標理図

版数 REV.	年月日 DATE	DCN NO.	変更内容 DESCRIPTION	製図 DR.	担当 CHK.	査閲 APPD.	承認 APPD.
2	18.Dec.1989	26261	ADDITION SINK RELIEF		Y.ICHIIYAMA	I.IIMORI	K.TAKEDA
3	8.Sep.2003	053208	CHANGED TO BILINGUAL AND ADDED SPECIFICATION NO.		S.HARA	<i>T. Ichii</i>	<i>H. Imori</i>



SECT. A-A
(SCALE 5:1)

- NOTE1. MOLD CAVITY DESIGNATOR APPEARS IN RAISED LETTERS. 注1. 金型マークを浮き出す。
 2. COMPANY LOGO "JAE" APPEARS IN RAISED LETTERS. 2. 社標を浮き出す。
 3. MATERIAL MARK APPEARS IN RAISED LETTERS. 3. 材料マークを浮き出す。
 4. CONTACT TIP IS NOT PLATED AT POINT OF BREAK OFF. 4. コンタクト先端部に、めっきは付かない。

2	CONTACT	16	BRASS	TIN PLATING	
1	INSULATOR	1	P B T		COLOR: GREEN
符号 NO.	名称 DESCRIPTION	個数 QTY.	材 料 MATERIAL	仕 上 FINISH	備 考 REMARKS
仕様書 (SPECIFICATION) JACS-1309	第1版 (ORIGINAL DATE) 11.Nov.1988	JAE CONNECTOR.COM 2:1 IL-A05		日本航空電子工業株式会社 Only AVIATION ELECTRONICS INDUSTRY, LTD.	
公差 (GENERAL TOLERANCE)	製図 DR.	H.TSUCHIYA		名称 (TITLE) IL-A05-16P -D3T2-A	
寸法 (DIMENSION)	担当 CHK.	Y.ICHIIYAMA		重量 (WEIGHT)	
角度 (ANGLES)	査閲 APPD.	I.IIMORI			
. ±0.2 X° ± .X ±0.2 X°X' ± .XX ± .XXX ±	承認 APPD.	K.TAKEDA			
				図面番号 (DRAWING NO.) SJ023256	
				版数 (REV.) 3	

DOF-0-212E(03.08)

