



Chipsmall Limited consists of a professional team with an average of over 10 year of expertise in the distribution of electronic components. Based in Hongkong, we have already established firm and mutual-benefit business relationships with customers from,Europe,America and south Asia,supplying obsolete and hard-to-find components to meet their specific needs.

With the principle of “Quality Parts,Customers Priority,Honest Operation,and Considerate Service”,our business mainly focus on the distribution of electronic components. Line cards we deal with include Microchip,ALPS,ROHM,Xilinx,Pulse,ON,Everlight and Freescale. Main products comprise IC,Modules,Potentiometer,IC Socket,Relay,Connector.Our parts cover such applications as commercial,industrial, and automotives areas.

We are looking forward to setting up business relationship with you and hope to provide you with the best service and solution. Let us make a better world for our industry!



## Contact us

Tel: +86-755-8981 8866 Fax: +86-755-8427 6832

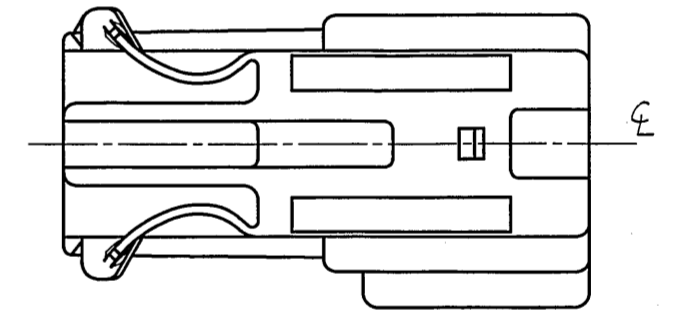
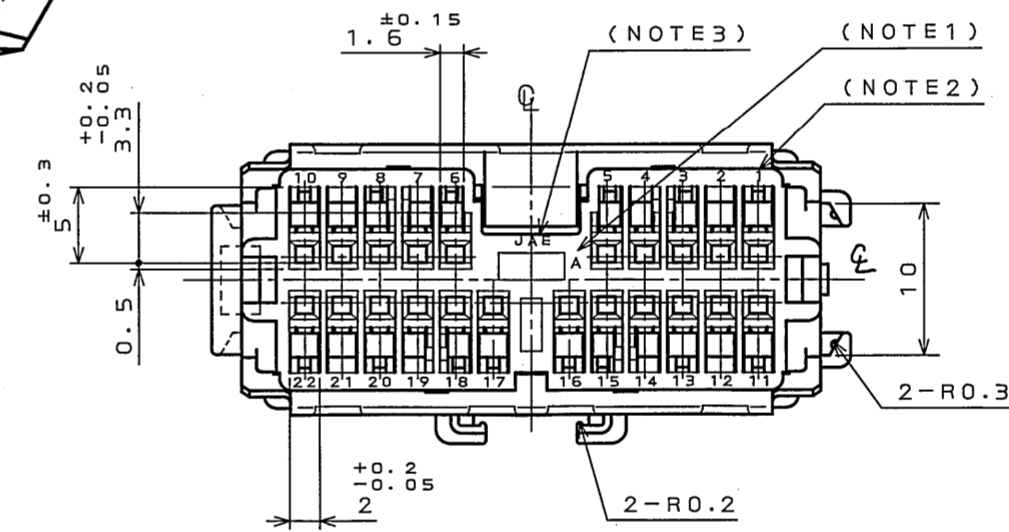
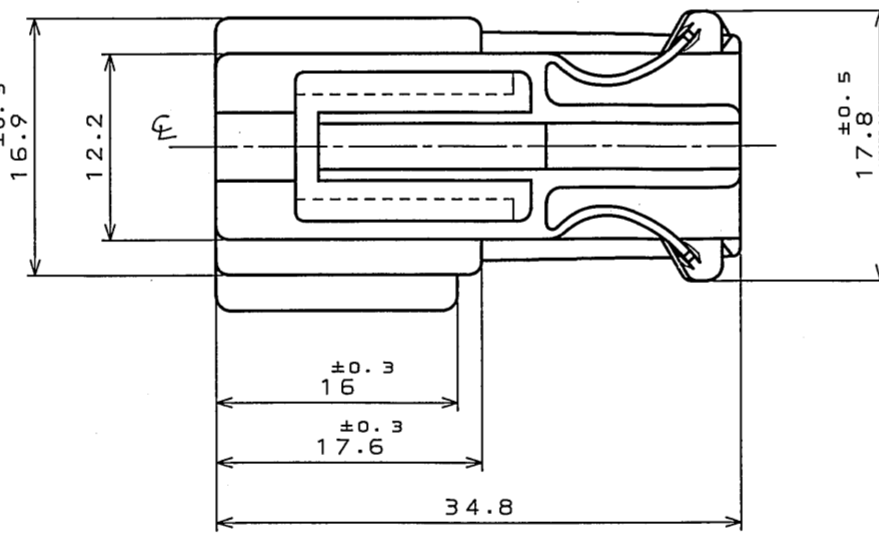
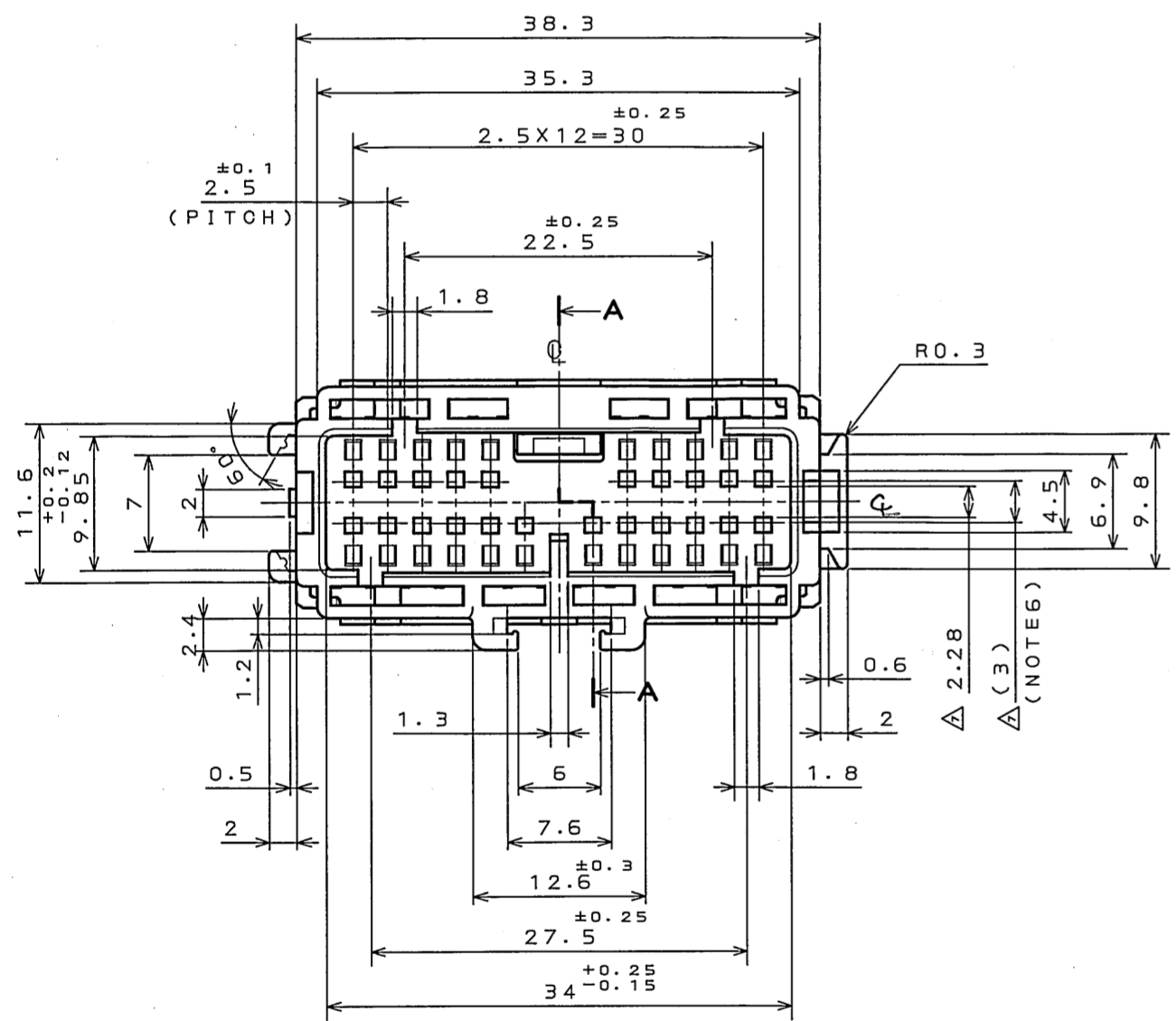
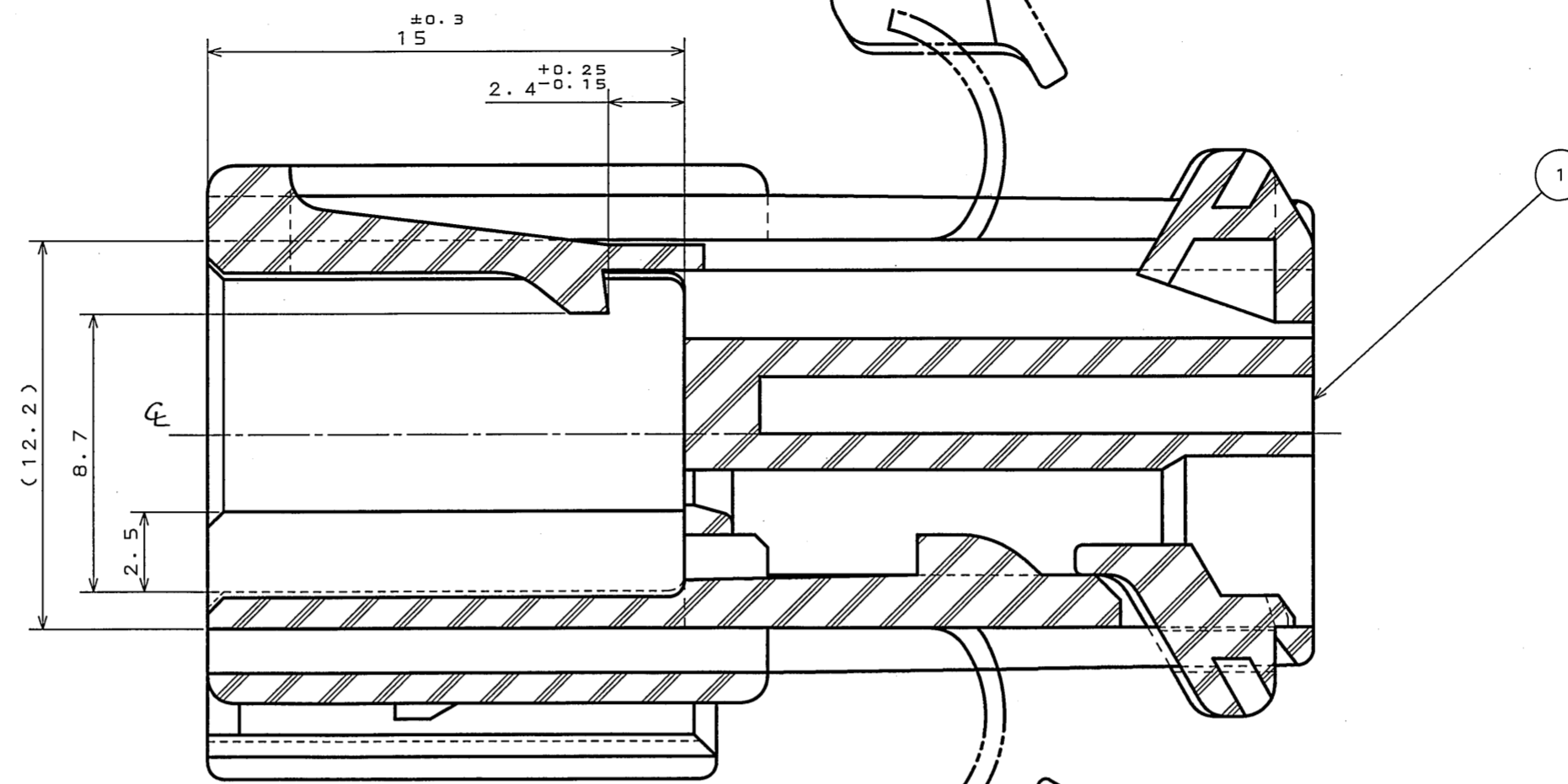
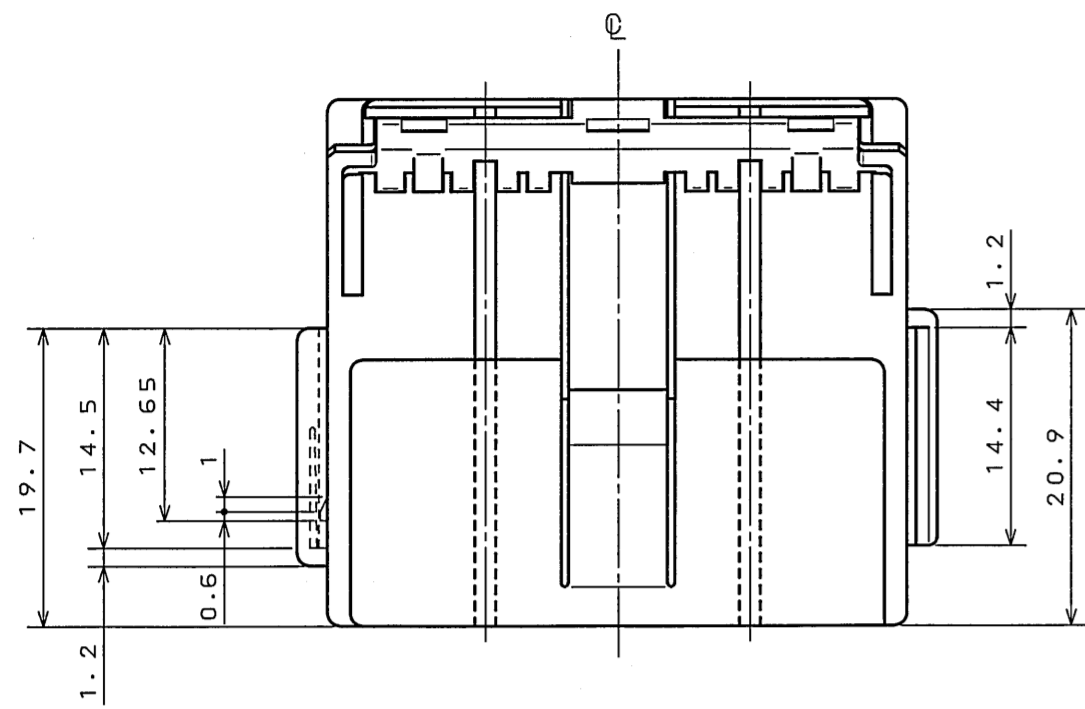
Email & Skype: info@chipsmall.com Web: www.chipsmall.com

Address: A1208, Overseas Decoration Building, #122 Zhenhua RD., Futian, Shenzhen, China



版数 REV.	年月日 DATE	DCN NO.	変更内容 DESCRIPTION	製図 DR.	担当 CHK.	査閲 APPD.	承認 APPD.
6	8.Sep.2003	053208	CHANGED TO BILINGUAL AND REDRAWN etc.		S.HARA	T.ISHIWA	Y.HAYASHI
7	17.Sep.2004	055755	CHANGE THE DIMENSION INDICATION.	Y.SATOU	S.HARA		T.Ishii

SECT. A-A  
(SCALE 5:1)



- NOTE1. MOLD CAVITY DESIGNATOR APPEARS IN RAISED LETTERS.  
 2. POSITION NO. APPEARS IN RAISED LETTERS.  
 3. COMPANY LOGO "JAE" APPEARS IN RAISED LETTERS.  
 4. APPLICABLE JAE CONTACT FOR THIS HOUSING IS SHOWN AS FOLLOWS.  
 IL-A05-PC1(-5000)  
 5. MATED JAE SOCKET HOUSING IS SHOWN AS FOLLOWS.  
 IL-A05-22S-D301.  
 △ 6. THIS DIMENSION INDICATES THE CONTACT TIP WHEN CONTACT INSERTED.

- 注1. キャビNo. を浮き出す。  
 2. 端子No. を浮き出す。  
 3. 社標を浮き出す。  
 4. 本品の適用ターミナルは、日本航空電子工業(株)の下記ターミナルである。  
 IL-A05-PC1(-5000)  
 5. 相手側のソケットハウジングは、日本航空電子工業(株)の下記品名である。  
 IL-A05-22S-D301  
 △ 6. 本寸法は適用端子挿入時の端子先端位置を示す。

REFERENCE  
(参考)

1	PIN HOUSING	1	PBT	COLOR: GREEN	
符号 NO.	名称 DESCRIPTION	個数 QTY.	材料 MATERIAL	仕上 FINISH	備考 REMARKS
仕様書(SPECIFICATION)	JACS-1309-5 △	第1版(ORIGINAL DATE)	6.Feb.1992	尺(SCALE) 2:1	シリーズ(SERIES) IL-A05
公差(GENERAL TOLERANCE)		製図 DR.	H.KATOU	名称(TITLE)	IL-A05-22P-D301
寸法(DIMENSION)	角度(ANGLES)	担当 CHK.	Y.ICHIYAMA		
. ±0.2	X° ±	査閲 APPD.			
.XX ±	X°X' ±	承認 APPD.	K.MURAYAMA		
.XXX ±					
		質量(MASS)			

日本航空電子工業株式会社  
 JAPAN AVIATION  
 ELECTRONICS  
 INDUSTRY, LTD.  
 図面番号(DRAWING NO.)  
 SJ025955  
 版数  
(REV.)  
 7