



Chipsmall Limited consists of a professional team with an average of over 10 year of expertise in the distribution of electronic components. Based in Hongkong, we have already established firm and mutual-benefit business relationships with customers from,Europe,America and south Asia,supplying obsolete and hard-to-find components to meet their specific needs.

With the principle of “Quality Parts,Customers Priority,Honest Operation,and Considerate Service”,our business mainly focus on the distribution of electronic components. Line cards we deal with include Microchip,ALPS,ROHM,Xilinx,Pulse,ON,Everlight and Freescale. Main products comprise IC,Modules,Potentiometer,IC Socket,Relay,Connector.Our parts cover such applications as commercial,industrial, and automotives areas.

We are looking forward to setting up business relationship with you and hope to provide you with the best service and solution. Let us make a better world for our industry!



## Contact us

Tel: +86-755-8981 8866 Fax: +86-755-8427 6832

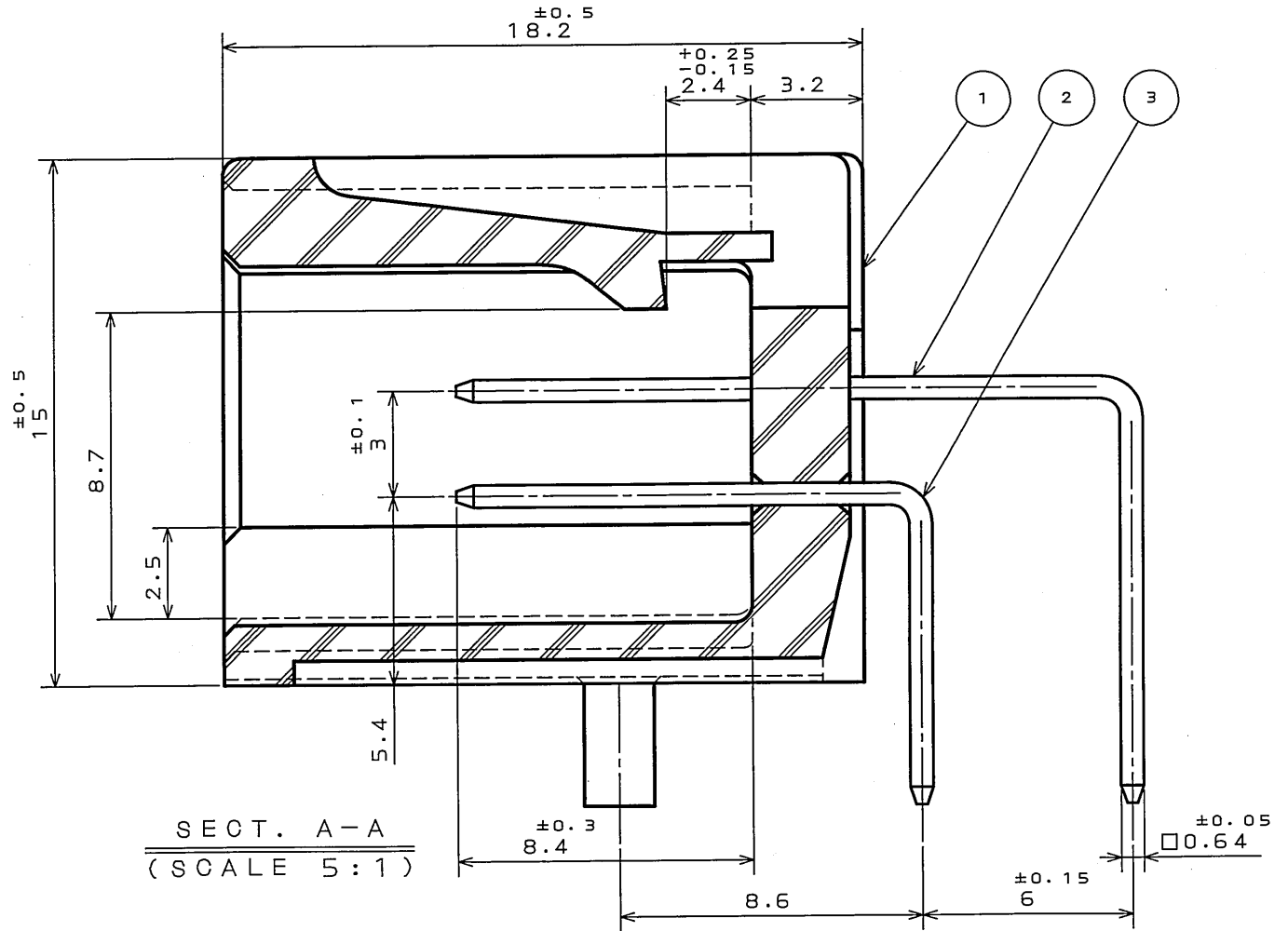
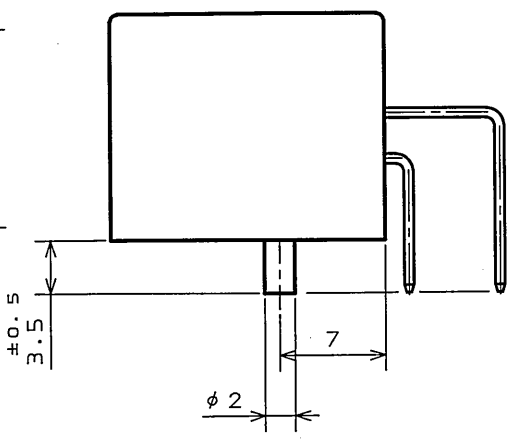
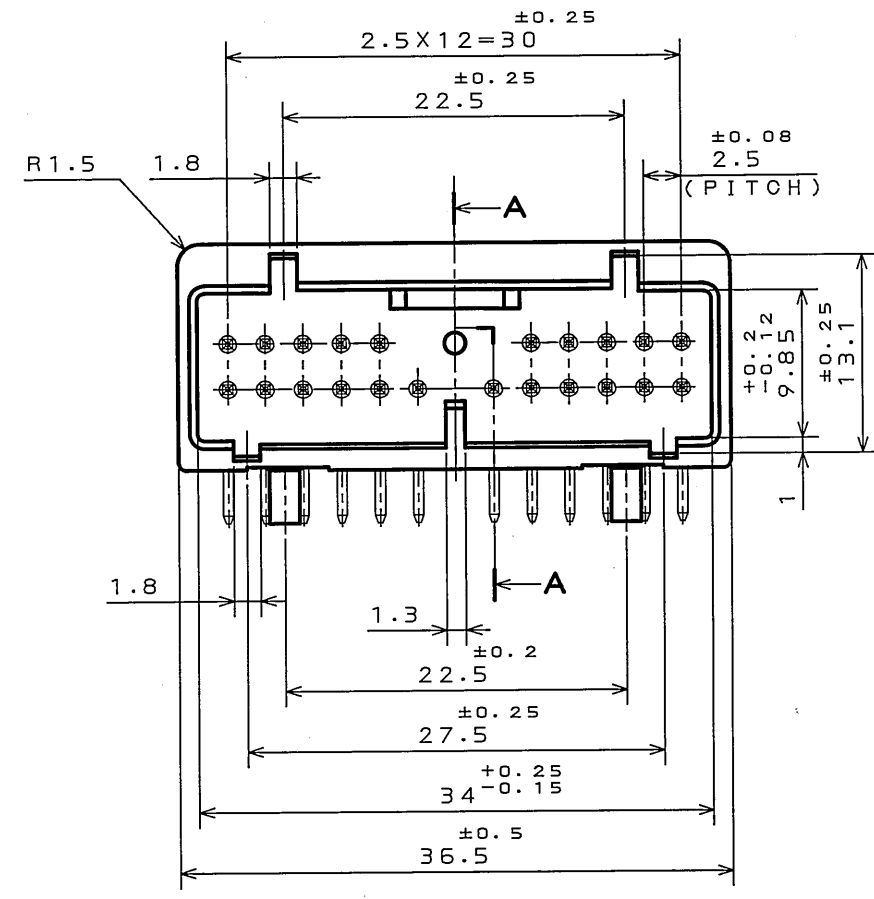
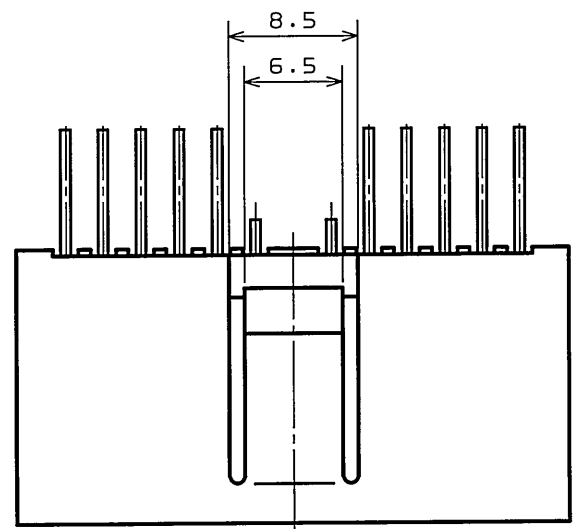
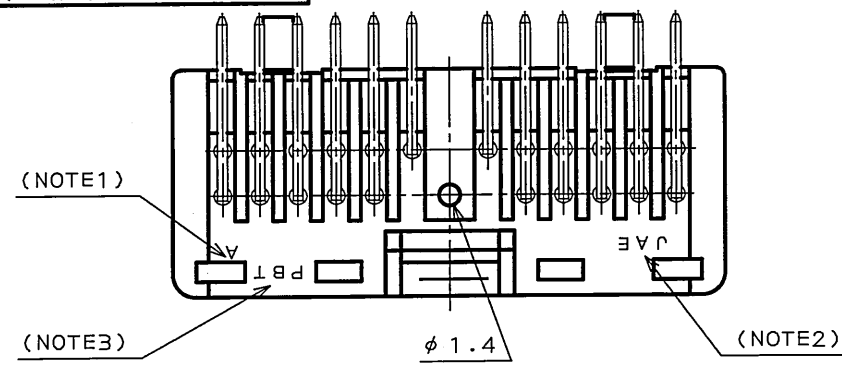
Email & Skype: info@chipsmall.com Web: www.chipsmall.com

Address: A1208, Overseas Decoration Building, #122 Zhenhua RD., Futian, Shenzhen, China



652320JS  
(DRAWING NO.) 図番

版数 REV.	年月日 DATE	DCN NO.	変更内容 DESCRIPTION	製図 DR.	担当 CHK.	査閲 APPD.	承認 APPD.
2	8.Sep.2003	053208	CHANGED TO BILINGUAL AND REDRAWN etc.		S.HARA	<i>T. Ichimori</i>	<i>K. Takeda</i>



SECT. A-A  
(SCALE 5:1)

- NOTE1. MOLD CAVITY DESIGNATOR APPEARS IN RAISED LETTERS. 注1. 金型マークを浮き出す。  
 2. COMPANY LOGO "JAE" APPEARS IN RAISED LETTERS. 2. 社標を浮き出す。  
 3. MATERIAL MARK APPEARS IN RAISED LETTERS. 3. 材料マークを浮き出す。  
 4. CONTACT TIP IS NOT PLATED AT POINT OF BREAK OFF. 4. コンタクト先端部に、メッキは付かない。

符号 NO.	名称 DESCRIPTION	個数 QTY.	材料 MATERIAL	仕上 FINISH	備考 REMARKS
3	CONTACT B	12	BRASS	TIN PLATING	
2	CONTACT A	10	BRASS	TIN PLATING	
1	INSULATOR	1	P B T		COLOR: GREEN

仕様書 (SPECIFICATION) JACS-1309	第1版 (ORIGINAL DATE) 11.Nov.1988	尺 (SCALE) 2:1	シリーズ (SERIES) IL-A05	社名 (COMPANY) 日本航空電子工業株式会社
公差 (GENERAL TOLERANCE)	製図 (DRAWING) DR. H.TSUCHIYA	<b>JAE-CONNECTOR.COM</b> Reference Only JAPAN AVIATION ELECTRONICS INDUSTRY, LTD.		
寸法 (DIMENSION)	担当 (CHECKER) CHK. Y.ICHIMORI			
角度 (ANGLES)	査閲 (APPROVED) APPD. I.IIMORI			
	承認 (APPROVED) APPD. K.TAKEDA			
重量 (WEIGHT)		名称 (TITLE) IL-A05-22P-D3L2		

DOF-O-212E(03.08)

