



Chipsmall Limited consists of a professional team with an average of over 10 year of expertise in the distribution of electronic components. Based in Hongkong, we have already established firm and mutual-benefit business relationships with customers from,Europe,America and south Asia,supplying obsolete and hard-to-find components to meet their specific needs.

With the principle of “Quality Parts,Customers Priority,Honest Operation,and Considerate Service”,our business mainly focus on the distribution of electronic components. Line cards we deal with include Microchip,ALPS,ROHM,Xilinx,Pulse,ON,Everlight and Freescale. Main products comprise IC,Modules,Potentiometer,IC Socket,Relay,Connector.Our parts cover such applications as commercial,industrial, and automotives areas.

We are looking forward to setting up business relationship with you and hope to provide you with the best service and solution. Let us make a better world for our industry!



Contact us

Tel: +86-755-8981 8866 Fax: +86-755-8427 6832

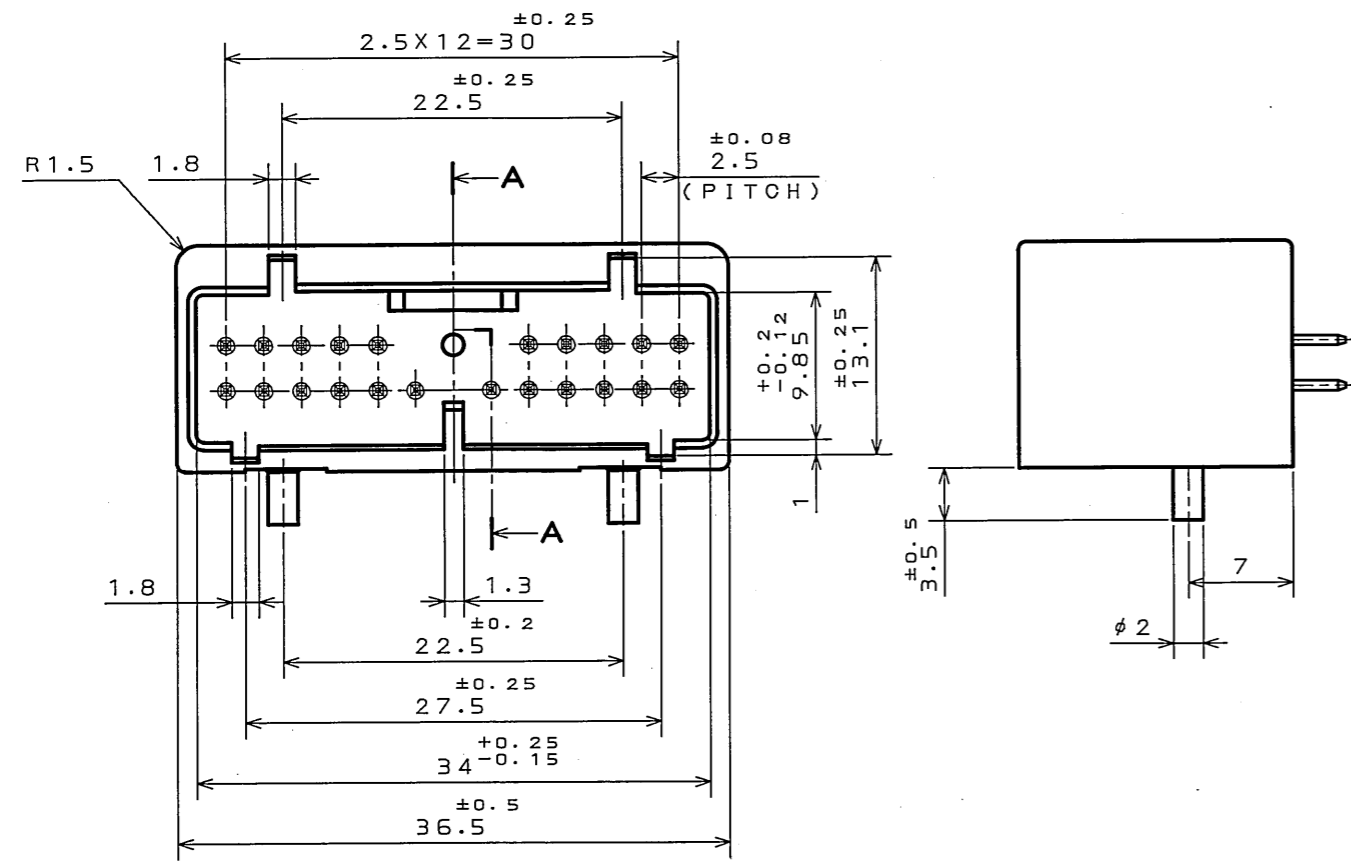
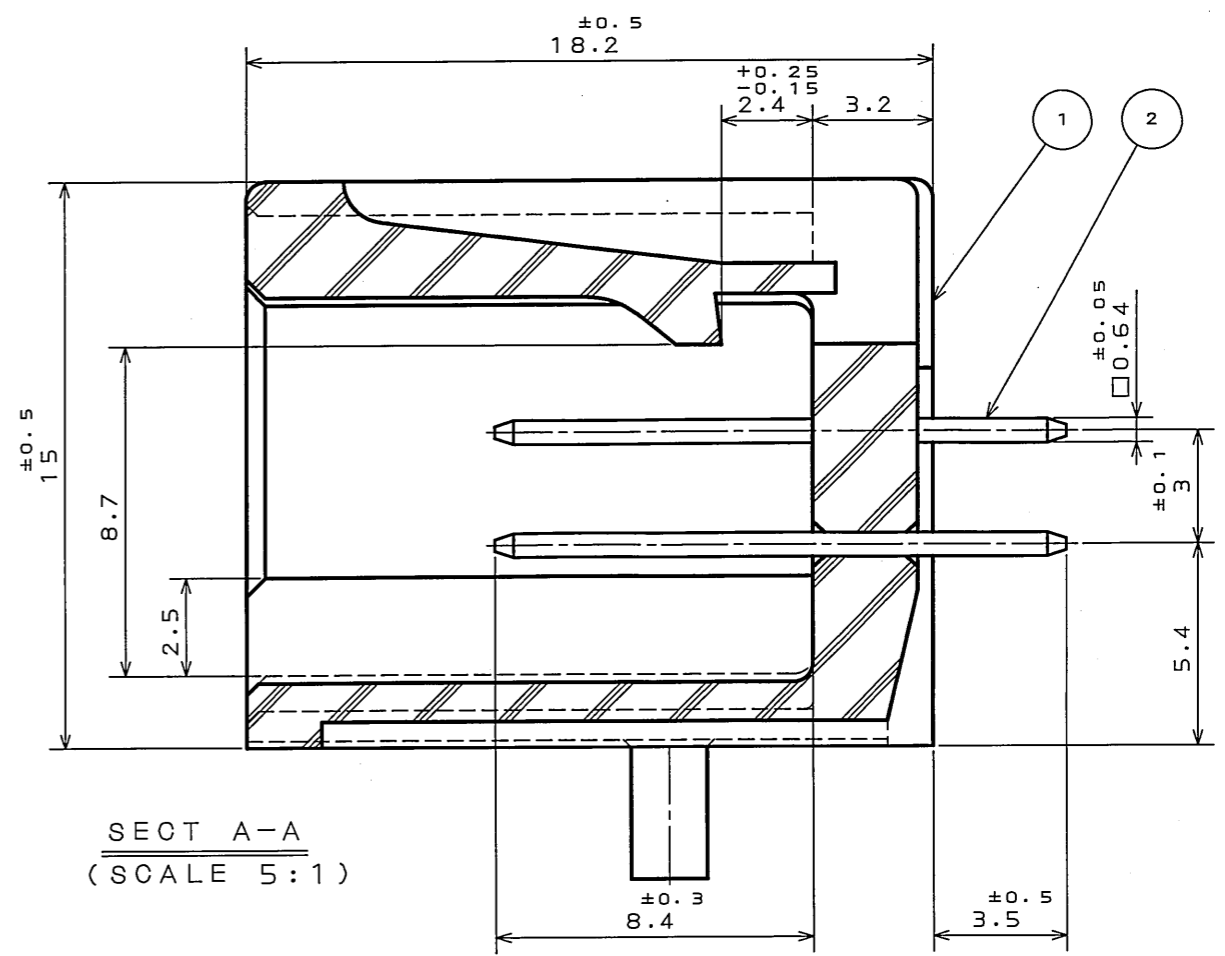
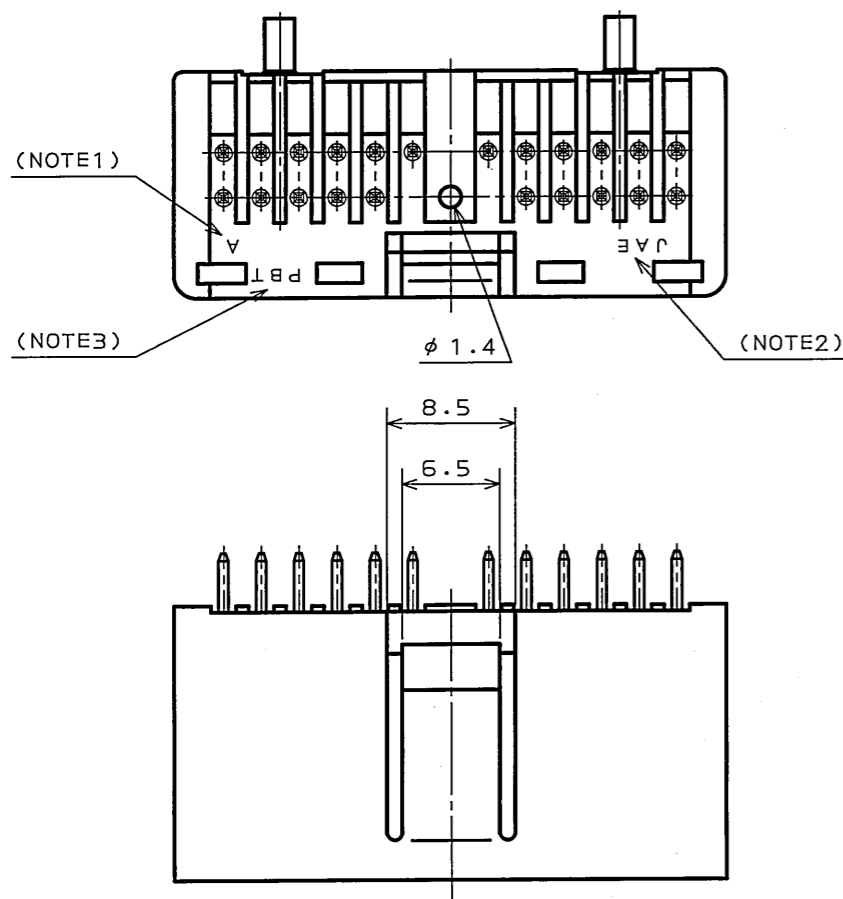
Email & Skype: info@chipsmall.com Web: www.chipsmall.com

Address: A1208, Overseas Decoration Building, #122 Zhenhua RD., Futian, Shenzhen, China



85Z3258
(DRAWING NO.)

版数 REV.	年月日 DATE	CON NO.	変更内容 DESCRIPTION	製図 DR.	担当 CHK.	査閲 APPD.	承認 APPD.
2	8.Sep.2003	053208	CHANGED TO BILINGUAL AND REDRAWN etc.		S.HARA	<i>T. Ichiyama</i>	<i>K. Takeda</i>



- NOTE1. MOLD CAVITY DESIGNATOR APPEARS IN RAISED LETTERS.
 2. COMPANY LOGO "JAE" APPEARS IN RAISED LETTERS.
 3. MATERIAL MARK APPEARS IN RAISED LETTERS.
 4. CONTACT TIP IS NOT PLATED AT POINT OF BREAK OFF.
- 注1. 金型マークを浮き出す。
 2. 社標を浮き出す。
 3. 材料マークを浮き出す。
 4. コンタクト先端部に、メッキは付かない。

2	CONTACT	22	BRASS	TIN PLATING	
1	INSULATOR	1	PBT		COLOR: GREEN
符号 NO.	名称 DESCRIPTION	個数 QTY.	材料 MATERIAL	仕上 FINISH	備考 REMARKS
仕様書 (SPECIFICATION) JACS-1309		第1版 (ORIGINAL DATE) 11.Nov.1988		JAE-CONNECTOR.COM IL-A05	
公差 (GENERAL TOLERANCE)		製図 DR. H.TSUCHIYA		名称 (TITLE) IL-A05-22P -D3T2	
寸法 (DIMENSION) 角度 (ANGLES)		担当 CHK. Y.ICHIYAMA		JAVIATION ELECTRONICS INDUSTRY, LTD.	
. ± 0.2 X° ±		査閲 APPD. I.IIMORI		図面番号 (DRAWING NO.) SJ023258	
.X ± 0.2 X°X'±		承認 APPD. K.TAKEDA			
.XX ±		重量 (WEIGHT)			
.XXX ±				版数 (REV.) 2	

DOF-0-212E(03.08)

