



Chipsmall Limited consists of a professional team with an average of over 10 year of expertise in the distribution of electronic components. Based in Hongkong, we have already established firm and mutual-benefit business relationships with customers from,Europe,America and south Asia,supplying obsolete and hard-to-find components to meet their specific needs.

With the principle of “Quality Parts,Customers Priority,Honest Operation,and Considerate Service”,our business mainly focus on the distribution of electronic components. Line cards we deal with include Microchip,ALPS,ROHM,Xilinx,Pulse,ON,Everlight and Freescale. Main products comprise IC,Modules,Potentiometer,IC Socket,Relay,Connector.Our parts cover such applications as commercial,industrial, and automotives areas.

We are looking forward to setting up business relationship with you and hope to provide you with the best service and solution. Let us make a better world for our industry!



Contact us

Tel: +86-755-8981 8866 Fax: +86-755-8427 6832

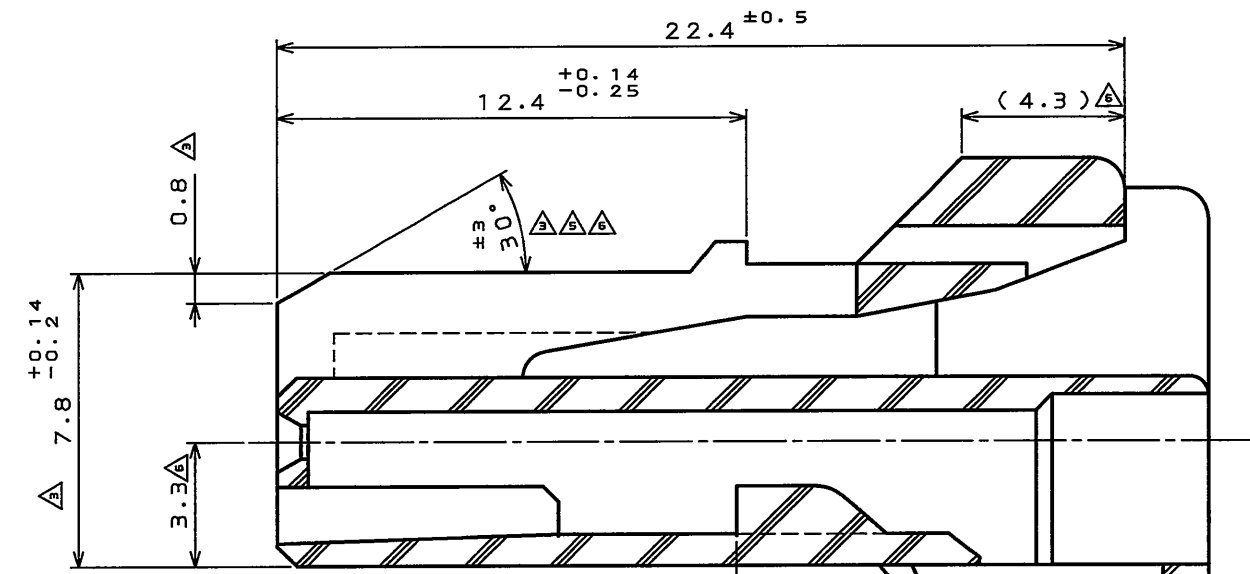
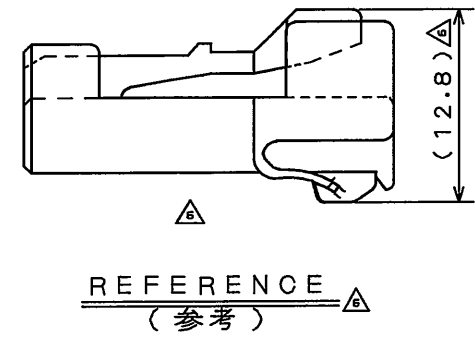
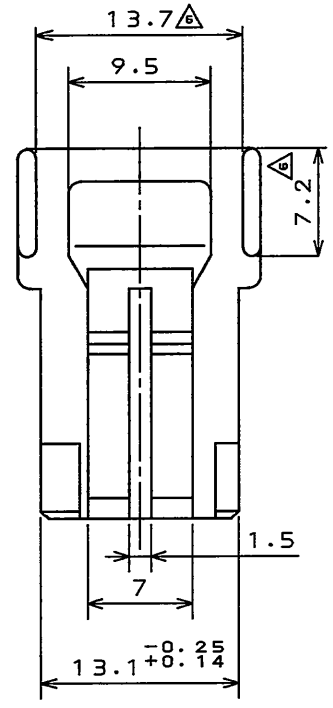
Email & Skype: info@chipsmall.com Web: www.chipsmall.com

Address: A1208, Overseas Decoration Building, #122 Zhenhua RD., Futian, Shenzhen, China

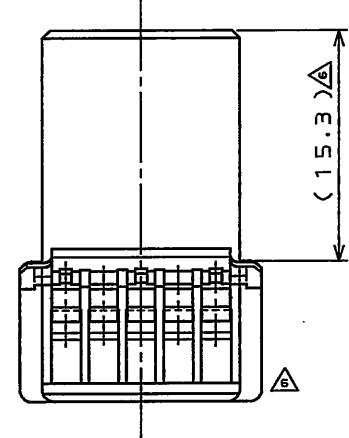
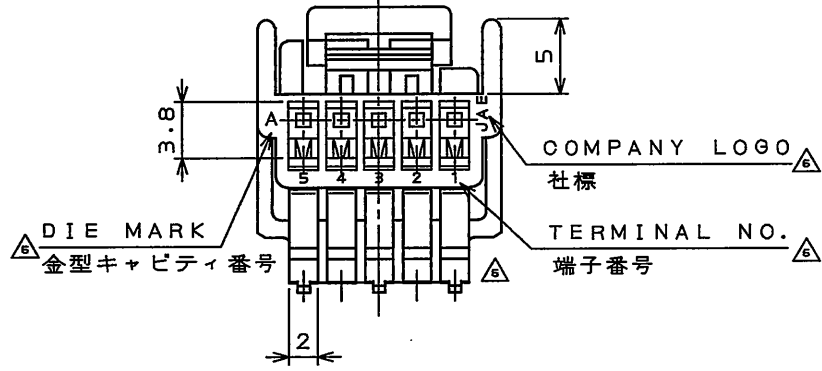
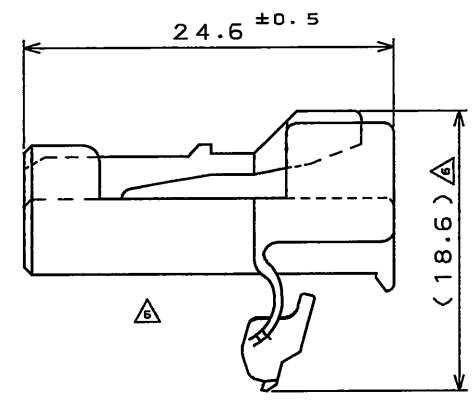
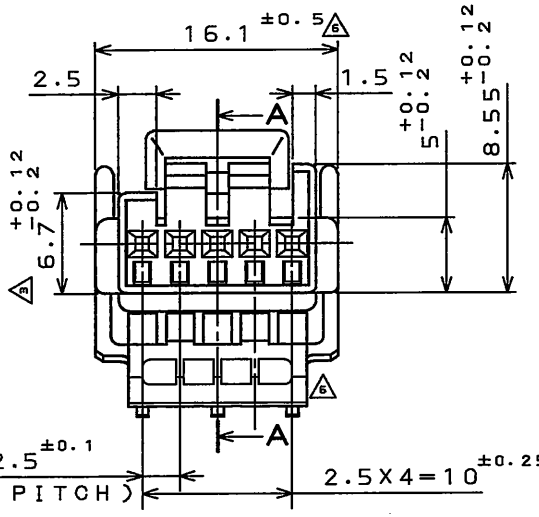


版数 REV.	年月日 DATE	DCN NO.	変更内容 DESCRIPTION	製図 DR.	担当 CHK.	査閲 APPD.	承認 APPD.
2	11.Nov.1988	24547	REVISED FORM AND REDRAWN				
3	4.Apr.1989	25101	REVISED FORM		I.ICHIMURA	I.IIMORI	K.TAKEDA
4	8.Sep.2003	053208	CHANGED TO BILINGUAL AND REDRAWN etc.		S.HARA	T.ISHIWA	Y.HAYASHI
5	28.Apr.2005	057281	ADD ANGLE TOLERANCE	T.ISHIWA	S.HARA		T.ISHIWA
6	21.Dec.2009	069108	REVISED FORM etc	T.KINOSHITA	T.MAEDA		T.Kume

SJ022870
(図面番号 (DRAWING NO.))



SECT. A-A
(SCALE 5:1)



1	HOUSING	1	PBT	COLOR: LIGHT BLUE	
符号 NO.	名称 DESCRIPTION	個数 QTY.	材料 MATERIAL	仕上 FINISH	備考 REMARKS
仕様書 (SPECIFICATION)		第1版 (ORIGINAL DATE)		尺度 (SCALE)	シリーズ (SERIES)
JACS-1309(-E)		10.Feb.1988		2:1	IL-A05
J AHL-1309(-E)		製図 DR.	H.TUCHIYA	名称 (TITLE)	
公差 (GENERAL TOLERANCE)		担当 CHK.	Y.ICHIMURA	IL-A05-5SK	
寸法 (DIMENSION)	角度 (ANGLES)	査閲 APPD.	I.IIMORI	-S3C1-LB	
. ±0.2	X° ±	承認 APPD.	K.TAKEDA	質量 (MASS)	日本航空電子工業株式会社 JAPAN AVIATION ELECTRONICS INDUSTRY, LTD. 図面番号 (DRAWING NO.) SJ022870
.X ±0.2	X°X' ±				
.XX ±					
.XXX ±					版数 (REV.) 6

DOF-0-212E(03.08)

