



Chipsmall Limited consists of a professional team with an average of over 10 year of expertise in the distribution of electronic components. Based in Hongkong, we have already established firm and mutual-benefit business relationships with customers from,Europe,America and south Asia,supplying obsolete and hard-to-find components to meet their specific needs.

With the principle of “Quality Parts,Customers Priority,Honest Operation,and Considerate Service”,our business mainly focus on the distribution of electronic components. Line cards we deal with include Microchip,ALPS,ROHM,Xilinx,Pulse,ON,Everlight and Freescale. Main products comprise IC,Modules,Potentiometer,IC Socket,Relay,Connector.Our parts cover such applications as commercial,industrial, and automotives areas.

We are looking forward to setting up business relationship with you and hope to provide you with the best service and solution. Let us make a better world for our industry!



Contact us

Tel: +86-755-8981 8866 Fax: +86-755-8427 6832

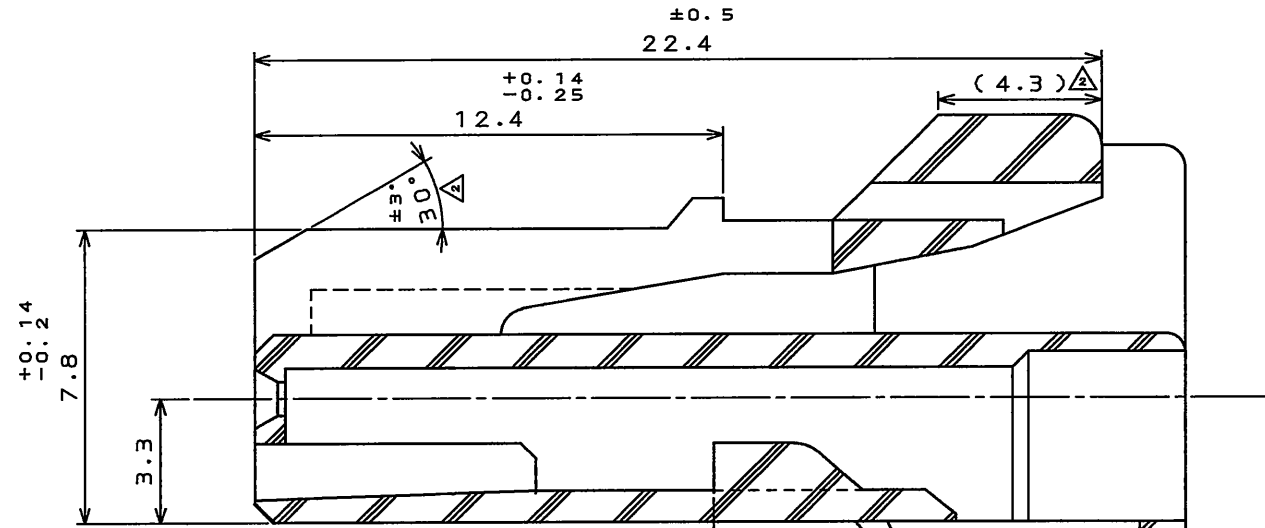
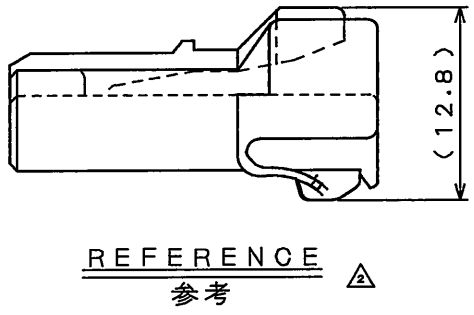
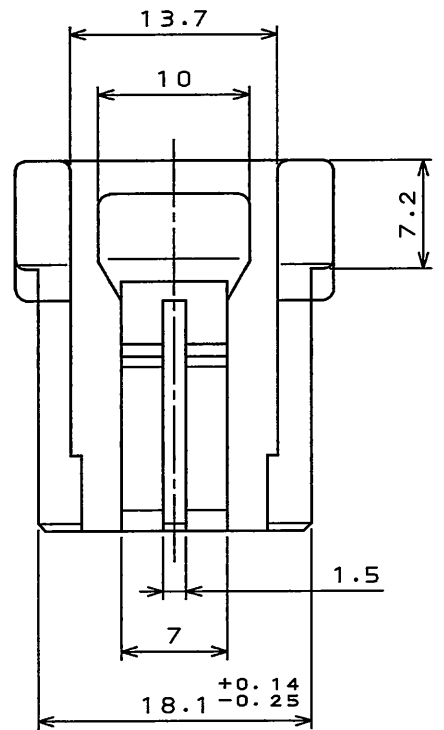
Email & Skype: info@chipsmall.com Web: www.chipsmall.com

Address: A1208, Overseas Decoration Building, #122 Zhenhua RD., Futian, Shenzhen, China

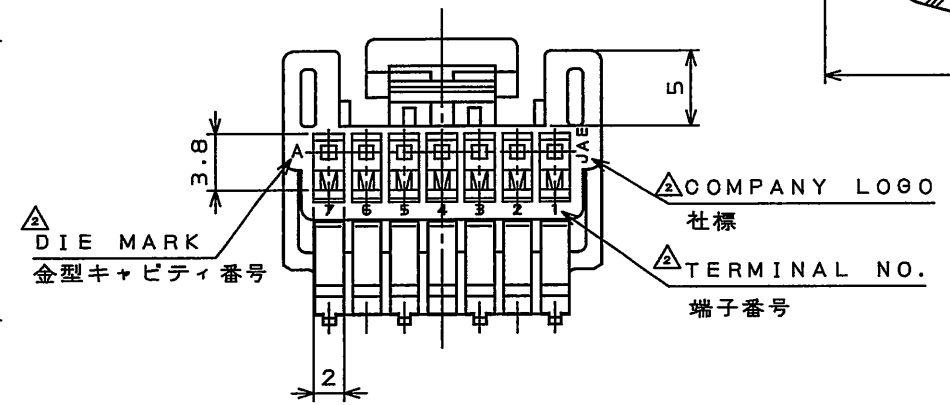
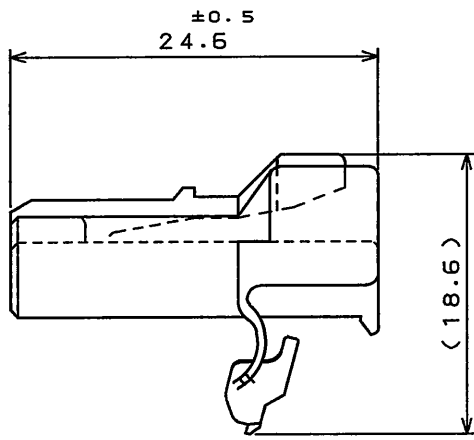
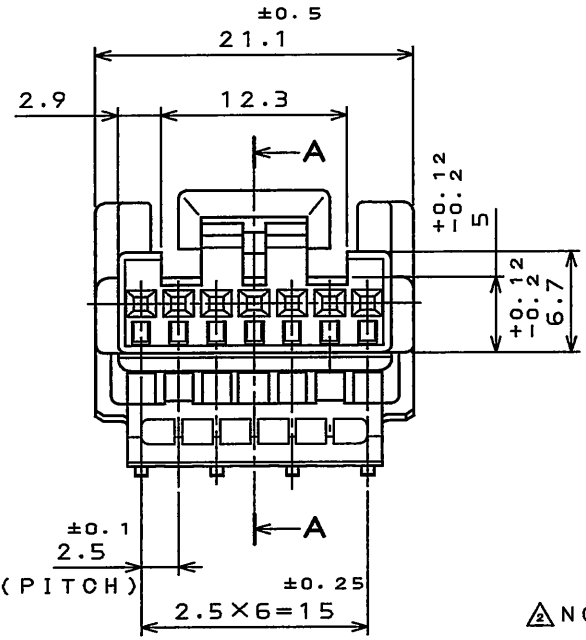


SJ037408
(ON 0NIMARD) 台標理図

版数 REV.	年月日 DATE	DCN NO.	変更内容 DESCRIPTION	製図 DR.	担当 CHK.	査閲 APPD.	承認 APPD.
2	29.Oct.2009	068839	CHANGE DRAWING FORMAT ADD DIMENSION etc		T.MAEDA		T.KUME
3	17.Dec.2009	069168	REVISED DIMENSION	T.KINOSHITA	T.MAEDA		T.Kume



SECT. A-A
(SCALE 5:1)



△NOTE1. THIS PRODUCT IS DIFFERENT FROM IL-A05-7PS-S301(SJ022873) IN COLOR.

△注1. 本品はIL-A05-7S-S301(SJ022873)とは色相のみ異なります。

1	HOUSING △	1	PBT	仕上 FINISH		COLOR: BLACK
符号 NO.	名称 DESCRIPTION	個数 QTY.	材料 MATERIAL	備考 REMARKS		
仕様書(SPECIFICATION) JACS-1309(-E) JAHL-1309(-E) △		第1版(ORIGINAL DATE) 20.Nov.2002		尺度(SCALE) 2:1	シリーズ(SERIES) IL-A05	日本航空電子工業株式会社 JAPAN AVIATION ELECTRONICS INDUSTRY, LTD.
公差(GENERAL TOLERANCE)		製図 DR.		名称(TITLE) IL-A05-7S-S301-B		図面番号(DRAWING NO.) SJ037408
寸法(DIMENSION) 角度(ANGLES)		担当 CHK. S.HARA		質量(MASS)		
. ± 0.2 ° ±		査閲 APPD. T.ISHIWA		◎		
.X ± 0.2 °X' ±		承認 APPD. Y.HAYASHI				
.XX ±						版数 (REV.)
.XXX ±						3

DOF-0-212F(05.08)

