



Chipsmall Limited consists of a professional team with an average of over 10 year of expertise in the distribution of electronic components. Based in Hongkong, we have already established firm and mutual-benefit business relationships with customers from,Europe,America and south Asia,supplying obsolete and hard-to-find components to meet their specific needs.

With the principle of “Quality Parts,Customers Priority,Honest Operation,and Considerate Service”,our business mainly focus on the distribution of electronic components. Line cards we deal with include Microchip,ALPS,ROHM,Xilinx,Pulse,ON,Everlight and Freescale. Main products comprise IC,Modules,Potentiometer,IC Socket,Relay,Connector.Our parts cover such applications as commercial,industrial, and automotives areas.

We are looking forward to setting up business relationship with you and hope to provide you with the best service and solution. Let us make a better world for our industry!



Contact us

Tel: +86-755-8981 8866 Fax: +86-755-8427 6832

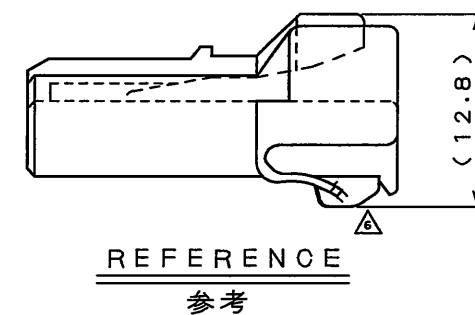
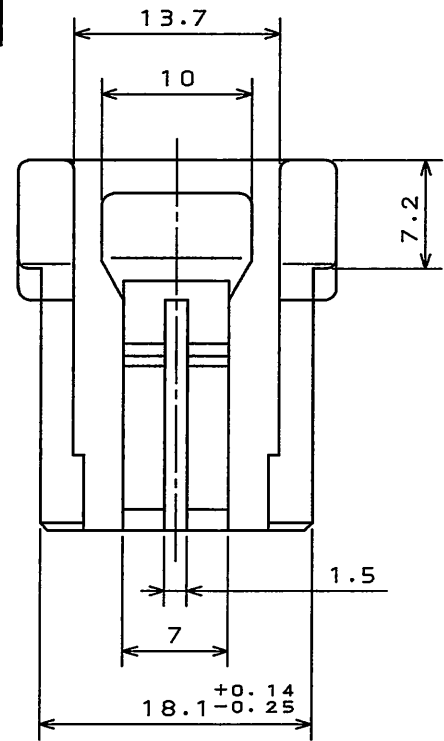
Email & Skype: info@chipsmall.com Web: www.chipsmall.com

Address: A1208, Overseas Decoration Building, #122 Zhenhua RD., Futian, Shenzhen, China

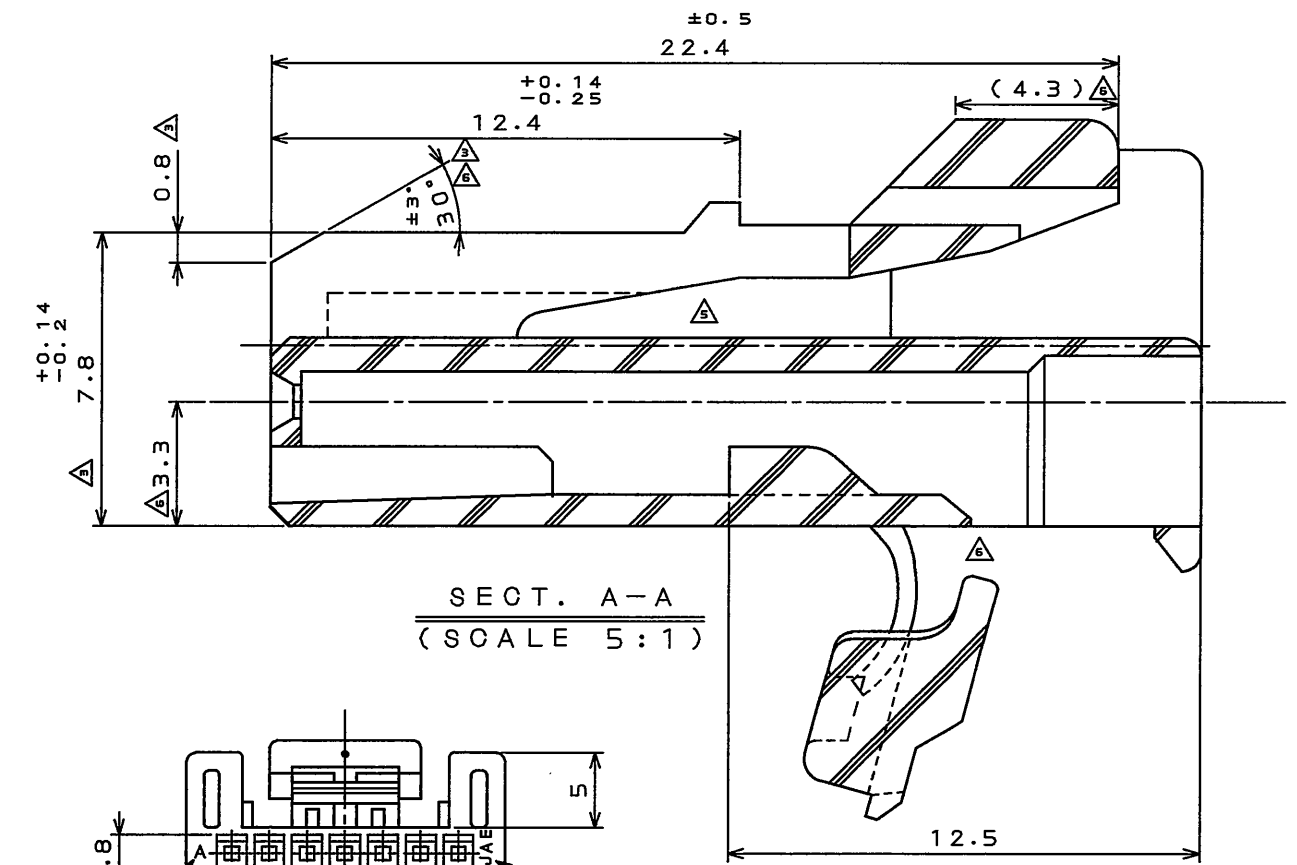


SJ022873

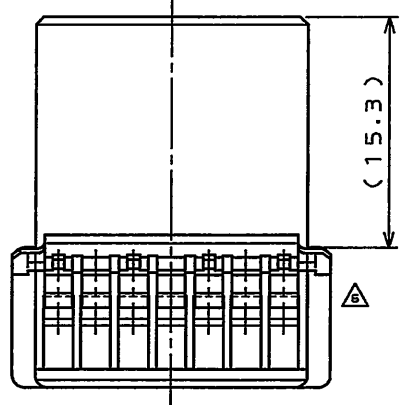
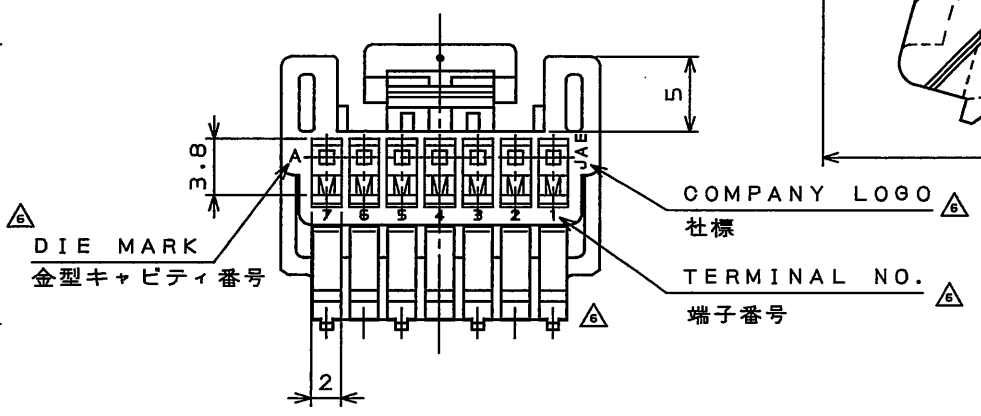
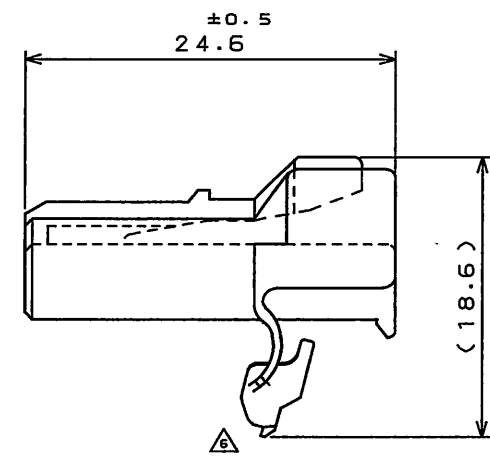
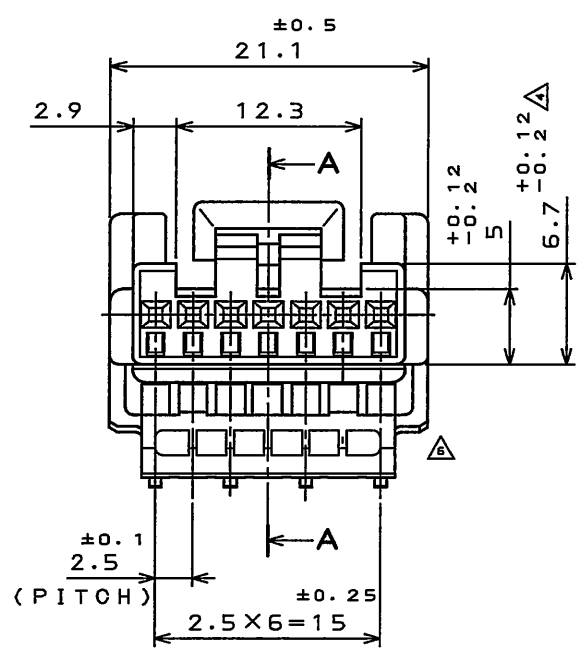
(ON 0NIMVH) 台製図



版数 REV.	年月日 DATE	DCN NO.	変更内容 DESCRIPTION	製図 DR.	担当 CHK.	査閲 APPD.	承認 APPD.
2	27.Jan.1989	24883	REVISED FORM AND REDRAWN				
3	15.Feb.1989	24979	CHANGED TITLE	E.MURANO	Y.ICHIYAMA	I.IIMORI	K.TAKEDA
4	4.Apr.1989	25101	REVISED FORM		Y.ICHIYAMA	I.IIMORI	K.TAKEDA
5	8.Sep.2003	053208	CHANGED TO BILINGUAL AND REDRAWN etc.		S.HARA	T.ISHIWA	Y.HAYASHI
6	29.Oct.2009	068839	CHANGE DRAWING FORMAT ADD DIMENSION etc		T.MAEDA		T.KUME
7	17.Dec.2009	069168	REVISED DIMENSION	T.KINOSHITA	T.MAEDA		T.Kume



SECT. A-A
(SCALE 5:1)



1	HOUSING	1	PBT	COLOR: GREEN	
符号 NO.	名称 DESCRIPTION	個数 QTY.	材料 MATERIAL	仕上 FINISH	備考 REMARKS
仕様書 (SPECIFICATION)	JACS-1309(-E) JABL-1309(-E)	第1版 (ORIGINAL DATE)	10.Feb.1988	尺度 (SCALE)	シリーズ (SERIES)
公差 (GENERAL TOLERANCE)		製図 DR.	H.TSUCHIYA	2:1	IL-A05
寸法 (DIMENSION)	角度 (ANGLES)	担当 CHK.	Y.ICHIYAMA	名称 (TITLE)	
. ±0.2	X° ±	査閲 APPD.	I.IIMORI	IL-A05-7S-S3C1	日本航空電子工業株式会社 JAPAN AVIATION ELECTRONICS INDUSTRY, LTD.
.X ±0.2	X°X' ±	承認 APPD.	H.KAWAMURA	質量 (MASS)	図面番号 (DRAWING NO.)
.XX ±					SJ022873
.XXX ±					版数 (REV.)
.XXX ±					7

DOF-0-212F(05.08)

