



Chipsmall Limited consists of a professional team with an average of over 10 year of expertise in the distribution of electronic components. Based in Hongkong, we have already established firm and mutual-benefit business relationships with customers from,Europe,America and south Asia,supplying obsolete and hard-to-find components to meet their specific needs.

With the principle of “Quality Parts,Customers Priority,Honest Operation,and Considerate Service”,our business mainly focus on the distribution of electronic components. Line cards we deal with include Microchip,ALPS,ROHM,Xilinx,Pulse,ON,Everlight and Freescale. Main products comprise IC,Modules,Potentiometer,IC Socket,Relay,Connector.Our parts cover such applications as commercial,industrial, and automotives areas.

We are looking forward to setting up business relationship with you and hope to provide you with the best service and solution. Let us make a better world for our industry!



Contact us

Tel: +86-755-8981 8866 Fax: +86-755-8427 6832

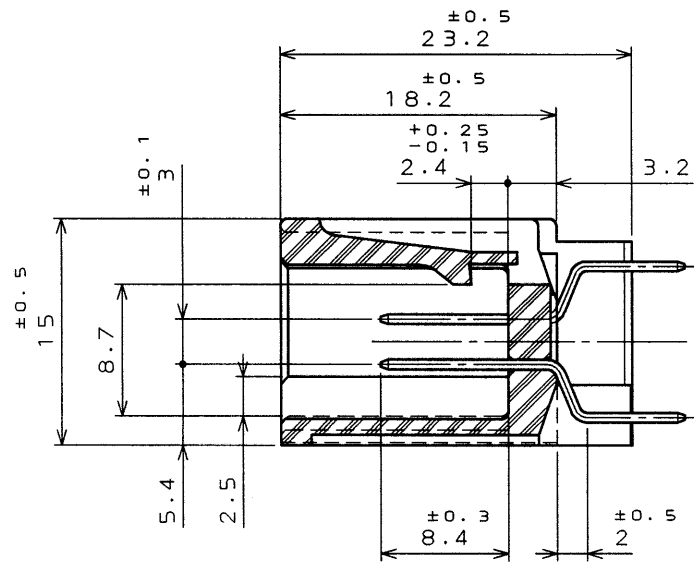
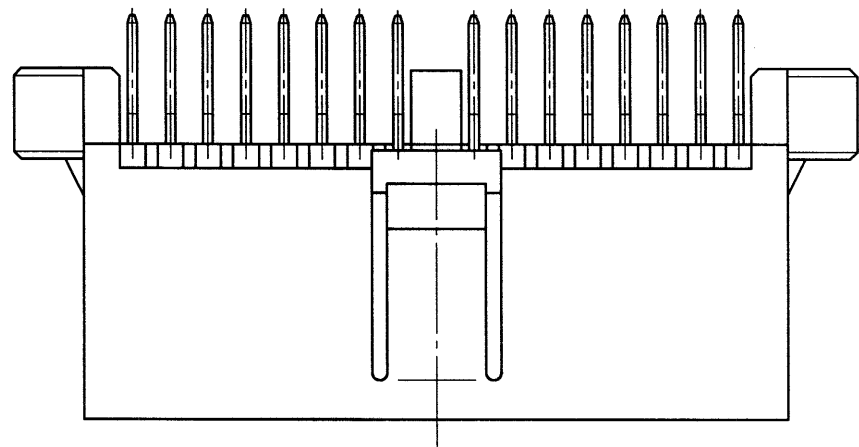
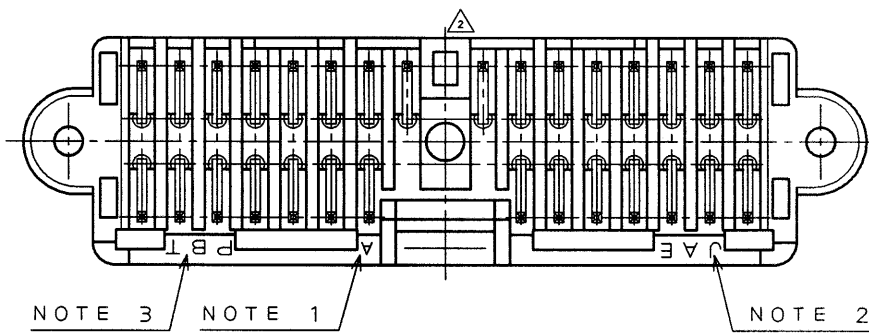
Email & Skype: info@chipsmall.com Web: www.chipsmall.com

Address: A1208, Overseas Decoration Building, #122 Zhenhua RD., Futian, Shenzhen, China

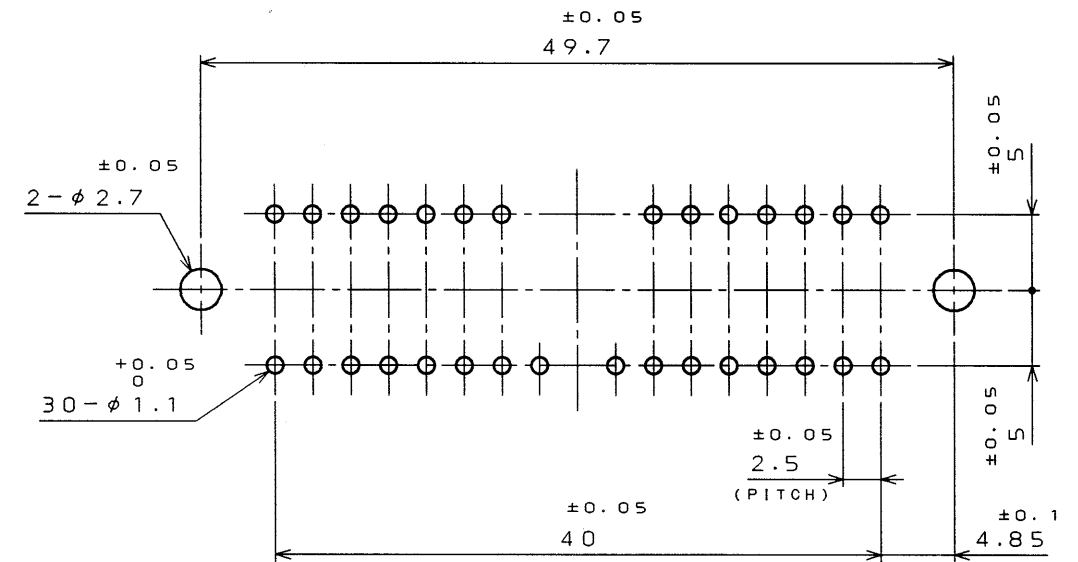


SSSEEOFS
(ON ANIMAS) 台異理図

版数 REV.	年月日 DATE	DCN NO.	変更内容 DESCRIPTION	製図 DR.	担当 CHK.	査閲 APPD.	承認 APPD.
2	30.JUL.1999	44507	ADDED SINK RELIEF		N.OGAWA	A. Ohno	Y. Ichiyama



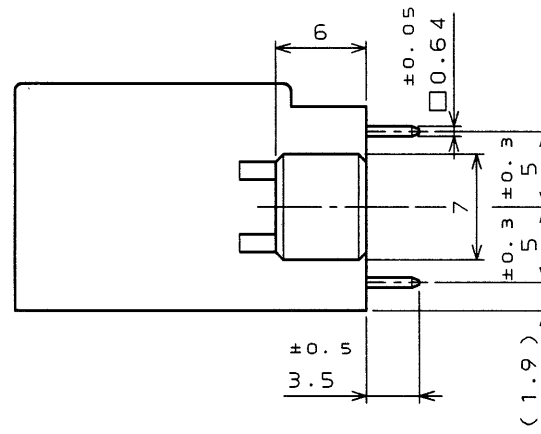
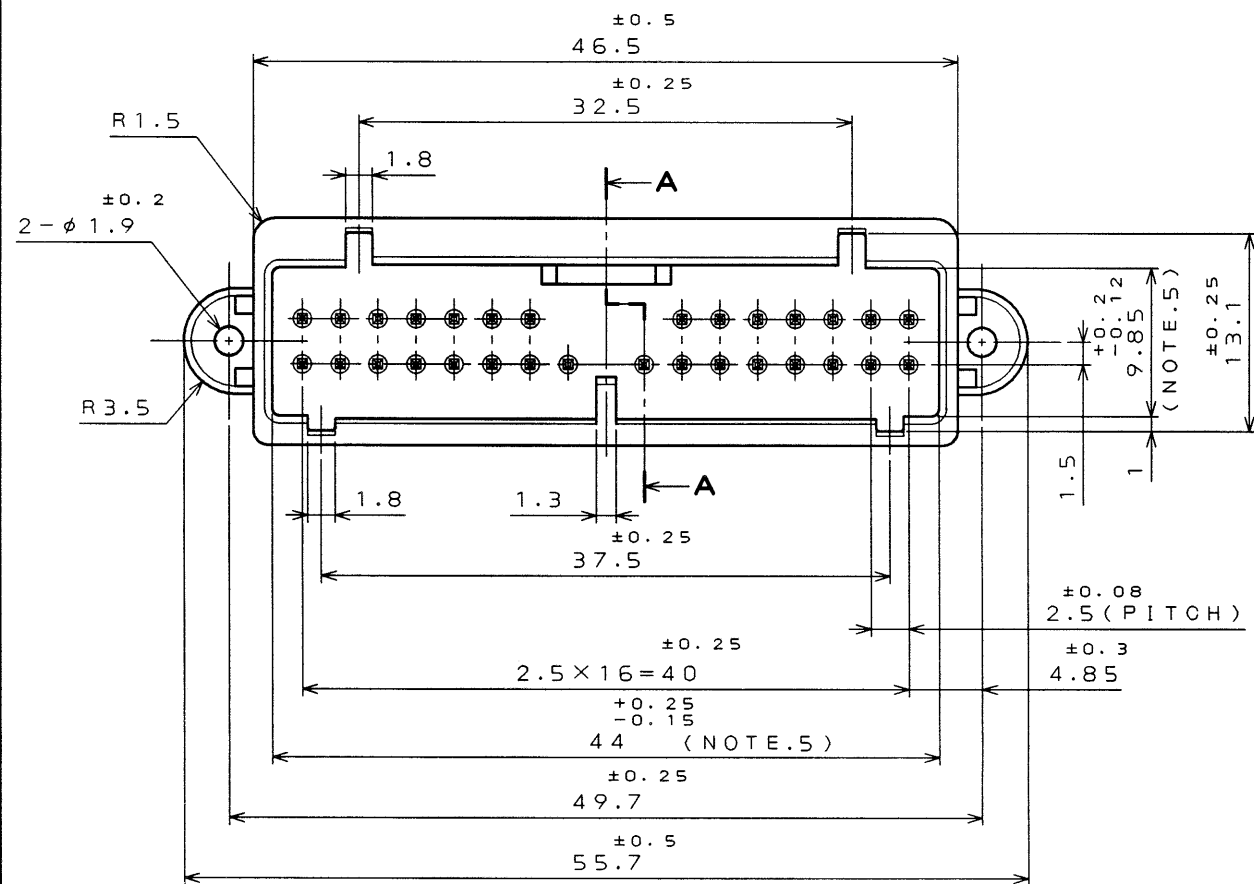
SECT. A-A



APPLICABLE P.C.B. DIMENTION.(REF.)

基板取付寸法(参考)

THICKNESS t1.6
基板厚 t1.6



- NOTE 1. ENBOSS CAVITY DESIGNATOR.
 2. ENBOSS COMPANY LOGO DESIGNATOR.
 3. ENBOSS MATERIAL LETTERS.
 4. NO PLATING ON THE CHAMFERED ENDS CONTACT.
 5. THIS DEMENTION MEANS DISTANCE OF BOTTOM SIDE.

- 注 1. 金型マークを浮き出す。
 2. 社標を浮き出す。
 3. 材料マークを浮き出す。
 4. コンタクト先端部に、メッキは付かない。
 5. 本寸法は、奥部寸法である。

2	CONTACT	30	BRASS	TIN PLATED	
1	INSULATOR	1	PBT		COLOR: GREEN
符号 NO.	名称 DESCRIPTION	個数 QTY.	材料 MATERIAL	仕上 FINISH	備考 REMARKS
仕様書(SPECIFICATION)	JACS-1309	第1版(ORIGINAL DATE) 17.Sep.1998		2:1 IL-AG7	日本航空電子工業株式会社 JAPAN AVIATION ELECTRONICS INDUSTRY, LTD.
公差(GENERAL TOLERANCE)		製図 DR.	K.HASEBE	名称(TITLE)	IL-AG7-30P-D3T2
寸法(DIMENSION)	角度(ANGLES)	担当 CHK.	T.KUME		PIN HEADER
. ±0.8	° ±	査閲 APPD.	Y. ICHIYAMA		重量(WEIGHT)
.X ±0.4	°X ±	承認 APPD.			図面番号(DRAWING NO.)
.XX ±					SJ033555
.XXX ±					

DOF-C-212D(98.02)

CDS-98-110-10461
SIZE A3