



Chipsmall Limited consists of a professional team with an average of over 10 year of expertise in the distribution of electronic components. Based in Hongkong, we have already established firm and mutual-benefit business relationships with customers from,Europe,America and south Asia,supplying obsolete and hard-to-find components to meet their specific needs.

With the principle of “Quality Parts,Customers Priority,Honest Operation,and Considerate Service”,our business mainly focus on the distribution of electronic components. Line cards we deal with include Microchip,ALPS,ROHM,Xilinx,Pulse,ON,Everlight and Freescale. Main products comprise IC,Modules,Potentiometer,IC Socket,Relay,Connector.Our parts cover such applications as commercial,industrial, and automotives areas.

We are looking forward to setting up business relationship with you and hope to provide you with the best service and solution. Let us make a better world for our industry!



Contact us

Tel: +86-755-8981 8866 Fax: +86-755-8427 6832

Email & Skype: info@chipsmall.com Web: www.chipsmall.com

Address: A1208, Overseas Decoration Building, #122 Zhenhua RD., Futian, Shenzhen, China



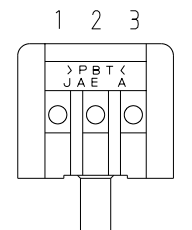
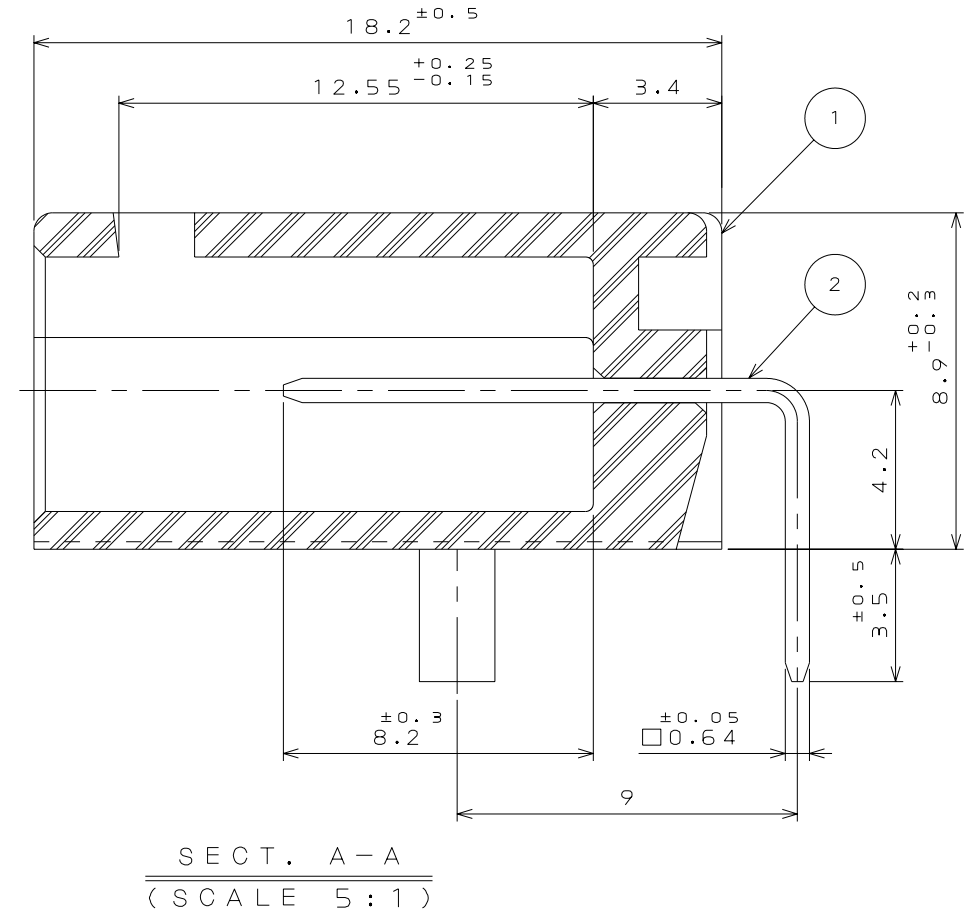
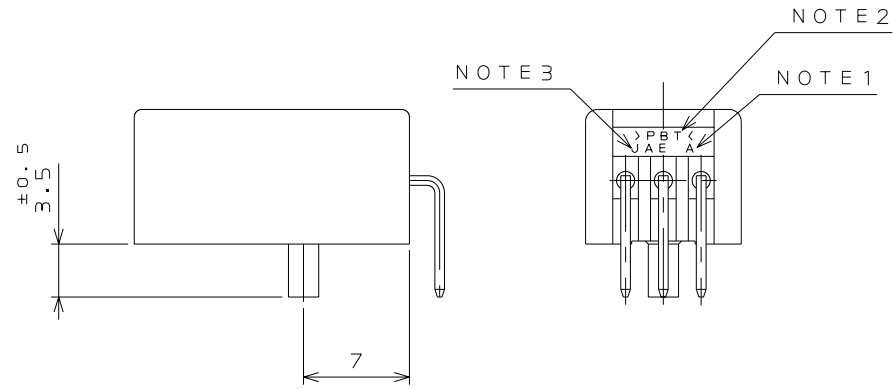
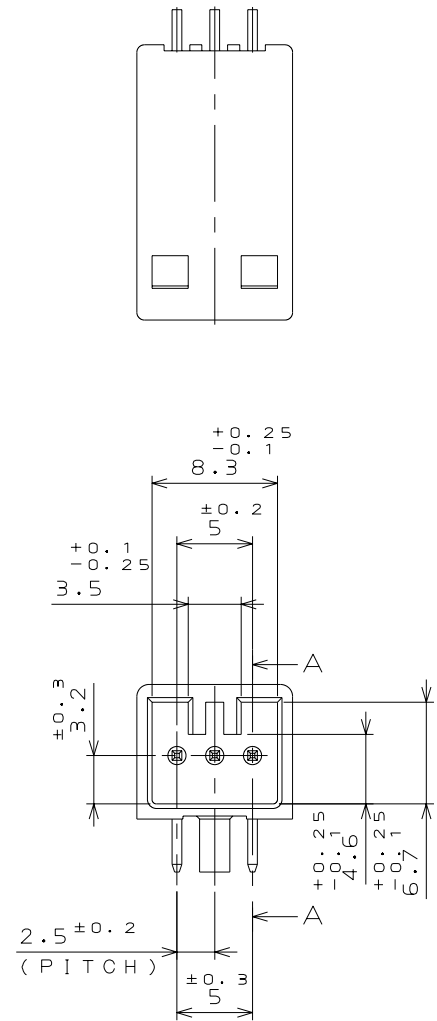
ESJ101RS

(DRAWING NO.) 図番

REFERENCE ONLY

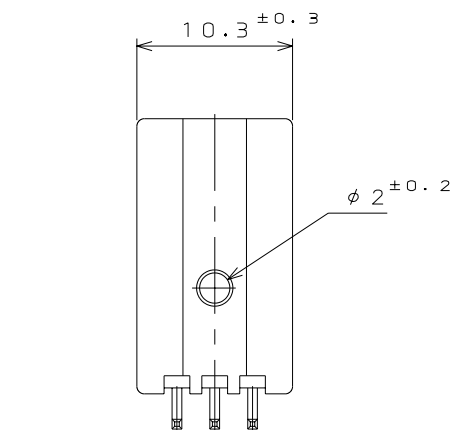


版数 REV.	年月日 DATE	DCN NO.	変更内容 DESCRIPTION	製図 DR.	担当 CHK.	査閲 APPD.	承認 APPD.



- NOTE 1. TOOLING MARK APPEARS IN RAISED LETTERS.
 NOTE 2. MATERIAL MARK APPEARS IN RAISED LETTERS.
 NOTE 3. COMPANY LOGO "JAE" APPEARS IN RAISED LETTERS.
 NOTE 4. THE RIGHT FIGURE SHOWED A CONTACT NUMBER.

- 注 1. 金型マークを浮き出す。
 注 2. 材料マークを浮き出す。
 注 3. 社標を浮き出す。
 注 4. 端子番号は右図による。



2	CONTACT	3	BRASS	TIN PLATING	
1	INSULATOR	1	PBT		COLOR: GREEN
符号 NO.	名称 DESCRIPTION	個数 QTY.	材料 MATERIAL	仕上 FINISH	備考 REMARKS
仕様書 (SPECIFICATION) JACS-1309		第1版 (ORIGINAL DATE) 3.Aug.2004		尺度 (SCALE) 2:1	シリーズ (SERIES) IL-AG9
公差 (GENERAL TOLERANCE)		製図 DR.		名称 (TITLE) IL-AG9-3PL-S3L2	
寸法 (DIMENSION)	角度 (ANGLES)	担当 CHK.	Y.WATANABE		
. ±0.4	X° ±	査閲 APPD.			
.X ±0.4	X°X ±	承認 APPD.	T.OKA		
.XX ±				質量 (MASS)	
.XXX ±					
					日本航空電子工業株式会社 JAPAN AVIATION ELECTRONICS INDUSTRY, LTD.
					図面番号 (DRAWING NO.) SJ101583
					版数 (REV.) 1

