



Chipsmall Limited consists of a professional team with an average of over 10 year of expertise in the distribution of electronic components. Based in Hongkong, we have already established firm and mutual-benefit business relationships with customers from,Europe,America and south Asia,supplying obsolete and hard-to-find components to meet their specific needs.

With the principle of “Quality Parts,Customers Priority,Honest Operation,and Considerate Service”,our business mainly focus on the distribution of electronic components. Line cards we deal with include Microchip,ALPS,ROHM,Xilinx,Pulse,ON,Everlight and Freescale. Main products comprise IC,Modules,Potentiometer,IC Socket,Relay,Connector.Our parts cover such applications as commercial,industrial, and automotives areas.

We are looking forward to setting up business relationship with you and hope to provide you with the best service and solution. Let us make a better world for our industry!



Contact us

Tel: +86-755-8981 8866 Fax: +86-755-8427 6832

Email & Skype: info@chipsmall.com Web: www.chipsmall.com

Address: A1208, Overseas Decoration Building, #122 Zhenhua RD., Futian, Shenzhen, China



SJ100465
(ON 01MVAR) 台架型図

版数 REV.	年月日 DATE	DCN NO.	変更内容 DESCRIPTION	製図 DR.	担当 CHK.	査閲 APPD.	承認 APPD.
2	10.Mar.2004	054515	ADDED ITEMS	M.YAMASHITA	T.KUDOU	—	Y.ICHIYAMA
3	12.Apr.2004	054834	ADDED ITEMS etc.	M.YAMASHITA	T.KUDOU	—	Y.ICHIYAMA
4	15.Nov.2004	056144	ADDED ITEM		H.YOKOO	—	S. Kashiro

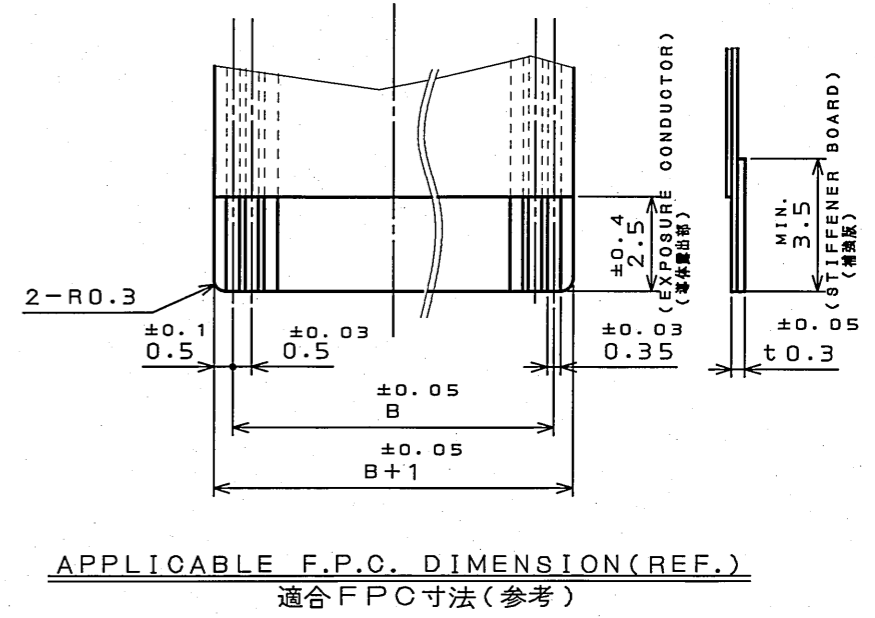
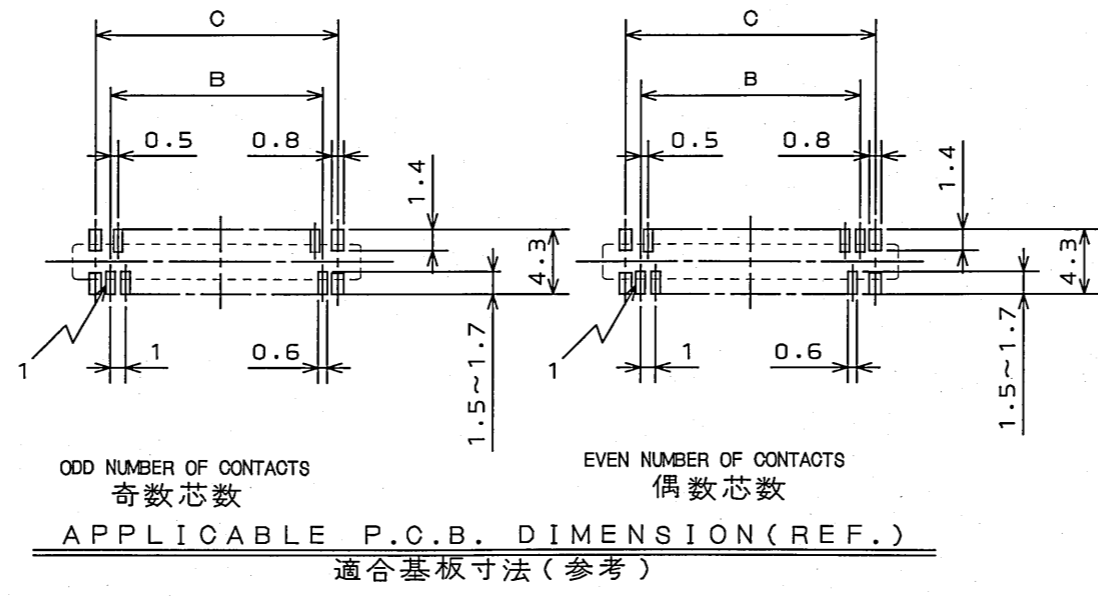
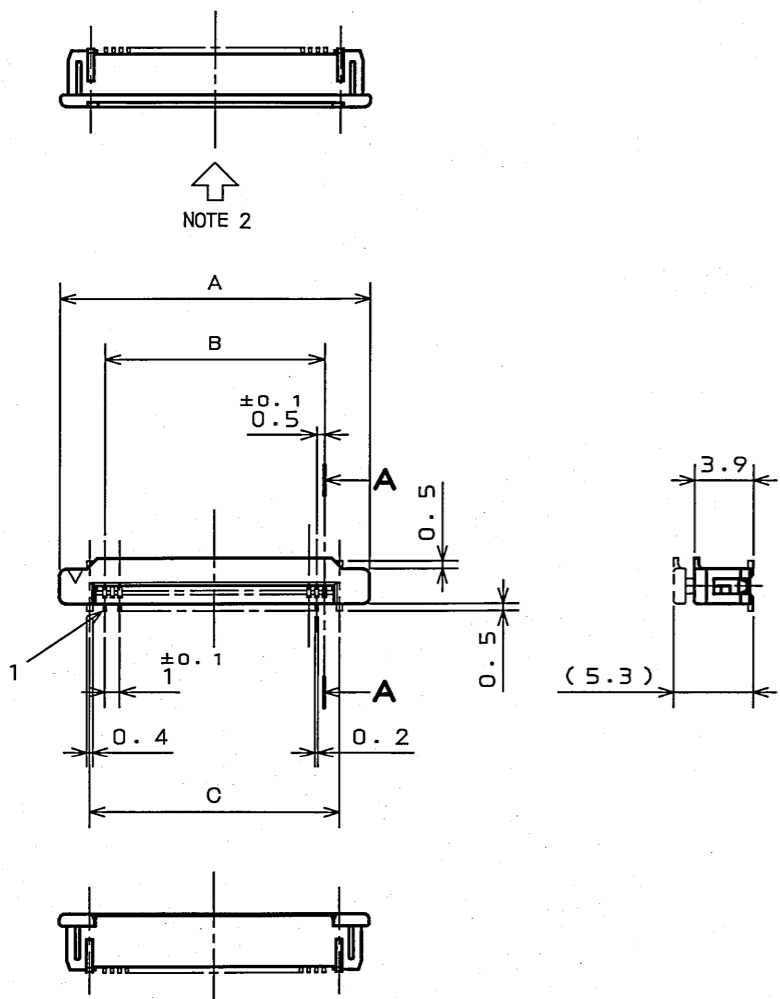


TABLE 1

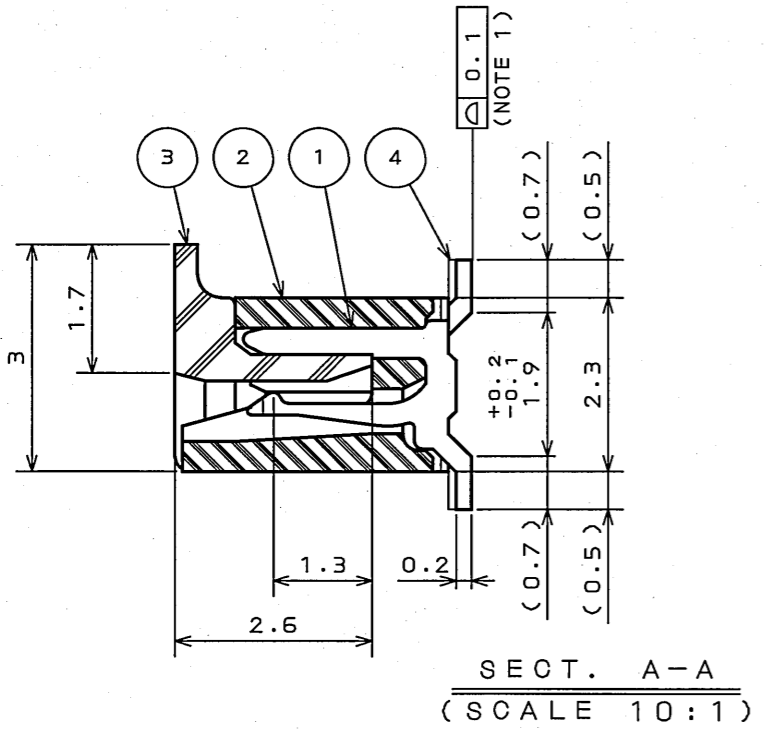
NUMBER OF CONTACTS	A	B	C
8	9.5	3.5	5.5
9	10.0	4.0	6.0
10	10.5	4.5	6.5
11	11.0	5.0	7.0
12	11.5	5.5	7.5
13	12.0	6.0	8.0
14	12.5	6.5	8.5
16	13.5	7.5	9.5
18	14.5	8.5	10.5
20	15.5	9.5	11.5
21	16.0	10.0	12.0
22	16.5	10.5	12.5
24	17.5	11.5	13.5
25	18.0	12.0	14.0
26	18.5	12.5	14.5
27	19.0	13.0	15.0
28	19.5	13.5	15.5
30	20.5	14.5	16.5
31	21.0	15.0	17.0
32	21.5	15.5	17.5
33	22.0	16.0	18.0
34	22.5	16.5	18.5
36	23.5	17.5	19.5
40	25.5	19.5	21.5

NOTE 1. OVER 35 POSITIONS, MATE CONNECTOR WITH F. P. C. , PUSH CENTER OF SLIDE INSULATOR.

NOTE 2. EXPOSURE CONDUCTORS OF F. P. C. SHOULD BE GIVEN GOLD PLATING.

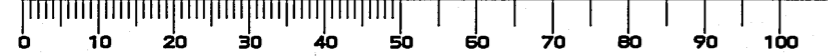
注1. 35芯以上は、スライドインシュレータ中央部を押してFPCと嵌合させること。

注2. FPCの仕上げは金メッキのこと。



4	HOLD-DOWN	2	COPPER ALLOY	(LEAD-FREE) TIN/TIN ALLOY PLATING Δ	
3	SLIDE INSULATOR	1	GLASS FILLED PPS		COLOR: WHITE UL94V-0
2	BASE INSULATOR	1	GLASS FILLED PPS		COLOR: BLACK UL94V-0
1	CONTACT	N	HIGH STRENGTH BRASS	SELECTIVE GOLD PLATING	
符号 NO.	名称 DESCRIPTION	個数 QTY.	材料 MATERIAL	仕上 FINISH	備考 REMARKS
仕様書(SPECIFICATION) JACS-10135 Δ		第1版(ORIGINAL DATE) 9.Jan.2004		尺度(SCALE) 2:1	シリーズ(SERIES) IL-FPR
一般公差(GENERAL TOLERANCE)		製図 DR. D.MACHIYARA		名称(TITLE) IL-FPR-***S -VF-N1	
寸法(DIMENSION)		担当 CHK. T.KUDOU		日本航空電子工業株式会社 JAPAN AVIATION ELECTRONICS INDUSTRY, LTD.	
角度(ANGLES)		査閲 APPD.		図面番号(DRAWING NO.) SJ100465	
. ±0.8		承認 APPD. Y.ICHIYAMA		版数 (REV.) 4	
.X ±0.4					
.XX ±0.1					
.XXX ±					
				質量(MASS)	

DOF-0-212E(03.08)



LEAD FREE この製品は鉛フリー品です