



Chipsmall Limited consists of a professional team with an average of over 10 year of expertise in the distribution of electronic components. Based in Hongkong, we have already established firm and mutual-benefit business relationships with customers from,Europe,America and south Asia,supplying obsolete and hard-to-find components to meet their specific needs.

With the principle of “Quality Parts,Customers Priority,Honest Operation,and Considerate Service”,our business mainly focus on the distribution of electronic components. Line cards we deal with include Microchip,ALPS,ROHM,Xilinx,Pulse,ON,Everlight and Freescale. Main products comprise IC,Modules,Potentiometer,IC Socket,Relay,Connector.Our parts cover such applications as commercial,industrial, and automotives areas.

We are looking forward to setting up business relationship with you and hope to provide you with the best service and solution. Let us make a better world for our industry!



Contact us

Tel: +86-755-8981 8866 Fax: +86-755-8427 6832

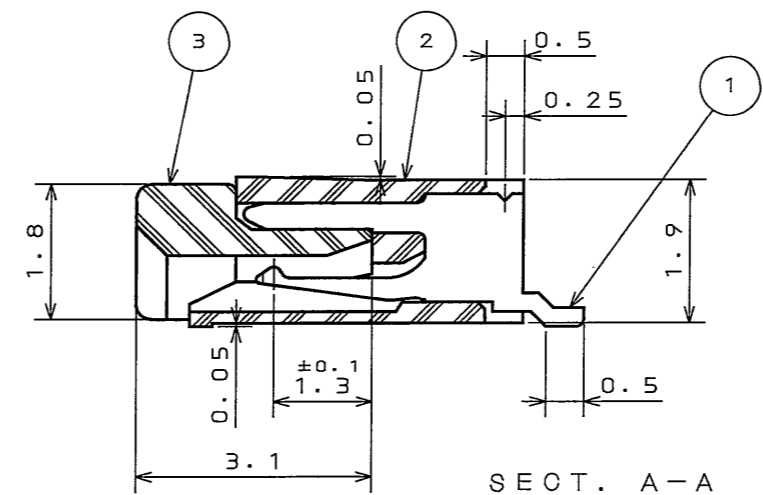
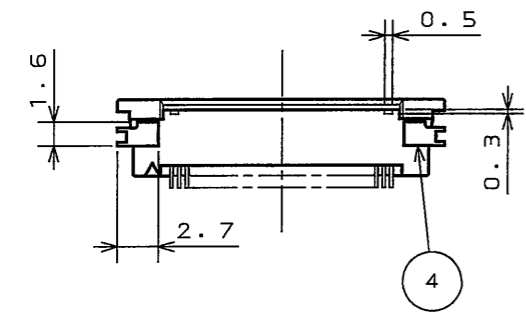
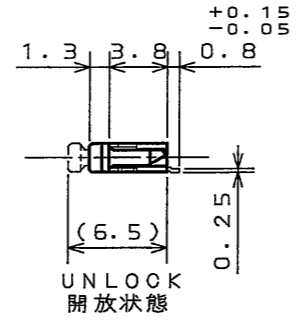
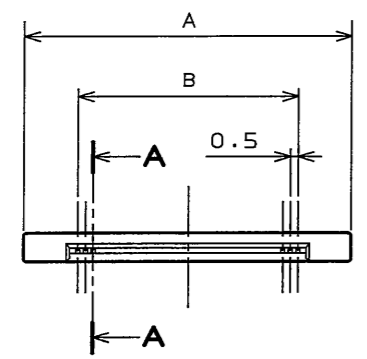
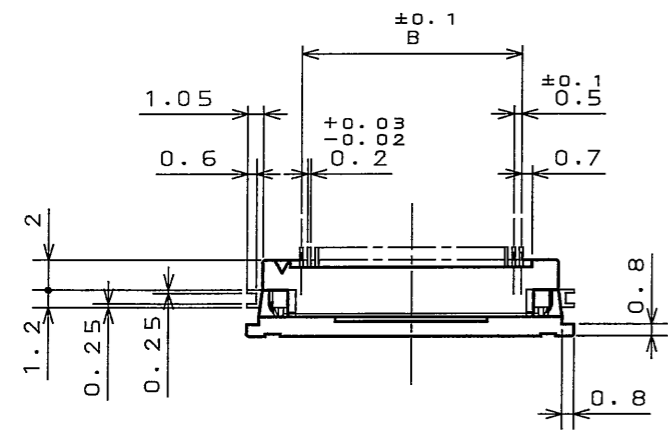
Email & Skype: info@chipsmall.com Web: www.chipsmall.com

Address: A1208, Overseas Decoration Building, #122 Zhenhua RD., Futian, Shenzhen, China

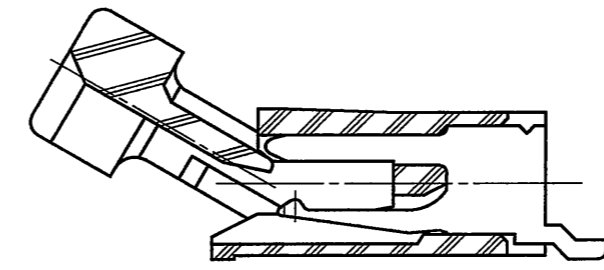


SJ100467
(DRAWING NO.) (図面番号)

版数 REV.	年月日 DATE	DCN NO.	変更内容 DESCRIPTION	製図 DR.	担当 CHK.	査閲 APPD.	承認 APPD.
2	12.Apr.2004	054834	ADDED ITEMS etc.	M.YAMASHITA	T.KUDOU	—	Y. Ichiyama



SECT. A-A
(SCALE 10:1)



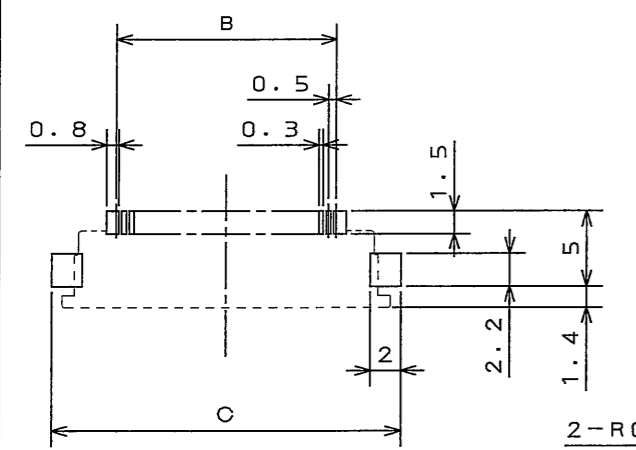
UNLOCK SLIDE INSULATOR
スライドインシュレータ開放状態

注1. F.P.Cの仕上げは金メッキのこと。

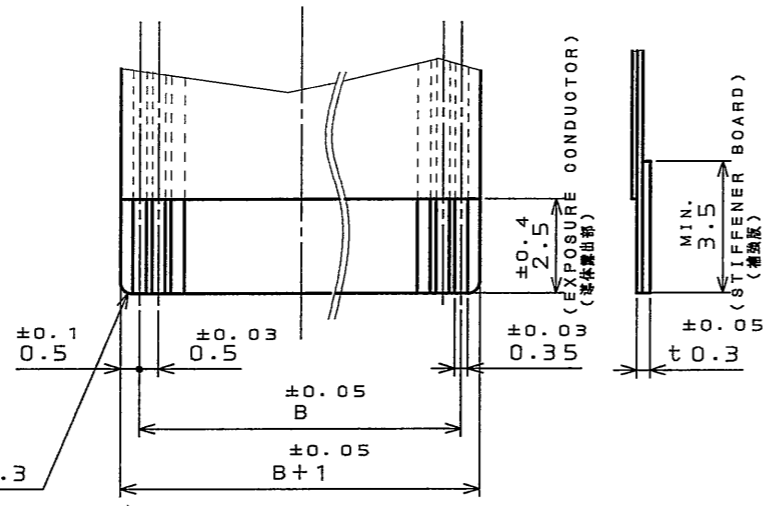
NOTE1. EXPOSURE CONDUCTORS OF F.P.C. SHOULD BE GIVEN GOLD PLATING.

TABLE 1

No. OF CONTACTS N	A	B	C
5	9.1	2.0	11.5
6	9.6	2.5	12.0
7	10.1	3.0	12.5
8	10.6	3.5	13.0
9	11.1	4.0	13.5
10	11.6	4.5	14.0
11	12.1	5.0	14.5
12	12.6	5.5	15.0
13	13.1	6.0	15.5
14	13.6	6.5	15.0
16	14.6	7.5	16.0
17	15.1	8.0	16.5
18	15.6	8.5	17.0
20	16.6	9.5	18.0
21	17.1	10.0	18.5
22	17.6	10.5	19.0
24	18.6	11.5	20.0
26	19.6	12.5	21.0
28	20.6	13.5	22.0
30	21.6	14.5	23.0
31	22.1	15.0	23.5
32	22.6	15.5	24.0
33	23.1	16.0	24.5
34	23.6	16.5	25.0
35	24.1	17.0	25.5
36	24.6	17.5	26.0
37	25.1	18.0	26.5
38	25.6	18.5	27.0
40	26.6	19.5	28.0
45	29.1	22.0	30.5
50	31.6	24.5	33.0



APPLICABLE P.C.B. DIMENSION (REF.)
適合基板寸法 (参考)



APPLICABLE F.P.C. DIMENSION (REF.)
適合F.P.C.寸法 (参考)

符号 NO.	名称 DESCRIPTION	個数 QTY.	材料 MATERIAL	仕上 FINISH	備考 REMARKS
4	HOLD-DOWN	2	COPPER ALLOY	(LEAD-FREE) TIN/TIN ALLOY PLATING	
3	SLIDE INSULATOR	1	GLASS FILLED PPS		COLOR: WHITE UL94V-0
2	BASE INSULATOR	1	GLASS FILLED PPS		COLOR: BLACK UL94V-0
1	CONTACT	N	HIGH STRENGTH BRASS	SELECTIVE GOLD PLATING	

仕様書 (SPECIFICATION) JACS-10135	第1版 (ORIGINAL DATE) 9.Jan.2004	尺度 (SCALE) 2:1	製図 (DRAWING NO.) SJ100467
公差 (GENERAL TOLERANCE) 寸法 (DIMENSION) 角度 (ANGLES)	製図 (DRAWING DR.) D.MACHIARA	名称 (TITLE) I L-FPR-***S -HF-N1	重量 (WEIGHT)
. ±0.8 .X ±0.4 .XX ±0.1 .XXX ±	担当 (CHK.) T.KUDOU 査閲 (APPD.) 承認 (APPD.) Y.ICHIYAMA	参考 (REFERENCE) Reference Only	図面番号 (DRAWING NO.) SJ100467
		航空電子工業株式会社 JAE CONNECTOR.COM AVIATION ELECTRONICS INDUSTRY, LTD.	版数 (REV.) 2

DOF-0-212E(03.08)

LEAD FREE この製品は鉛フリー品です

JAE CONNECTOR DIV. PROPRIETARY.
COPYRIGHT (C) 2004, JAPAN AVIATION ELECTRONICS INDUSTRY, LTD.