



Chipsmall Limited consists of a professional team with an average of over 10 year of expertise in the distribution of electronic components. Based in Hongkong, we have already established firm and mutual-benefit business relationships with customers from,Europe,America and south Asia,supplying obsolete and hard-to-find components to meet their specific needs.

With the principle of “Quality Parts,Customers Priority,Honest Operation,and Considerate Service”,our business mainly focus on the distribution of electronic components. Line cards we deal with include Microchip,ALPS,ROHM,Xilinx,Pulse,ON,Everlight and Freescale. Main products comprise IC,Modules,Potentiometer,IC Socket,Relay,Connector.Our parts cover such applications as commercial,industrial, and automotives areas.

We are looking forward to setting up business relationship with you and hope to provide you with the best service and solution. Let us make a better world for our industry!



Contact us

Tel: +86-755-8981 8866 Fax: +86-755-8427 6832

Email & Skype: info@chipsmall.com Web: www.chipsmall.com

Address: A1208, Overseas Decoration Building, #122 Zhenhua RD., Futian, Shenzhen, China



E6EZE0rs
('ON 0NIMVH) 各異図

版数 REV.	年月日 DATE	DCN NO.	変更内容 DESCRIPTION	製図 DR.	担当 CHK.	査閲 APPD.	承認 APPD.
2	2005.9.2	058147	誤記訂正	—	内山	—	久富
3	2010.6.15	070112	色相削除 他	斎藤(正)	内山	—	水野

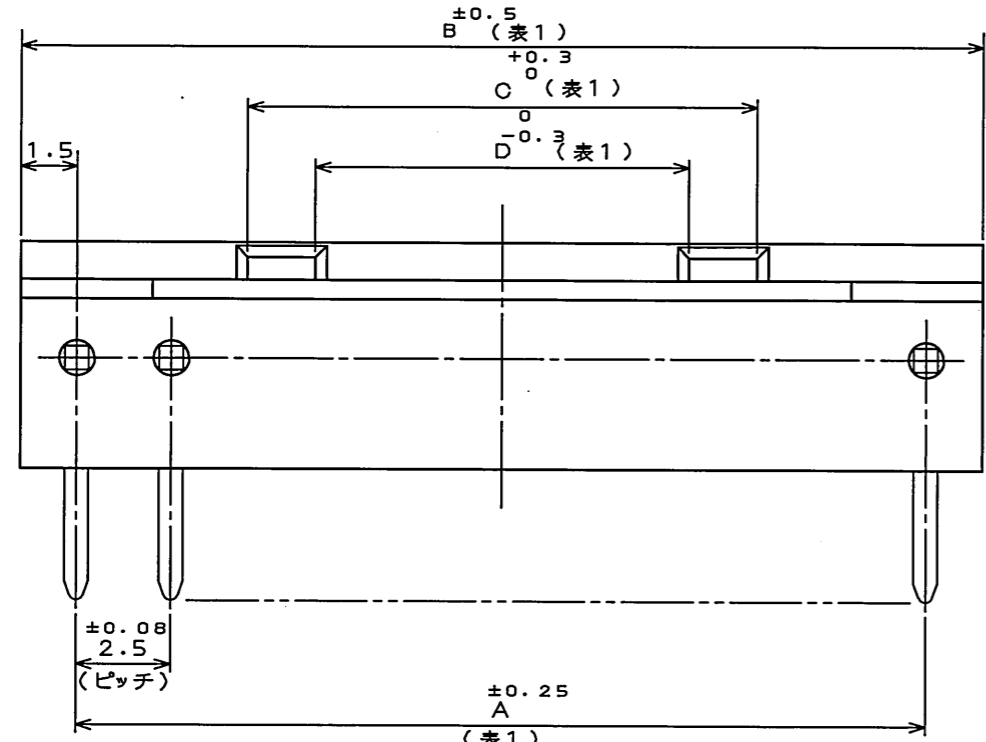
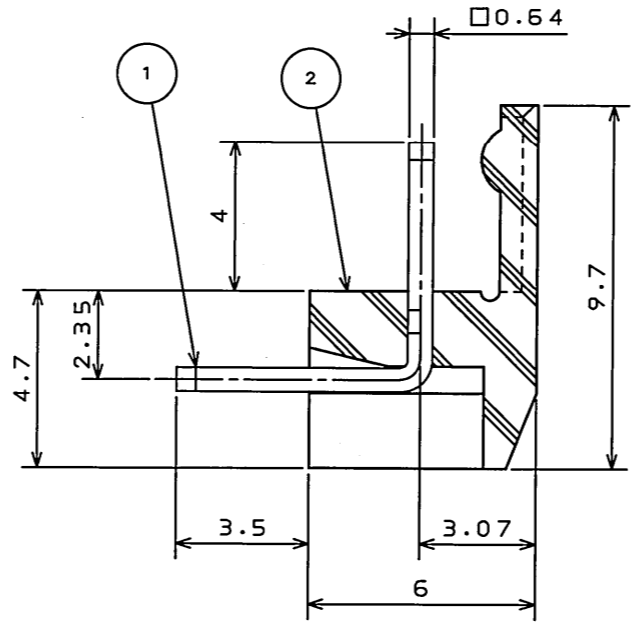
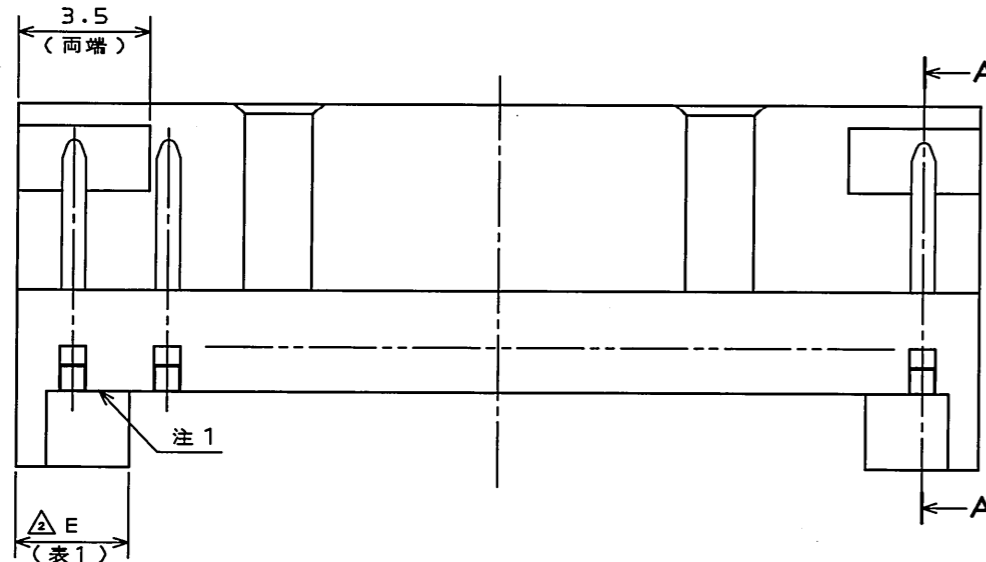
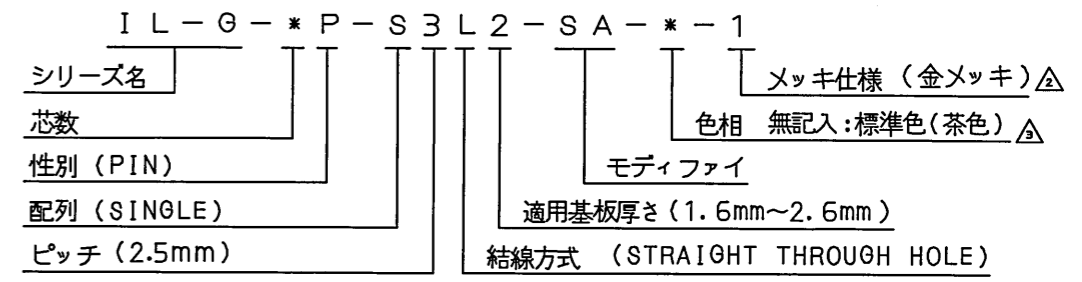


表1

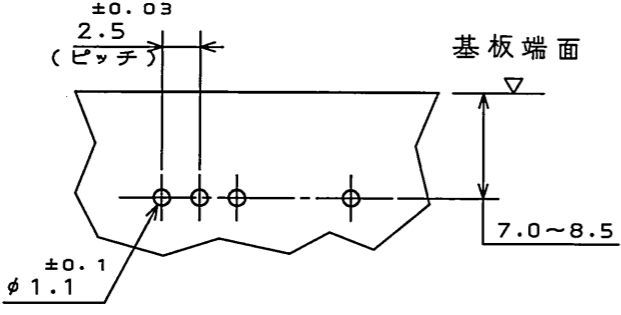
芯数	±0.25 A	±0.5 B	+0.3 C	D	E
7	15	18	6	2.4	3
8	17.5	20.5	8.5	4.9	3
9	20	23	11	7.4	3
10	22.5	25.5	13.5	9.9	3
11	25	28	16	12.4	3
12	27.5	30.5	18.5	14.9	3



命名法



注1. 社標及び金型マークをこの面に沈み彫り浮き出す。
Δ 2. コンタクト先端面取り部に、メッキは付かない。



△ 基板取付穴寸法 (参考)

2	インシュレータ	1	6-6ナイロン	UL94 V-0
1	コンタクト	表1	黄銅	Ni下地Auメッキ
符号 NO.	名称 DESCRIPTION	個数 QTY.	材料 MATERIAL	仕上 FINISH
仕様書 (SPECIFICATION)		第1版 (ORIGINAL DATE) 1997.12.12		尺度 (SCALE) 5:1
公差 (GENERAL TOLERANCE)		製図 DR. 桜田		シリーズ (SERIES) IL-G
寸法 (DIMENSION)	角度 (ANGLES)	担当 CHK. 菊池		名称 (TITLE) IL-G-*P-S3L2-SA-* - 1
. ±0.8	X° ±	査閲 APPD. 雨宮		日本航空電子工業株式会社 JAPAN AVIATION ELECTRONICS INDUSTRY, LTD.
.X ±0.4	X°X' ±	承認 APPD. 森野		
.XX ±0.1				
.XXX ±				図面番号 (DRAWING NO.) SJ032393
質量 (MASS)				版数 (REV.) 3

DOF-0-212E(05.08)

