



Chipsmall Limited consists of a professional team with an average of over 10 year of expertise in the distribution of electronic components. Based in Hongkong, we have already established firm and mutual-benefit business relationships with customers from,Europe,America and south Asia,supplying obsolete and hard-to-find components to meet their specific needs.

With the principle of “Quality Parts,Customers Priority,Honest Operation,and Considerate Service”,our business mainly focus on the distribution of electronic components. Line cards we deal with include Microchip,ALPS,ROHM,Xilinx,Pulse,ON,Everlight and Freescale. Main products comprise IC,Modules,Potentiometer,IC Socket,Relay,Connector.Our parts cover such applications as commercial,industrial, and automotives areas.

We are looking forward to setting up business relationship with you and hope to provide you with the best service and solution. Let us make a better world for our industry!



Contact us

Tel: +86-755-8981 8866 Fax: +86-755-8427 6832

Email & Skype: info@chipsmall.com Web: www.chipsmall.com

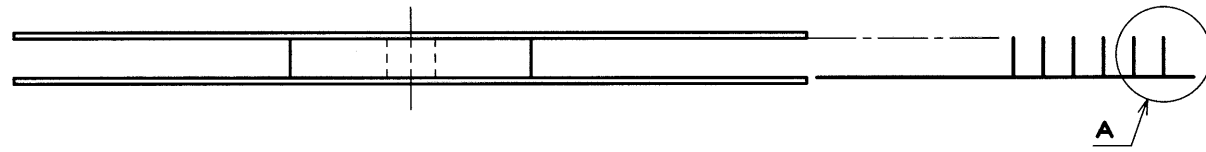
Address: A1208, Overseas Decoration Building, #122 Zhenhua RD., Futian, Shenzhen, China



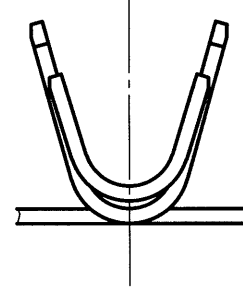
SJ022539

(ON DRAWING) 台要図

版数 REV.	年月日 DATE	DCN NO.	変更内容 DESCRIPTION	製図 DR.	担当 CHK.	査閲 APPD.	承認 APPD.
2	19.May.1988	23868	REVISED NOTE	KAMAHORI	KAMAHORI	Y.NISHINO	H.FUJINO
3	2.Dec.1988	24647	REVISED DIMENSION	E.MURANO	KAMAHORI	T.MIYASHITA	H.FUJINO
4	8.Sep.1989	25662	REVISED MAGAZINE FORM	J.HAYAKAWA	N.KATOU	T.MIYASHITA	H.FUJINO
5	31.Jul.1991	29097	DELETE NOTE 3	G.KITADA J.HAYAKAWA	H.AMEMIYA	T.MIYASHITA	H.FUJINO
6	10.Aug.1992	30839	CORRECT FORM		K.HAYASHI	T.MORINO	H.FUJINO
7	14.Apr.1995	35858	CONTACT FINISH INDICATE		T.MASUMOTO	H.AMEMIYA	T.MORINO
8	29.Aug.2002	50529	REDRAWN	M.TANAKA	H. Takahashi S.MAJIMA	K. Kawase S. Nishino	S. Nishino H. Fujino

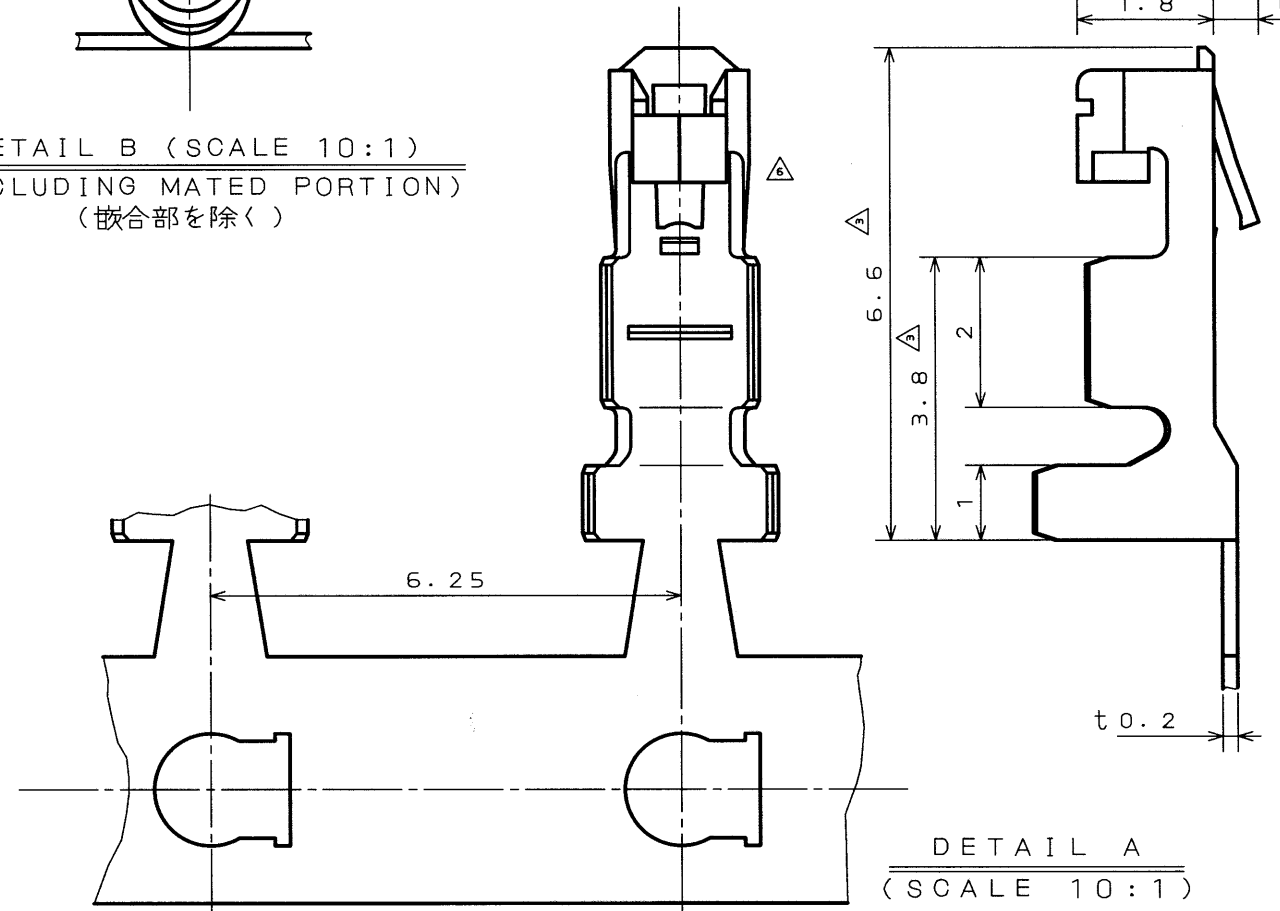
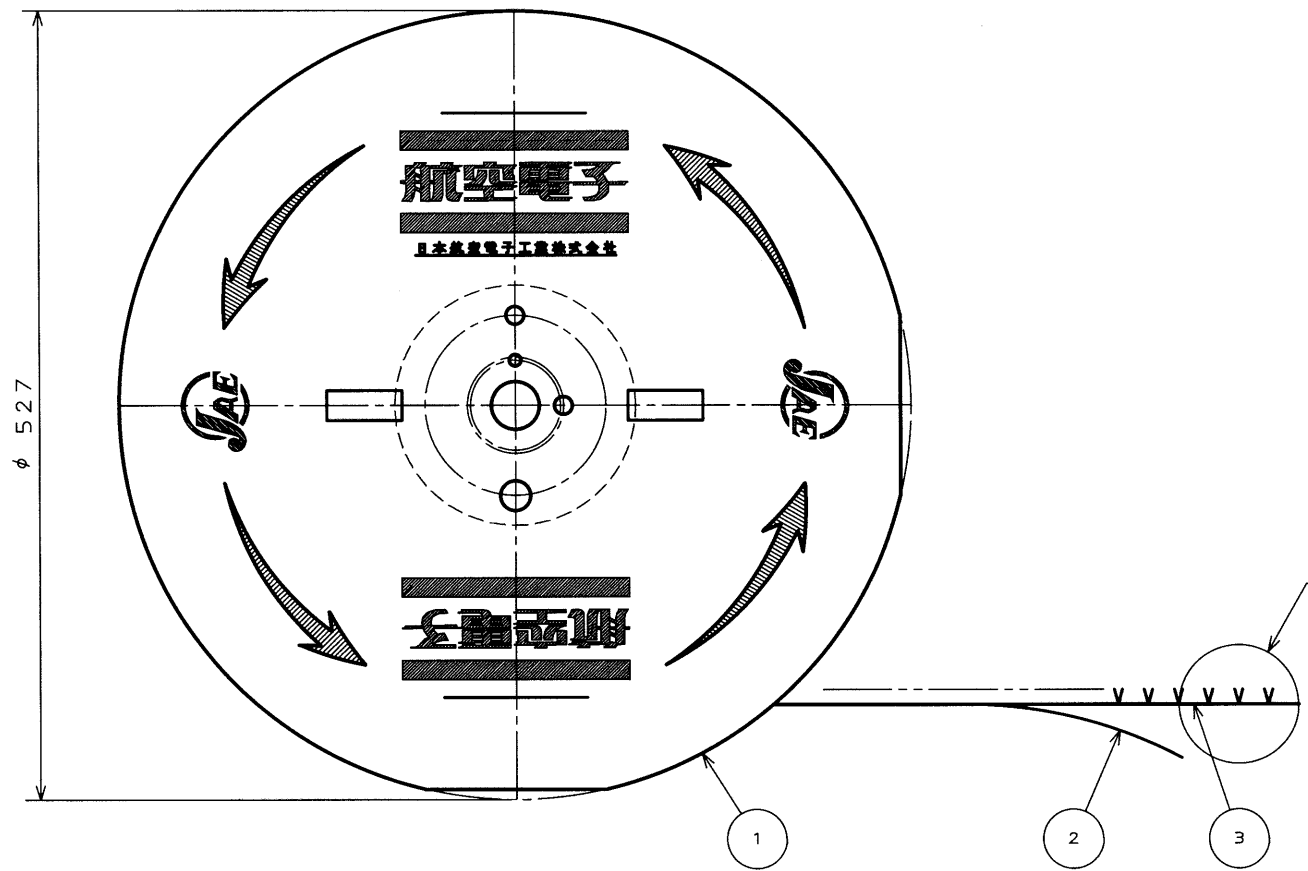
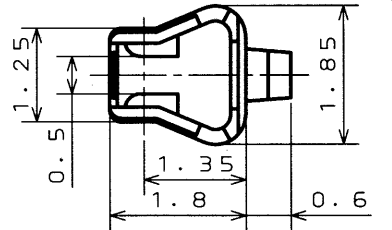


A



DETAIL B (SCALE 10:1)
(EXCLUDING MATED PORTION)
(嵌合部を除く)

EXCLUDING CRIMP POT
(クリンプポット部を除く)



DETAIL A
(SCALE 10:1)

NOTE1. APPLICABLE WIRE: #22~#28AWG, STRANDED.
INSULATION OUTER DIAMETER: $\phi 1.0 \sim \phi 1.7$.
TUBE OUTER DIAMETER COVERING SHIELDED WIRE: $\phi 1.9$ MAX.

2. NO PLATING ON THE SEARING AREAS.

注1. 使用電線はAWG#22~#28の撚線とし、仕上り外径は $\phi 1.0 \sim \phi 1.7$ とする。
 Δ シールドに被せるチューブ外径 $\phi 1.9$ 以下

2. 剪断面に、めっきは付かない。

3	SOCKET CONTACT	10000	PHOSPHOR BRONZE	TIN PLATING Δ	
2	TAPE	1	PAPER		
1	MAGAZINE	1	PAPER		
符号 NO.	名称 DESCRIPTION	個数 QTY.	材料 MATERIAL	仕上 FINISH	備考 REMARKS
仕様書 (SPECIFICATION)		第1版 (ORIGINAL DATE)		尺度 (SCALE)	
JACS-1166-※ (IL-0 SERIES)		19.Sep.1987		IL-0	
JACS-1243 (IL-0M SERIES)		製図 DR.		名称 (TITLE)	
公差 (GENERAL TOLERANCE)		担当 CHK.		IL-0-C2-SC-10000	
寸法 (DIMENSION)		査閲 APPD.		(MAGAZINE ASSEMBLY)	
. ± 0.8		承認 APPD.		重量 (WEIGHT)	
.X ± 0.5		承認 APPD.		面番 (DRAWING NO.)	
.XX ± 0.2				SJ022539	
.XXX \pm				版数 (REV.)	
				8	

JAE-CONNECTOR.COM

Reference Only

JAE AVIATION ELECTRONICS INDUSTRY, LTD.

図面番号 (DRAWING NO.)

SJ022539

DOF-0-212D(98.02)