



Chipsmall Limited consists of a professional team with an average of over 10 year of expertise in the distribution of electronic components. Based in Hongkong, we have already established firm and mutual-benefit business relationships with customers from,Europe,America and south Asia,supplying obsolete and hard-to-find components to meet their specific needs.

With the principle of “Quality Parts,Customers Priority,Honest Operation,and Considerate Service”,our business mainly focus on the distribution of electronic components. Line cards we deal with include Microchip,ALPS,ROHM,Xilinx,Pulse,ON,Everlight and Freescale. Main products comprise IC,Modules,Potentiometer,IC Socket,Relay,Connector.Our parts cover such applications as commercial,industrial, and automotives areas.

We are looking forward to setting up business relationship with you and hope to provide you with the best service and solution. Let us make a better world for our industry!



Contact us

Tel: +86-755-8981 8866 Fax: +86-755-8427 6832

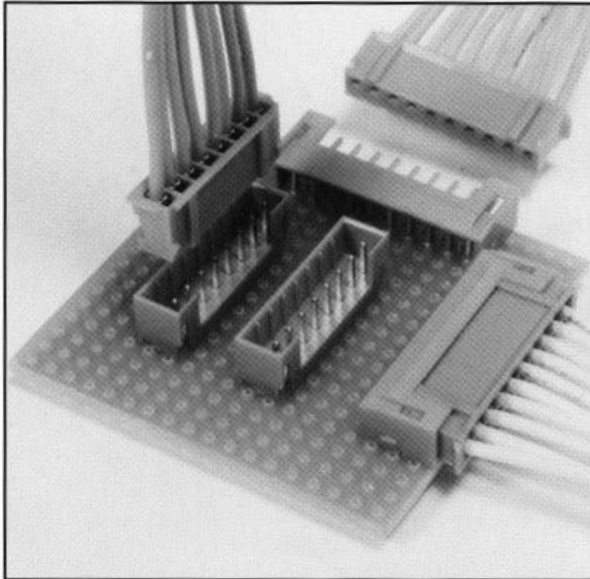
Email & Skype: info@chipsmall.com Web: www.chipsmall.com

Address: A1208, Overseas Decoration Building, #122 Zhenhua RD., Futian, Shenzhen, China



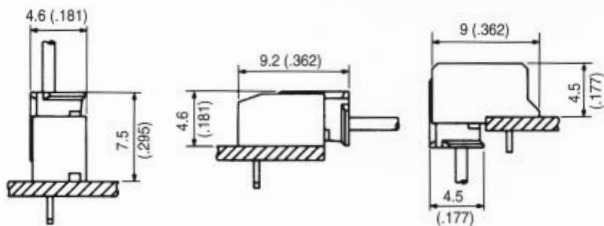
IL-S SERIES CONNECTORS

2.0mm (.079") Contact Spacing, PCB-to-Cable (Crimp Type) Connectors



FEATURES

- Box type pin header prevents mismatching
- Highly reliable socket contacts
- Both semi-automatic crimp termination machine and hand crimping tool are available
- Design prevents flux wicking
- Pin headers are available in straight, right angle and bottom through hole types



• • • • •

IL-S Series connectors are low profile connectors with 2.0mm (.079") contact spacing for PCB-to-Cable applications.

High reliable crimp termination socket contacts permit fast and simple semi-automatic termination, resulting in labor and cost savings.

IL-S Series connectors are ideal for use in VTR, television, audio and other consumer electronic products. Additional applications include OA equipment, computers, measuring equipment, telecommunications, and vending machines.

GENERAL SPECIFICATIONS

Number of Contacts	2 to 15 (Bottom type – 2 to 12)
Contact Spacing	2.0mm (.079"), single row
Current Rating	3 Amps
Operating Voltage	300 VAC, 400 VDC
Dielectric Withstanding Voltage	1,000 VAC r.m.s. (one minute)
Insulation Resistance	100 megohms min.
Contact Resistance	20 milliohms max.
Applicable Wire	#24 to #28 AWG, stranded
Applicable PCB Thickness	1.2 to 1.6mm (.047" to .063")
Operating Temperature	-40°C to +85°C

MATERIALS AND FINISHES

Description	Materials/Finishes
Insulator	6-6 Nylon (UL94V-0, Light Brown)
Pin Contact	Brass/Tin plating over Nickel
Socket Contact	Phosphor Bronze/Tin Plated

Dimensions and specifications subject to change without notice.



Hong Kong
Tel: 2723-7782
Fax: 2723-9028

Japan
03-3780-2715
03-3780-2883

Korea
2-551-8959
2-551-8958

Philippines
46-433-0276
46-433-0287

Singapore
748-1332
748-2920

Taiwan
02-555-9711
02-556-5424

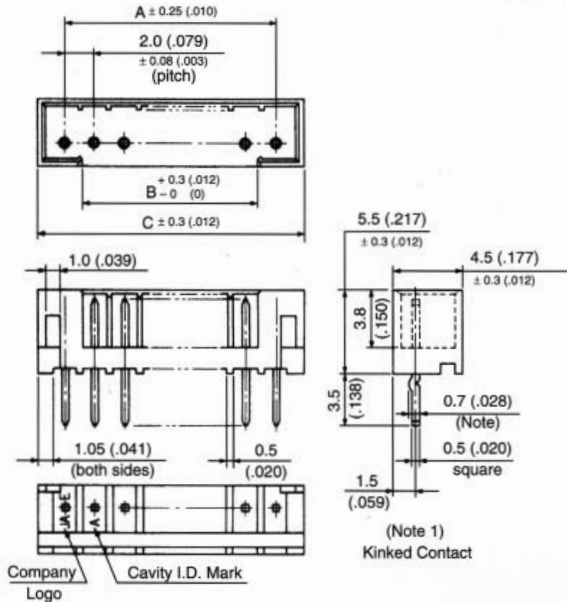
Europe
1276-21717
1276-66165

United States
949-753-2600
949-753-2699

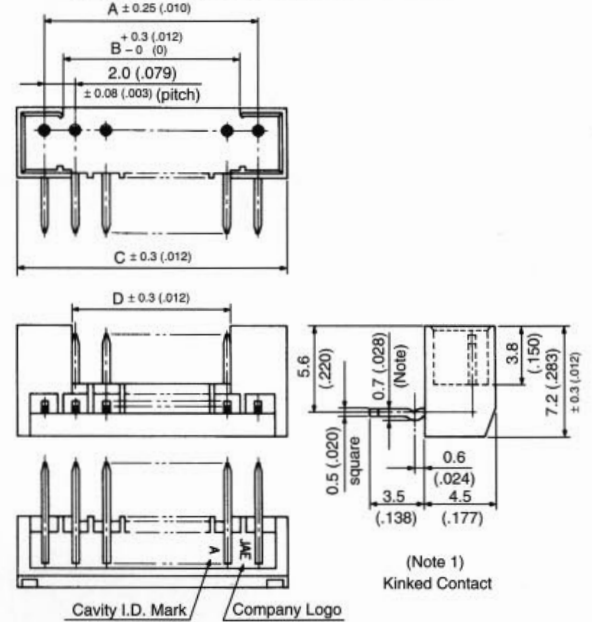
IL-S SERIES CONNECTORS

2.0mm (.079") Contact Spacing, PCB-to-Cable (Crimp Type) Connectors

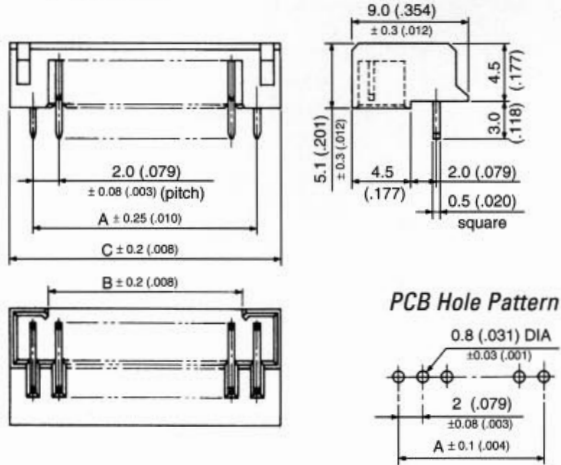
STRAIGHT PIN HEADER: IL-S-*P-S2T2-EF



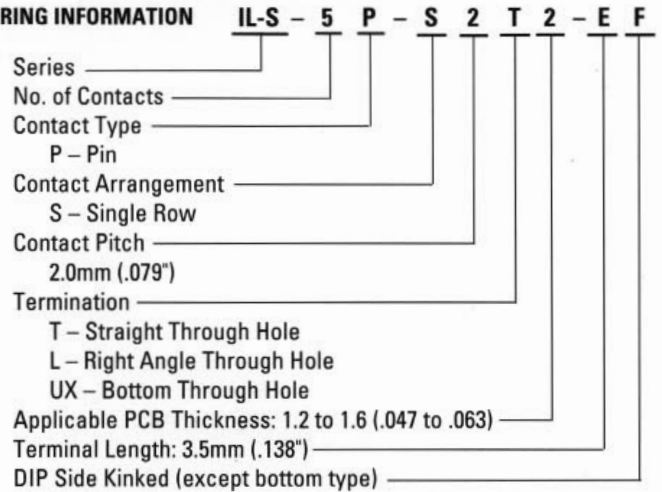
ANGLE PIN HEADER: IL-S-*P-S2L2-EF



BOTTOM PIN HEADER: IL-S-*P-S2UX2-E



ORDERING INFORMATION



No. of Contacts	Part Number			A	B	C	D ± 0.3 (± .012)
	Straight Pin Header	Angle Pin Header	Bottom Pin Header				
2	IL-S- 2P-S2T2-EF	IL-S- 2P-S2L2-EF	IL-S- 2P-S2UX2-E	2 (.079)	0.8 (.031)	5.6 (.220)	0.5 (.012)
3	IL-S- 3P-S2T2-EF	IL-S- 3P-S2L2-EF	IL-S- 3P-S2UX2-E	4 (.157)	1.6 (.063)	7.6 (.230)	0.5 (.012)
4	IL-S- 4P-S2T2-EF	IL-S- 4P-S2L2-EF	IL-S- 4P-S2UX2-E	6 (.236)	3.6 (.142)	9.6 (.378)	2.5 (.098)
5	IL-S- 5P-S2T2-EF	IL-S- 5P-S2L2-EF	IL-S- 5P-S2UX2-E	8 (.315)	5.6 (.220)	11.6 (.457)	4.5 (.177)
6	IL-S- 6P-S2T2-EF	IL-S- 6P-S2L2-EF	IL-S- 6P-S2UX2-E	10 (.394)	7.6 (.299)	13.6 (.535)	6.5 (.256)
7	IL-S- 7P-S2T2-EF	IL-S- 7P-S2L2-EF	IL-S- 7P-S2UX2-E	12 (.472)	9.6 (.378)	15.6 (.614)	8.5 (.335)
8	IL-S- 8P-S2T2-EF	IL-S- 8P-S2L2-EF	IL-S- 8P-S2UX2-E	14 (.551)	11.6 (.457)	17.6 (.693)	10.5 (.413)
9	IL-S- 9P-S2T2-EF	IL-S- 9P-S2L2-EF	IL-S- 9P-S2UX2-E	16 (.630)	13.6 (.535)	19.6 (.772)	12.5 (.492)
10	IL-S-10P-S2T2-EF	IL-S-10P-S2L2-EF	IL-S-10P-S2UX2-E	18 (.709)	15.6 (.614)	21.6 (.850)	14.5 (.571)
11	IL-S-11P-S2T2-EF	IL-S-11P-S2L2-EF	IL-S-11P-S2UX2-E	20 (.787)	17.6 (.693)	23.6 (.929)	16.5 (.650)
12	IL-S-12P-S2T2-EF	IL-S-12P-S2L2-EF	IL-S-12P-S2UX2-E	22 (.866)	19.6 (.772)	25.6 (1.008)	18.5 (.728)
13	IL-S-13P-S2T2-EF	IL-S-13P-S2L2-EF	—	24 (.945)	21.6 (.850)	27.6 (1.087)	20.5 (.807)
14	IL-S-14P-S2T2-EF	IL-S-14P-S2L2-EF	—	26 (1.024)	23.6 (.929)	29.6 (1.165)	22.5 (.886)
15	IL-S-15P-S2T2-EF	IL-S-15P-S2L2-EF	—	28 (1.102)	25.6 (1.008)	31.6 (1.244)	24.5 (.965)

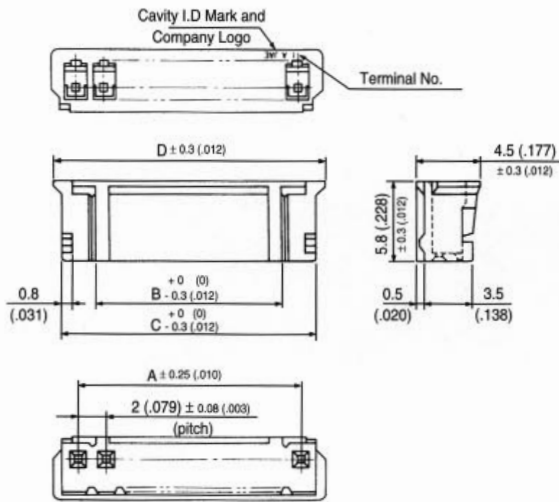
Note 1: Insulator colors - Red, Black, Green, White are available other than standard Light Brown. Please consult JAE for details.

Dimensions in mm (inches).

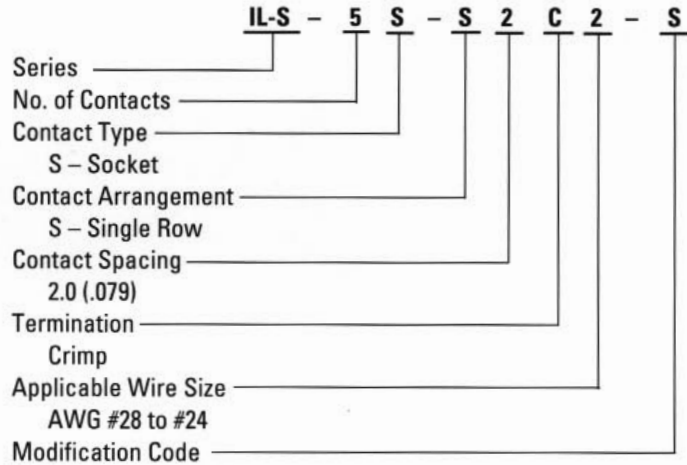
IL-S SERIES CONNECTORS

2.0mm (.079") Contact Spacing, PCB-to-Cable (Crimp Type) Connectors

SOCKET HOUSING: IL-S-*S-S2C2-S



ORDERING INFORMATION

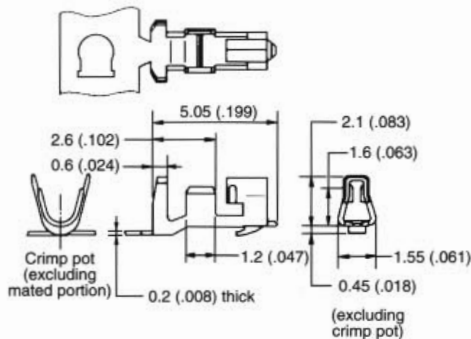


No. of Contacts	Part Number	A ± 0.25 (± .010)	B 0 (0) -0.3 (-.012)	C 0 (0) -0.3 (-.012)	D ± 0.3 (± .012)
2	IL-S- 2S-S2C2-S	2 (.079)	0.7 (.028)	4.5 (.177)	5.6 (.220)
3	IL-S- 3S-S2C2-S	4 (.157)	1.5 (.059)	6.5 (.256)	7.6 (.230)
4	IL-S- 4S-S2C2-S	6 (.236)	3.5 (.138)	8.5 (.335)	9.6 (.378)
5	IL-S- 5S-S2C2-S	8 (.315)	5.5 (.217)	10.5 (.413)	11.6 (.457)
6	IL-S- 6S-S2C2-S	10 (.394)	7.5 (.295)	12.5 (.492)	13.6 (.535)
7	IL-S- 7S-S2C2-S	12 (.472)	9.5 (.374)	14.5 (.570)	15.6 (.614)
8	IL-S- 8S-S2C2-S	14 (.551)	11.5 (.453)	16.5 (.650)	17.6 (.693)
9	IL-S- 9S-S2C2-S	16 (.630)	13.5 (.531)	18.5 (.728)	19.6 (.772)
10	IL-S- 10S-S2C2-S	18 (.709)	15.5 (.610)	20.5 (.807)	21.6 (.850)
11	IL-S- 11S-S2C2-S	20 (.787)	17.5 (.689)	22.5 (.886)	23.6 (.929)
12	IL-S- 12S-S2C2-S	22 (.866)	19.5 (.768)	24.5 (.965)	25.6 (1.008)
13	IL-S- 13S-S2C2-S	24 (.945)	21.5 (.846)	26.5 (1.043)	27.6 (1.087)
14	IL-S- 14S-S2C2-S	26 (1.024)	23.5 (.925)	28.5 (1.122)	29.6 (1.165)
15	IL-S- 15S-S2C2-S	28 (1.102)	25.5 (1.004)	30.5 (1.201)	31.6 (1.244)

SOCKET CONTACT (CRIMP TYPE)

Part Number: IL-S-C2-S-10000

10000 contacts/reel



Applicable Wire (Stranded)		Hand Crimping Tool
AWG No.	Wire Insulation Outer Dia.	
#28 to #26	ø1.0 to ø1.3mm (.039 to .051")	CT150-2-ILS CT150-4-ILS
#26 to #24	ø1.2 to ø1.6mm (.047 to .063")	
#28 to #26	ø0.7 to ø1.0mm (.028 to .039")	CT150-2-ILSmk2
#26 to #24	ø0.9 to ø1.2mm (.035 to .047")	

Semi-Automatic Crimping Machine: CT350-2-ILS

Contact Extraction Tool: ET-ILS-N03

Dimensions in mm (inches).



Hong Kong
Tel: 2723-7782
Fax: 2723-9028

Japan
03-3780-2715
03-3780-2883

Korea
2-551-8959
2-551-8958

Philippines
46-433-0276
46-433-0287

Singapore
748-1332
748-2920

Taiwan
02-555-9711
02-556-5424

Europe
1276-21717
1276-66165

United States
949-753-2600
949-753-2699